

**TOWN SQUARE® S ABOVE COUNTER VANITY SINK and OPTIONAL FURNITURE**

- 0298008** Faucet holes on 8" (203mm) centers
- 0298001** Faucet holes - center hole only
  - Vitreous china
  - Rectangular above counter vanity sink
  - Rear overflow
  - Design coordinates with Town Square® S Collection
  - Supplied with cut-out template
  - Sink can be used with washstand furniture

**Bowl size:**

17-3/8" (442 mm) wide  
 12" (305 mm) front-to-back  
 4-5/8" (118 mm) deep

**Nominal Dimensions:**

*Above Counter Vanity Sink Only:*  
 31" x 22-1/2" (787 x 571 mm)

*Above Counter Vanity Sink and Furniture Combinations:*  
 31" x 22-1/2" x 35" (787 x 571 x 889 mm)

- 9056030** Washstand less towel bar
- 3829000** Towel bar for washstand
- 7720018** Optional decorative p-trap drain

**Compliance Certifications -**

**Meets or Exceeds the Following Specifications:**

- ASME A112.19.2/CSA B 45.1



**Town Square S vanity sink 0298008 shown with 9056030 washstand and 3829000 towel bar**

SEE REVERSE FOR ROUGHING-IN DIMENSIONS

**To Be Specified:**

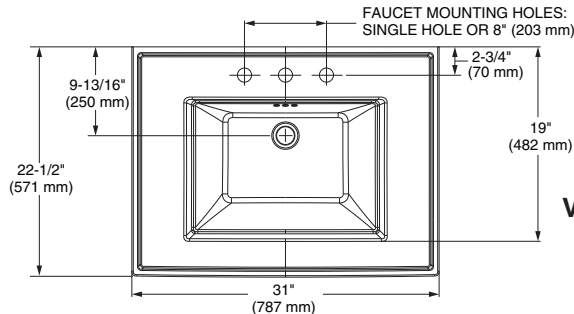
- Chinaware Color:  White  Linen
- Washstand Finish:  White  Dark Cherry
- Washstand Towel Bar Finish:  Chrome  Brushed Nickel
- Faucet:\*
- Supplies:
- P-Trap Finish:  Chrome  Brushed Nickel

\* See Town Square S faucet section for models available

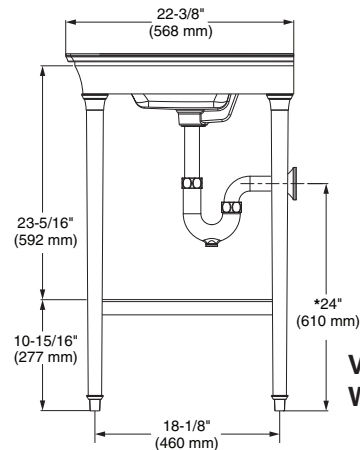
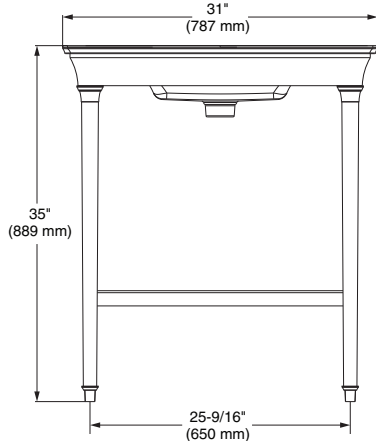


**MEETS THE AMERICANS WITH DISABILITIES ACT GUIDELINES AND ICC ANSI A117.1 ACCESSIBLE AND USABLE BUILDINGS AND FACILITIES - CHECK LOCAL CODES.**

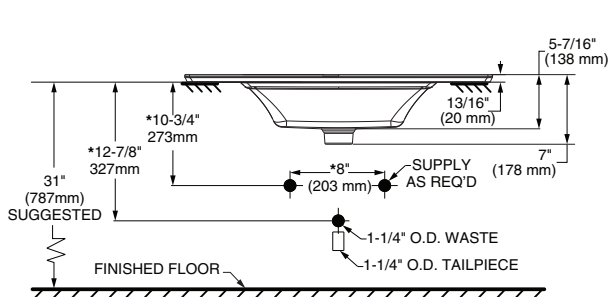
Install lavatory 34" (864mm) from finished floor.  
 Lavatory installed 1-1/2" (38mm) minimum from front edge of countertop provides 27" (686mm) knee clearance area.  
 Not compliant when used with optional furniture.



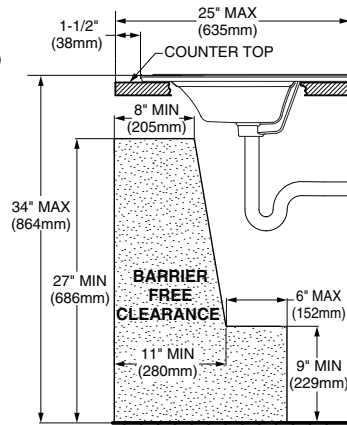
VANITY TOP VIEW



VANITY WITH WASHSTAND



VANITY WITH COUNTER



SUGGESTED ADA INSTALLATION

**NOTES:**

\* DIMENSIONS SHOWN FOR LOCATION OF SUPPLIES AND "P" TRAP ARE SUGGESTED.  
 FITTINGS NOT INCLUDED WITH FIXTURE AND MUST BE ORDERED SEPARATELY.  
 FOR COUNTERTOP CUTOUT AND INSTALLATION INSTRUCTIONS USE TEMPLATE SUPPLIED WITH SINK.  
 FURNITURE SPECIFIC INSTRUCTIONS SUPPLIED WITH OPTIONAL FURNITURE.

**IMPORTANT:** Dimensions of fixtures are nominal and may vary within the range of tolerances established by ANSI Standard A112.19.2. These measurements are subject to change or cancellation. No responsibility is assumed for use of superseded or voided pages.