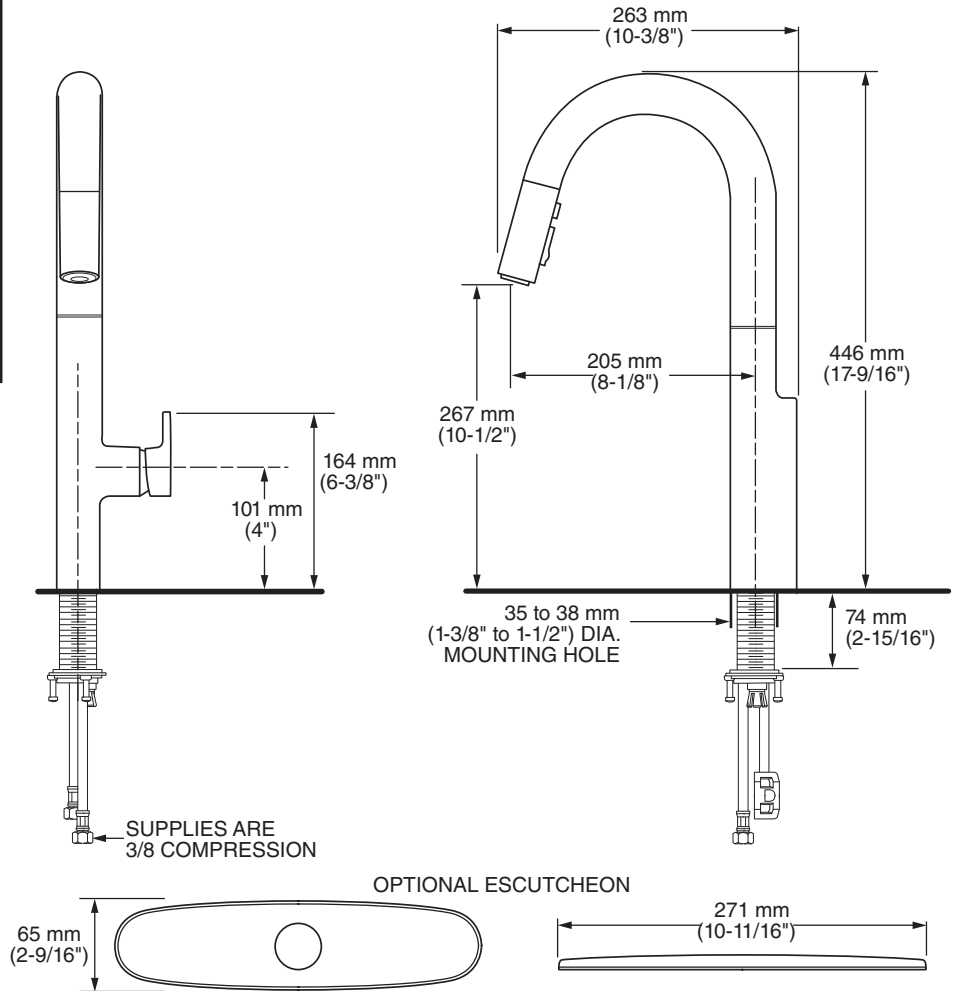




MODEL NUMBER:

☐ 4931.300 Pull-Down Kitchen Faucet



GENERAL DESCRIPTION:

Single control kitchen faucet featuring brass swivel spout and two function spray head with pause. 35 mm ceramic disc valve cartridge, metal body and ADA metal lever handle. Includes 39" integrated color coded braided stainless steel supply hoses with 3/8" compression connections. Durable braided nylon spray hose is complete with two integral check valves. Maximum flow rate is 1.5 gpm / 5.7 L/ min. Metal mounting shank with brass fixation ring. Fitting can be mounted with or without escutcheon plate (sold separately).

PRODUCT FEATURES:

Dock-Tite™ spray-head docking system: Magnetic technology to ensure spray head remains in place when not in use.

Re-Trax™ spray head retraction system: Spray hose technology system to ensure smooth pull-out, operation, and retraction of spray head.

Ceramic Disc Valve Cartridge: Precise temperature and flow control with a lifetime of drip-free, maintenance-free performance.

Lead Free: Faucet contains ≤ 0.25% total lead content by T average.

Integral Check Valves: Prevents back flow.



ADA COMPLIANT

LEAD FREE

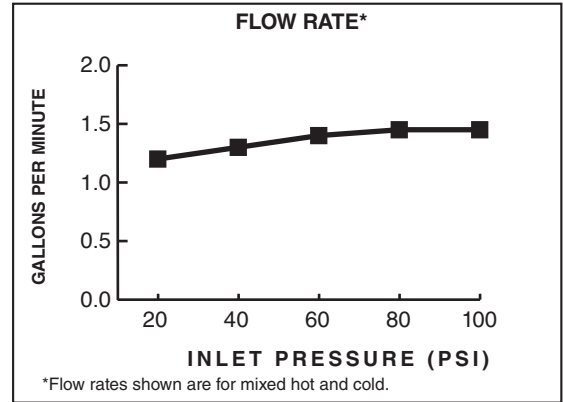
SUGGESTED SPECIFICATION:

Single control kitchen pull-down faucet shall feature a high arc brass swivel spout with pull-down two-function spray, and metal lever handle. Shall also feature 35 mm washerless ceramic disc valve cartridge and flexible Stainless Steel supply hoses. Faucet shall be American Standard Model # 4931.300.____.

CODES AND STANDARDS

These products meet or exceed the following codes and standards:

- ANSI A117.1**
- ASME A112.18.1**
- CSA B125.1**
- NSF 61/Section 9**
- NSF 372**



1.5 gpm/5.7 L/min. FLOW RATE

Product Number	Description	Finish Options	
		Polished Chrome	PVD Stainless Steel
		002	075
4931.300	Beale Pull-Down Kitchen Faucet.		

 Meets the American Disabilities Act Guidelines and **ANSI A117.1** Requirements for the physically challenged.