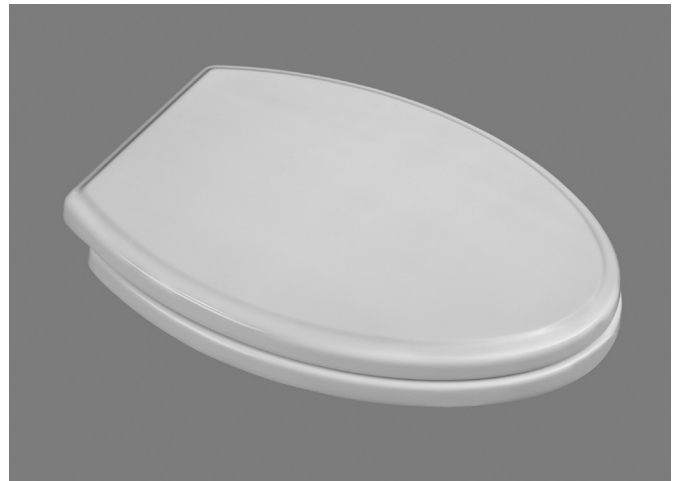


**TRADITIONAL LUXURY EASY LIFT-OFF TOILET SEATS WITH SLOW-CLOSE AND EVERCLEAN®**

- 5020A65G** Elongated toilet seat
- 5020B65G** Round Front toilet seat
- **EVER-TITE™ Stabilizing Hinge** to prevent the seat from shifting side to side
- **Slow-close** seat and lid for user convenience
- Two Button-push **Removable Seat** for easier cleaning of the seat & bowl – **No Tools Required**
- **EverClean®** silver-based surface permanently inhibits the growth of stain and odor causing bacteria, mold and mildew on the surface.  
**EverClean®** surface does not protect against disease causing bacteria.
- Traditional styled solid seat with cover can be installed from either the top or bottom of the bowl
- **Universal Bowl Fit** with Top & Bottom Mounting Hardware Included
- **Durable Seats** Made From Polypropylene Plastic
- Elongated Seat weighs 4.4 lbs.(2 kg)
- Round Front Seat weighs 4.3 lbs. (1.93 kg)

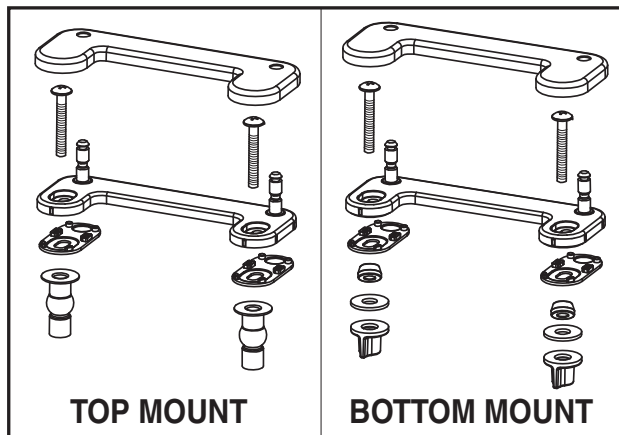


SHOWN: CONVENIENT SLOW-CLOSE FEATURE

SHOWN: TWO PUSH BUTTON LIFT OFF FEATURE

**AVAILABLE SPARE PARTS**

- **760234-100.XXX0A** Universal Seat Mounting Kit includes top and bottom mounting hardware



SEE REVERSE FOR ROUGHING-IN DIMENSIONS AND PRODUCT SPECIFICATIONS

**To Be Specified**  
 Color:  White  Linen

