

**TOWNSEND® 60" x 30" SOLID SURFACE
SHOWER BASE**

- 6030SMLHOL** Low Threshold
Left Side Trench Drain
- 6030SMRHOL** Low Threshold
Right Side Trench Drain

Product Features:

- Durable 100% solid, non-porous material
- Smooth matte surface
- Integral 3-sided 1" tiling / water retention flange for easy installation
- Low 2" threshold height
- Repairable and renewable surface
- Does not support bacteria and fungi growth
- Self-extinguishing
- UV resistant
- Resistant to stains and impact
- Easy maintenance and cleaning
- Drain not included

Nominal Dimensions:

60" x 30" x 2"
(1524 x 762 x 51mm)

Shower Base Includes:

- Removable solid surface trench drain cover

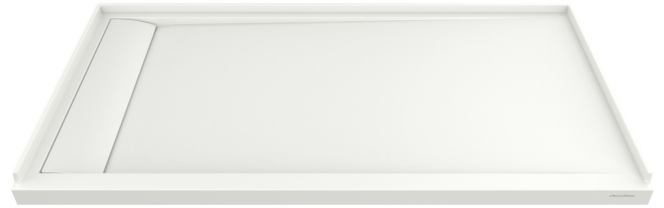
Compliance Certifications -

Meets or Exceeds the Following Specifications:

- CSA B45.5 / IAPMO Z124
- cUPC
- ASTM F462 (Pass w/COF=0.44)
- ASTM C1028
 - COF Dry = 0.66
 - COF Wet = 0.56

Flame & Smoke

- ASTM E84
 - Flame Spread Index = 0
 - Smoke Index = 20
- CAN/ULC S102.2
 - Flame Spread Rating = 0
 - Smoke Developed Classification = 15



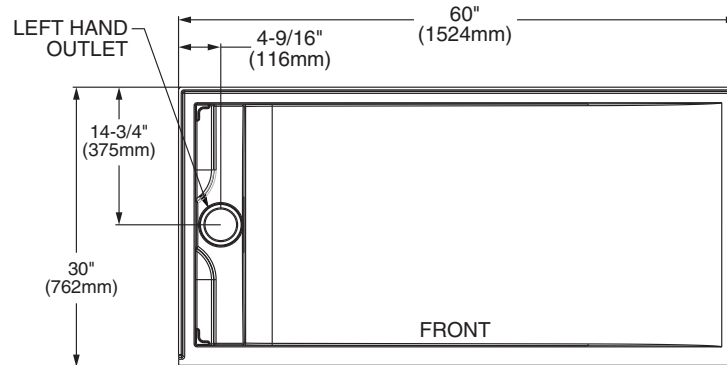
6030SMLHOL



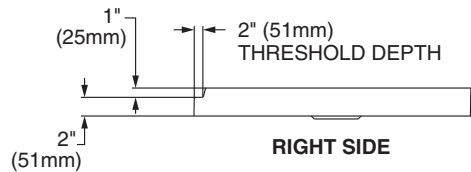
6030SMRHOL

SEE REVERSE SIDE FOR ROUGHING-IN DIMENSIONS

6030SMLHOL
Low Threshold - Left Side Trench Drain

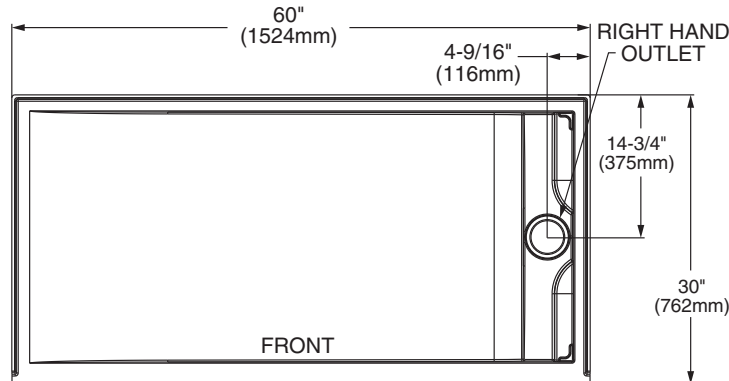


TOP VIEW

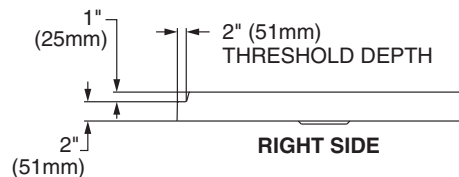


RIGHT SIDE

6030SMRHOL
Low Threshold - Right Side Trench Drain



TOP VIEW



RIGHT SIDE

GENERAL SPECIFICATIONS FOR 6030SM SHOWER BASE

INSTALLED SIZE	1524mm x 762mm (60 x 30 In.)
WEIGHT	50.5 Kg. (111 Lbs.)
SHOWER WELL AT SUMP	1429mm x 644mm (56-3/16 x 25-3/8 In.)
SHOWER WELL AT RIM	1437mm x 665mm (56-5/8 x 26-3/16 In.)
FLOOR LOADING (PROJECTED AREA)	43 Kgs/Sq. m. (9 Lbs./Sq. Ft.)