

**TOWNSEND® 60" x 32" SOLID SURFACE
SHOWER BASE**

- 6032SMLHOL** Low Threshold
Left Side Trench Drain
- 6032SMRHOL** Low Threshold
Right Side Trench Drain

Product Features:

- Durable 100% solid, non-porous material
- Smooth matte surface
- Integral 3-sided 1" tiling / water retention flange for easy installation
- Low 2" threshold height
- Repairable and renewable surface
- Fungi and bacterial resistant
- Self-extinguishing
- UV resistant
- Resistant to stains and impact
- Easy maintenance and cleaning
- Drain not included

Nominal Dimensions:

60" x 32" x 2"
(1524 x 813 x 51mm)

Shower Base Includes:

- Removable solid surface trench drain cover

Compliance Certifications -

Meets or Exceeds the Following Specifications:

- CSA B45.5 / IAPMO Z124
 - IAPMO R&T cUPC
 - Class A rating per ASTM E84 tunnel test
- | | | |
|--------------|--------------|--------------|
| | <u>Flame</u> | <u>Smoke</u> |
| ASTM E84-17a | 0 (Zero) | 20 |
-
- Tested against CAN/ULC S102.2-10
- | | | |
|-------------------|--------------|--------------|
| | <u>Flame</u> | <u>Smoke</u> |
| CAN/ULC S102.2-10 | 0 (Zero) | 15 |



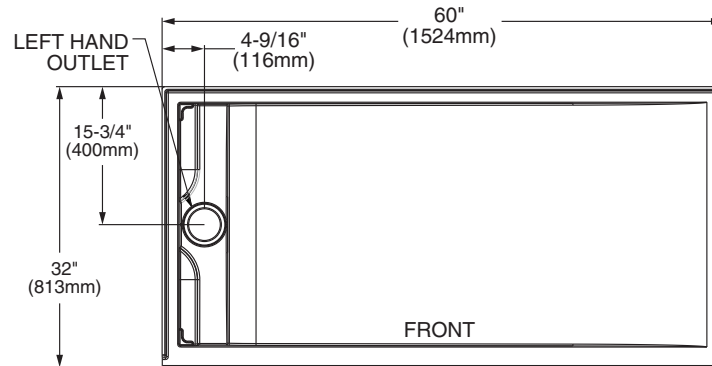
6032SM-LHOL



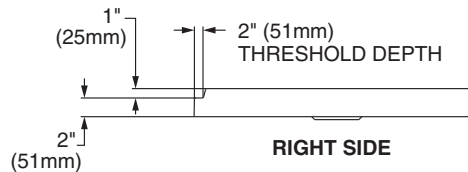
6032SM-RHOL

SEE REVERSE SIDE FOR ROUGHING-IN DIMENSIONS

6032SMLHOL
 Low Threshold - Left Side Trench Drain

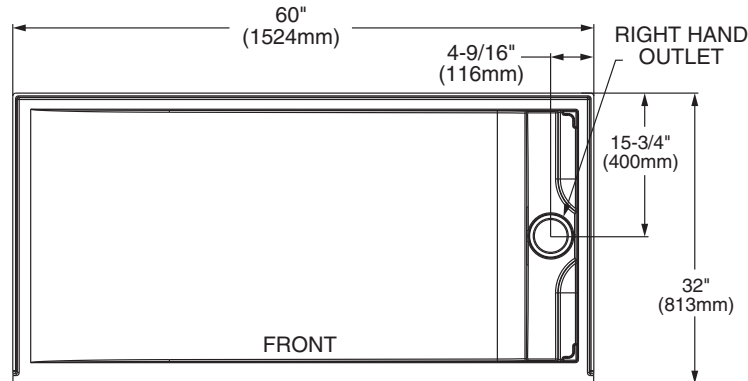


TOP VIEW

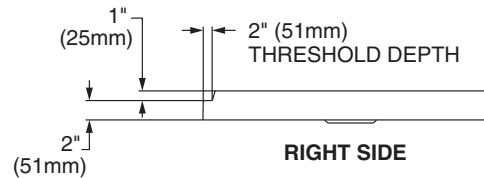


RIGHT SIDE

6032SMRHOL
 Low Threshold - Right Side Trench Drain



TOP VIEW



RIGHT SIDE

GENERAL SPECIFICATIONS FOR 6032SM SHOWER BASE

INSTALLED SIZE	1524mm x 814mm (60 x 32 In.)
WEIGHT	53.2 Kg. (117 Lbs.)
SHOWER WELL AT SUMP	1429mm x 693mm (56-3/16 x 27-5/16 In.)
SHOWER WELL AT RIM	1437mm x 716mm (56-5/8 x 28-3/16 In.)
FLOOR LOADING (PROJECTED AREA)	43 Kgs/Sq. m. (9 Lbs./Sq. Ft.)