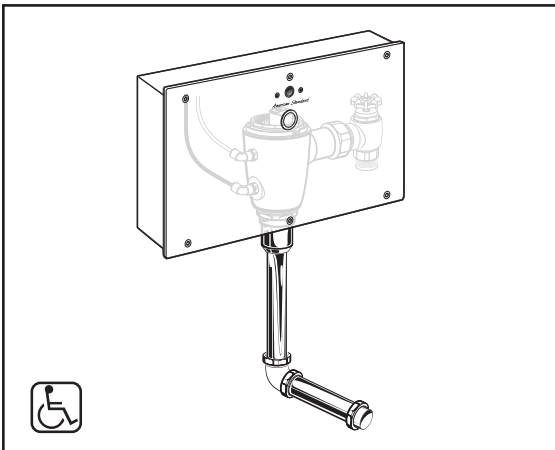


**SELECTRONIC® SENSOR OPERATED,  
CONCEALED URINAL FLUSH VALVE  
WITH WALL BOX, BACK SPUD**



**GENERAL DESCRIPTION:**

Concealed, Sensor Operated Selectronic® Flush Valve (Front Access) for 3/4" back spud urinal.

**PRODUCT FEATURES:**

- **Pressure Compensation** feature ensures accurate flush volume regardless of inlet water pressure
- **Self-Cleaning Piston** with integral wiper spring significantly reduces clogging and maintenance
- **Selectronic® Proximity System** with universal sensor provides hygienic, "hands free" operation
- **State-of-the-Art Electronics** prevent ghost flushing
- **Dezincification Resistant** semi-red brass alloy
- **Fully Mechanical Manual Override Button** can flush the valve without power
- **Fail-Safe:** Valve automatically closes upon loss of power or water pressure and does not need to be reset
- **Adjustable Sanitary Flush** cleans the fixture & maintains the trap seal.
- **Stadium Feature:** Valve automatically switches to water savings mode during periods of heavy usage
- **Chemical Resistant EPDM** Seals for extended life
- **Adjustable tailpiece for rough-in flexibility**
- **Can be installed left or right handed**
- **All exposed parts are chrome-plated**

**INCLUDES:**

- 3/4" I.P.S. angle stop with back-flow protection and hand wheel
- 3/4" Sweat solder adapter
- 3/4" Vacuum breaker with spud coupling and flange

**BASE MODEL: (Does Not include Power Supply)**



- 606B.501** Base Model, 0.125 gpf  
**FRONT ACCESS**

Fully mechanical manual override  
Chrome-plated metal wall plate



- 606B.505** Base Model, 0.5 gpf  
**SAME AS ABOVE**

- 606B.510** Base Model, 1.0 gpf  
**SAME AS ABOVE**

**POWER KITS: (Must be Purchased Separately)**

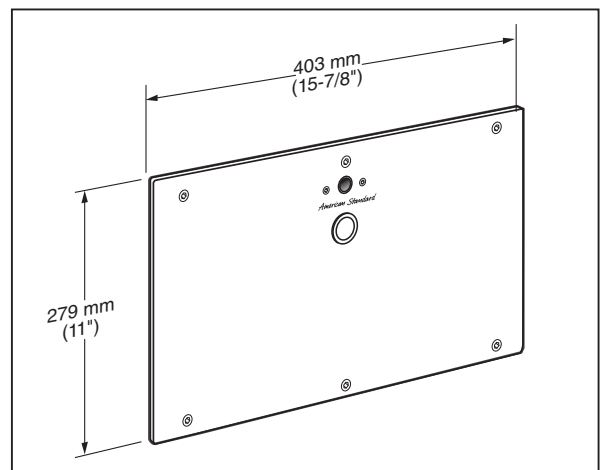
- PK00.CRP** CR-P2 lithium battery and holder
- PK00.WRK** PWRX 10-Year battery pack and holder
- PK00.PAC** Plug-In AC transformer and capacitor module
- PK00.MAC** Multi-AC adapter and 10" extension cable
- PK00.HAC** Hard-Wired AC transformer, 10' extension cable and capacitor module

**OPERATING PRESSURE:**

20 psi (flowing) - 80 psi (static)

**FLOW REQUIREMENT:**

10 gpm (37.9 L/min.)



**SUGGESTED SPECIFICATION**

Electronic, sensor activated flush valve for 3/4" back spud urinal shall feature self-cleaning piston valve with integral wiper spring in refill orifice to prevent clogging. Shall feature a fully mechanical manual override that can flush the valve without power. Shall also feature a semi-red brass valve body and vandal-resistant stainless steel wall box that includes the sensor and manual override button. Includes angle stop with back-flow protection and hand wheel. Sweat solder adapter and vacuum breaker also included. Must be installed and maintained from the front. Flush Valve shall be American Standard Model # 606B.5\_\_\_.007.

