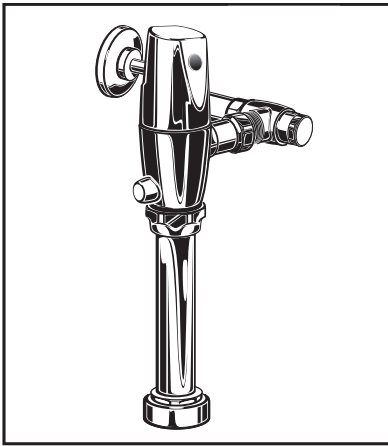


SELECTRONIC® SENSOR-OPERATED TOILET FLUSH VALVE

HARD-WIRED AC POWER, BASE MODEL



GENERAL DESCRIPTION:

Exposed, Sensor Operated Selectronic Water Closet Flush Valve for floor-mounted or wall-hung 1-1/2" top spud bowls. Inlet includes 1" I.P.S. angle stop with back-flow protection, vandal-resistant cap, sweat solder kit, cover tube and wall flange. Outlet includes 1-1/2" vacuum breaker, spud coupling and flange.

PRODUCT FEATURES:

- **Self-Cleaning Piston** with integral wiper spring significantly reduces clogging and maintenance
- **No Routine Maintenance:** no diaphragms to replace; no filters to clean
- **Optional Cover Plate** for transformer installation from the front
- **Selectronic Proximity System** with universal sensor provides hygienic, "hands free" operation
- **State-of-the-Art Electronics** prevent ghost flushing
- **Dezincification Resistant** semi-red brass alloy
- **Fully Mechanical Manual Override Button** can flush the valve without power
- **Fail-Safe:** Valve automatically closes upon loss of power or water pressure and does not need to be reset
- **Adjustable Sanitary Flush** cleans the fixture & maintains the trap seal.
- **Chemical Resistant EPDM Seals** for extended life
- **High Back Pressure Vacuum Breaker**
- **Adjustable Tailpiece**
- **Range can be adjusted manually or with optional remote control**
- **No external volume adjustment**
- **Can be installed left or right handed**

BASE MODEL: (Does Not Include Power Supply)

606B.161 Base Model, 1.6 gpf/6.0 Lpf
For use with Hard-Wired AC or Multi-AC power kits. 11-1/2" rough-in



606B.121 Base Model, 1.28 gpf/4.8 Lpf
SAME AS ABOVE



606B.111 Base Model, 1.1 gpf/4.2 Lpf
SAME AS ABOVE



606B.761 Base Model, Dual Flush 1.6/1.1 gpf/6.0/4.2 Lpf
SAME AS ABOVE



606B.721 Base Model, Dual Flush 1.28/1.1 gpf/4.8/4.2 Lpf
SAME AS ABOVE

POWER KITS: (Must be Purchased Separately)

PK00.HAC Hard-Wired AC transformer, 10' extension cable and capacitor module

PK00.MAC Multi-AC adapter and 10" extension cable

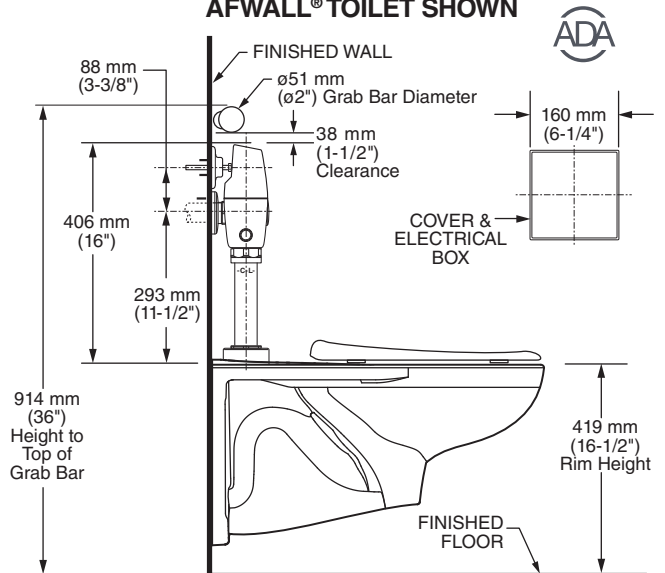
OPERATING PRESSURE:

25 psi (flowing) - 80 psi (static)

FLOW REQUIREMENT:

25 gpm/94.6 L/min

ADA WATER CLOSET INSTALLATION: AFWALL® TOILET SHOWN



** Flush Valve can be installed to meet ADA 2010 Section 609 when installed as shown

RECOMMENDED SPECIFICATION:

Electronic proximity infrared sensor activated toilet flush valve shall feature self-cleaning piston valve. Includes a fully mechanical manual over-ride that can provide a complete flush without power. Includes cast brass valve body and metal cover with chrome finish and vandal resistant stop cap. Angle stop with back-flow protection and vacuum breaker included. Flush valve shall be American Standard Model # 606B.____002

LISTINGS:

- ASSE 1037
- ANSI/ASME A112.19.2
- ADA Compliant

Roughing-in Dimensions

