

**GENERAL DESCRIPTION:**

Manual Diaphragm-Type Water Closet Flush Valve for floor-mounted or wall-hung 1-1/2" top spud bowls.

**PRODUCT FEATURES:**

- Patent-pending DynaClean™ wiper spring technology significantly reduces maintenance and downtime.
- Self-cleaning wiper spring cleans the refill orifice with every flush; prevents valve run-on from clogging
- Prevents costly excess water usage and potential flooding
- Premium EvoLast™ material is chlorine and chloramine resistant to prevent premature deterioration and failure
- Delivers consistent flushing performance and water savings over time
- Dezincification-resistant brass alloy withstands the most severe water conditions
- Non-hold open handle provides automatic shut-off
- High back pressure vacuum breaker prevents dripping
- Adjustable tailpiece for rough-in flexibility
- Can be installed left or right handed
- No external volume adjustment
- ADA compliant

**MODEL NUMBER:**



☐ **6147111.002** Flush Valve for 1-1/2" top spud bowl, 11-1/2" Supply C/L to top of bowl, 1.1 gpf/4.2 Lpf

**OPERATING PRESSURE:**

25 psi (flowing)-80 psi (static)

**FLOW REQUIREMENT:**

25gpm (94.6 L/min.)

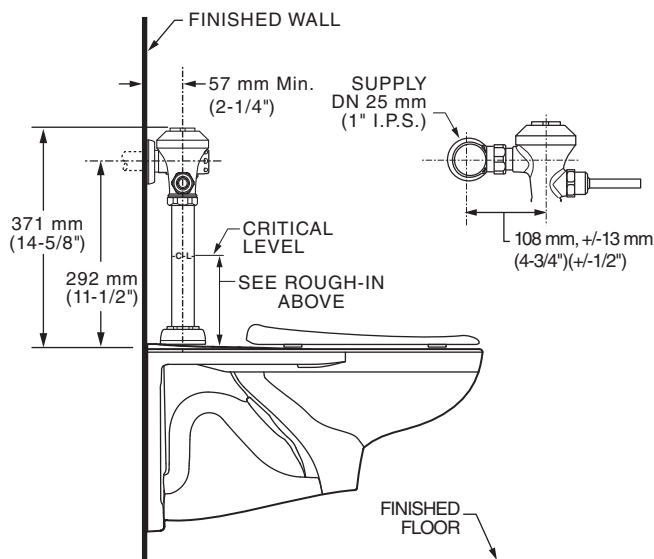
**INCLUDES:**

- 1" I.P.S. angle stop with back-flow prevention and vandal-resistant cap
- Sweat solder kit including cover tube and wall flange
- High back pressure vacuum breaker with down tube
- Spud coupling & flange for 1-1/2" top spud

**ACCESSORIES:**

- Split ring pipe supports (2-1/2" & 6" C-E)

**TYPICAL WATER CLOSET INSTALLATION:  
AFWALL™ TOILET SHOWN**



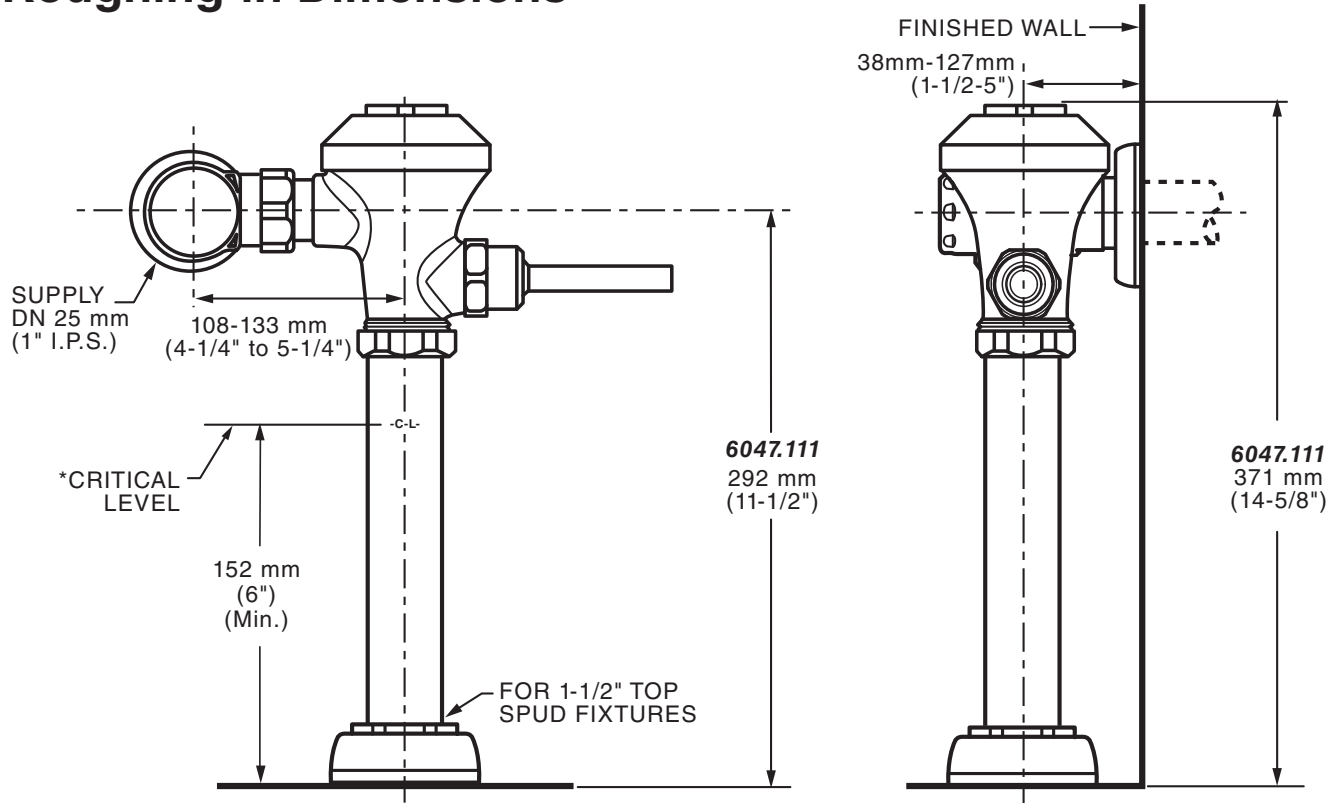
**RECOMMENDED SPECIFICATION:**

Manual toilet flush valve shall feature self-cleaning diaphragm valve with integral DynaClean wiper spring in bypass orifice to prevent clogging. Advanced EvoLast diaphragm provides superior chorine-resistance. Includes dezincification-resistant cast brass valve body with chrome finish. Includes sweat solder kit with wall flange and cover tube. Angle stop with back-flow protection and vandal-resistant stop cap. High back pressure vacuum breaker included. 1.1 gpf / 4.2 Lpf Flush valve shall be American Standard Model # 6147.111.002.

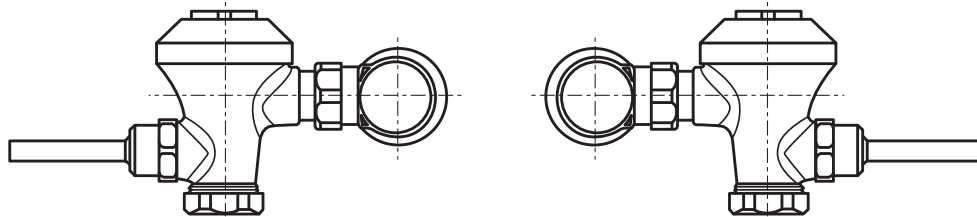
**LISTINGS:**

- ASSE 1037
- ANSI/ASME A112.19.2
- ADA Compliant

**Roughing-in Dimensions**



\*Note: The Critical Line (-C-L) on Vacuum Breaker must typically be a minimum of 6" (152 mm) above fixture. Consult Codes for details.



**Left or Right Hand Installation**