

American Standard

Delancey® Single Lever Lavatory Faucet With Push Drain

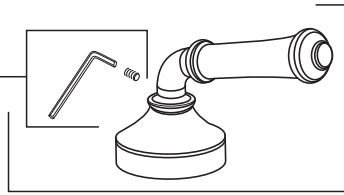
MODEL NUMBERS

7052107
7052114

Replace the "YYY" with appropriate finish code

POLISHED CHROME	002
BRUSHED NICKEL	295
LEGACY BRONZE	278
POLISHED NICKEL	013

M970641-0070A
SET SCREW KIT



M970565-YYY0A
HANDLE KIT

M921549-0070A
HANDLE ADAPTER



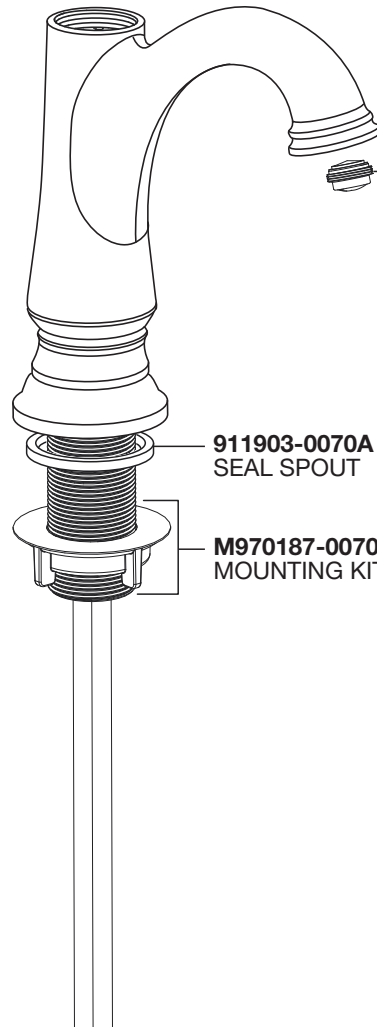
M907063-YYY0A
CAP



M904528-0070A
CARTRIDGE NUT



M962682-0070A
CARTRIDGE



M923840-0070A
AERATOR (1.2 GPM)

911903-0070A
SEAL SPOUT

M970187-0070A
MOUNTING KIT

M953456-YYY0A
DRAIN ASSEMBLY

HOT LINE FOR HELP

For toll-free information and answers to your questions, call:
1 (800) 442-1902

Mon. - Fri. 8:00 a.m. to 8:00 p.m. EST
Saturday 10:00 a.m. to 4:00 p.m. EST

IN CANADA 1-800-387-0369
(TORONTO 1-905-306-1093)

Weekdays 8:00 a.m. to 7:00 p.m. EST

IN MEXICO 01-800-839-1200



PART OF LIXIL