

American Standard

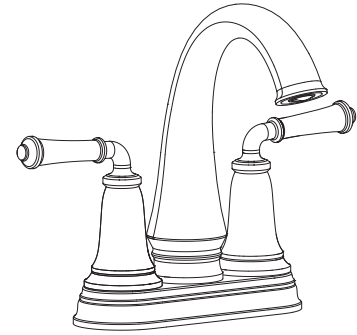
# INSTALLATION INSTRUCTIONS

## Delancey® Centerset Lavatory Faucet

7052207  
7052214

Thank you for selecting American Standard...  
the benchmark of fine quality for over 140 years.

To ensure that your installation proceeds smoothly-please read  
these instructions carefully before you begin.



Certified to comply with ANSI A112.18.1M

### RECOMMENDED TOOLS



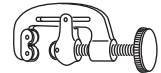
Screwdriver



Channel Locks



Adjustable Wrench

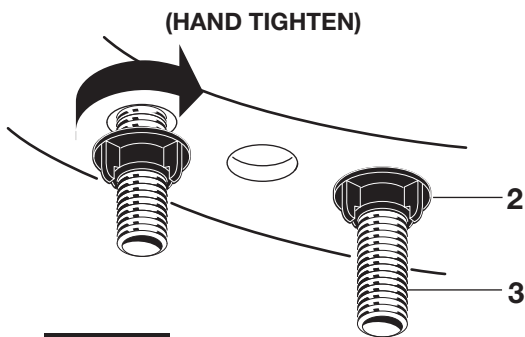


Tubing Cutter

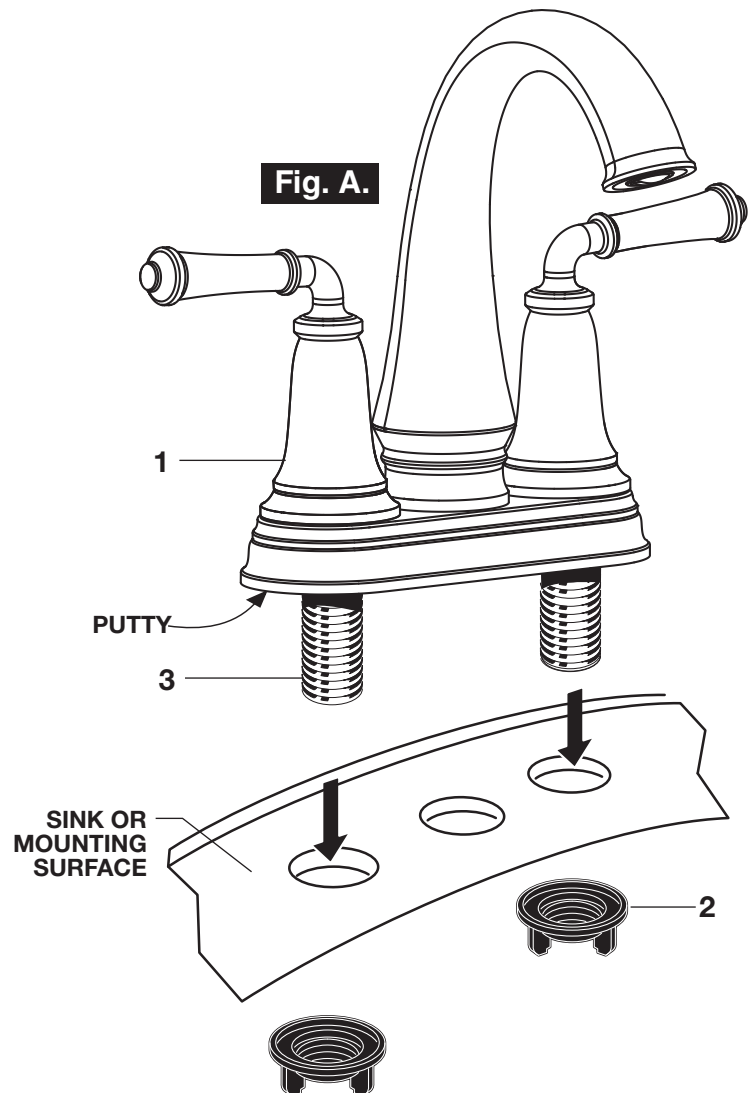
### 1 INSTALL FAUCET

**CAUTION** Turn off hot and cold water  
supplies before beginning.

- Apply a bead of PUTTY along the edge of the underside of the BODY. Insert FAUCET (1) through mounting holes of Sink or mounting surface. **Fig. A.**
- Assemble LOCKNUTS (2) onto SHANKS (3) from under side of Sink. Hand tighten firmly. **Fig. B.**



**Fig. B.**



**Fig. A.**

#### HOT LINE FOR HELP

For toll-free information and answers to your questions, call:  
1 (800) 442-1902

Mon. - Fri. 8:00 a.m. to 8:00 p.m. EST  
Saturday 10:00 a.m. to 4:00 p.m. EST

IN CANADA 1-800-387-0369  
(TORONTO 1-905-306-1093)

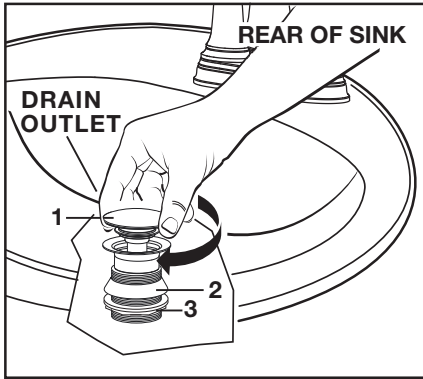
Weekdays 8:00 a.m. to 7:00 p.m. EST

IN MEXICO 01-800-839-1200



PART OF **LIXIL**

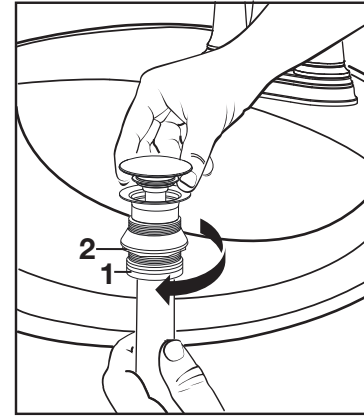
## 2 INSTALL DRAIN FROM BELOW FIXTURE



- Install DRAIN (1) by dropping it from the top of the sink.
- From under side of SINK install GASKET (2) and MOUNTING NUT (3).

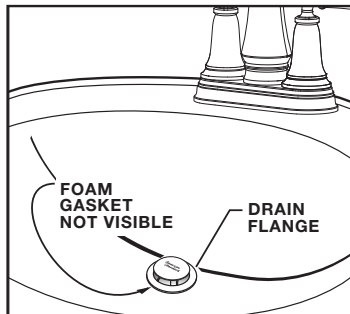
**Note:** Plumber's putty or caulk is recommended.

## 3



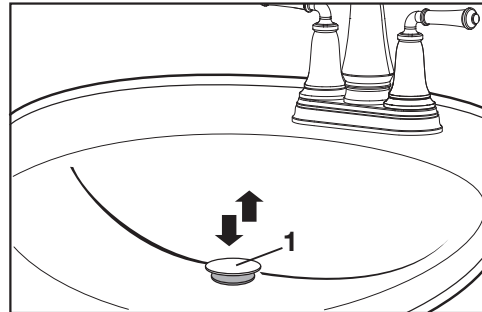
- Thread TAIL PIECE NUT (1) clockwise onto DRAIN BODY (2).

## 4 FLANGE GASKET AND POP-UP KNOB



- Check DRAIN FLANGE in SINK to ensure that FOAM GASKET is fully compressed and not visible.

## 5 CHECK OPERATION OF POP-UP

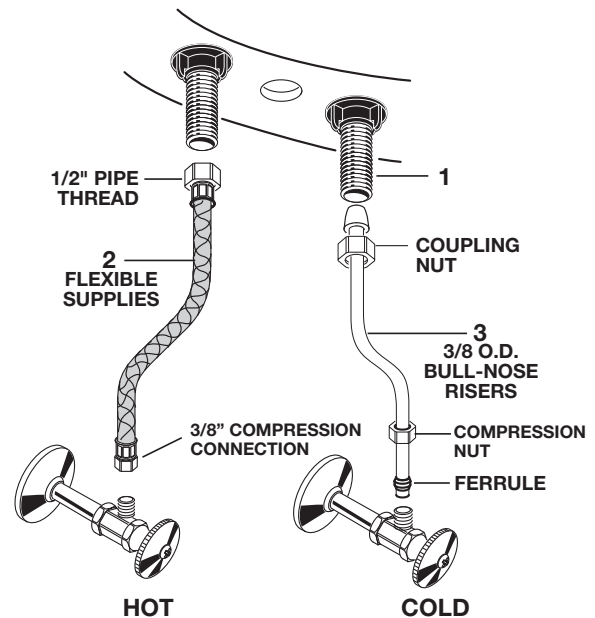


- Operate DRAIN STOPPER (1) to verify that it opens and closes.

## 6 MAKE WATER SUPPLY AND WASTE CONNECTIONS

**NOTE: FLEXIBLE SUPPLIES OR BULL-NOSE RISERS MUST BE PURCHASED SEPARATELY.**

- Connect water supply to FAUCET (1) with 1/2" IPS FLEXIBLE SUPPLIES (2) or 3/8" O.D. BULL-NOSE RISERS (3).
- Use adjustable wrench to tighten connections. Do not over tighten. Be careful not to kink copper supply when bending. Use tubing cutter to cut to proper length.
- Connect 1-1/4" O.D. tailpiece on POP-UP DRAIN to waste outlet.

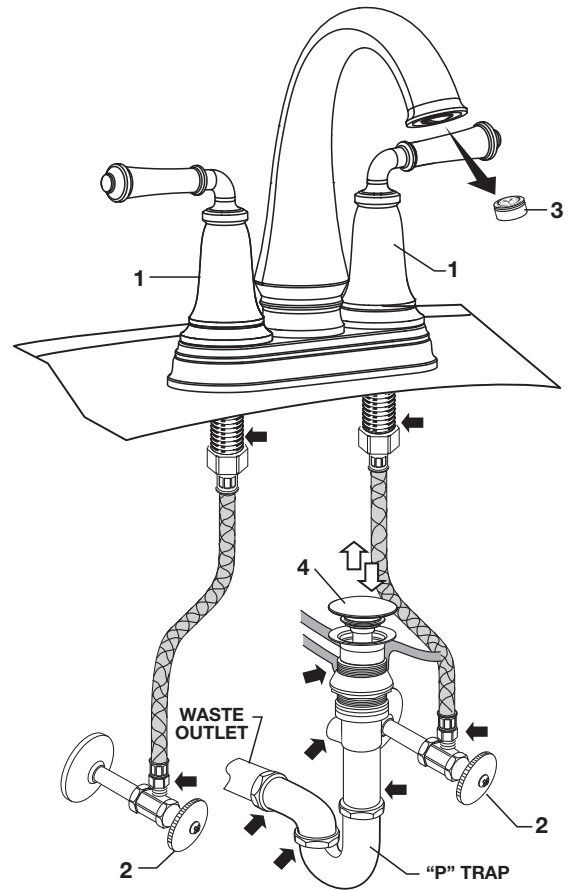


## 7 TEST INSTALLED FITTING

- With HANDLES (1) in OFF position, turn on WATER SUPPLIES (2) and check all connections for leaks. ➡
- Remove AERATOR (3).
- Operate both HANDLES (1) to flush water lines thoroughly.
- Replace AERATOR (3).

## CHECK DRAIN CONNECTIONS

- Fill lavatory with water. Check that DRAIN STOPPER (4) makes a good seal and retains water in SINK.
- Check all drain connections and "P" trap for leaks. Tighten if necessary. ➡

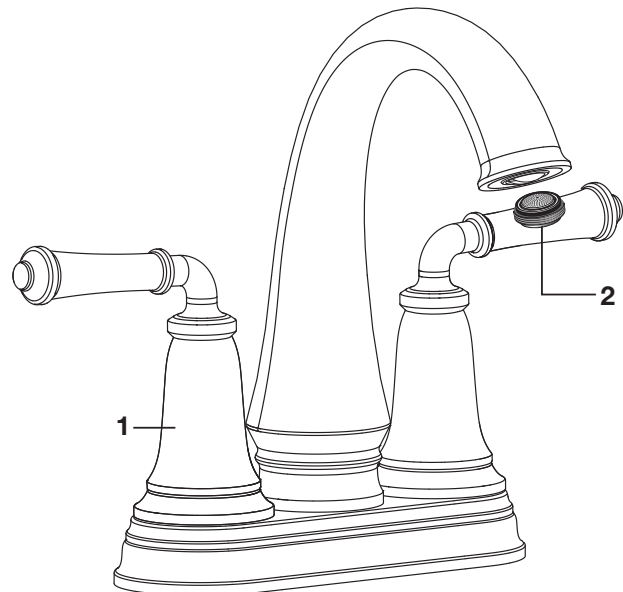


## 8 SERVICE

**CAUTION** Turn off hot and cold water supplies before beginning.

### If Faucet Drips, Proceed As Follows:

- Turn HANDLES (1) to OFF position.
- If spout drips, operate HANDLES (1) several times from OFF to ON position. Do not force HANDLES they turn only 90°.
- AERATOR (2) may accumulate dirt causing distorted and reduced water flow. Remove AERATOR (2) and clean before reinstalling.



## 9 CARE INSTRUCTIONS:

- DO:** SIMPLY RINSE THE PRODUCT CLEAN WITH CLEAR WATER. DRY WITH A SOFT COTTON FLANNEL CLOTH.
- DO NOT:** DO NOT CLEAN THE PRODUCT WITH SOAPS, ACID, POLISH, ABRASIVES, HARSH CLEANERS, OR A CLOTH WITH A COARSE SURFACE.