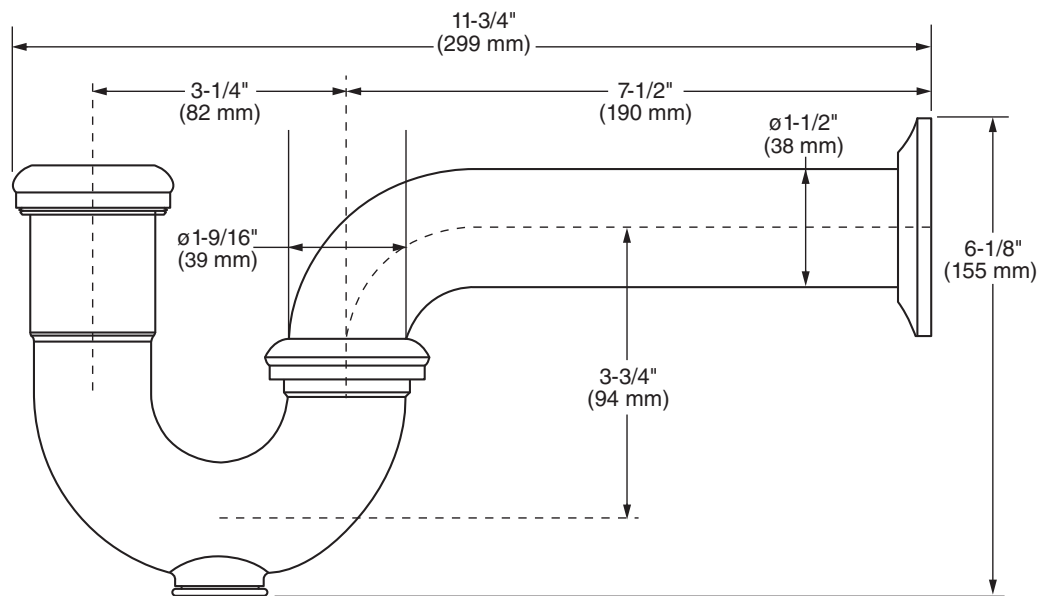


MODEL NUMBER:

☐ 8888114 - P-Trap

Available Finishes

002	Polished Chrome
295	Brushed Nickel
013	Polished Nickel
278	Legacy Bronze



PRODUCT FEATURES:

- 1-1/4" Diameter slip fit inlet
- Brass construction
- Removable trap eye for easy cleaning

SUGGESTED SPECIFICATION

P-Trap shall feature 1-1/4" diameter slip fit inlet, brass construction and have removable trap for cleaning. P-Trap shall be American Standard Model # 8888114._____.