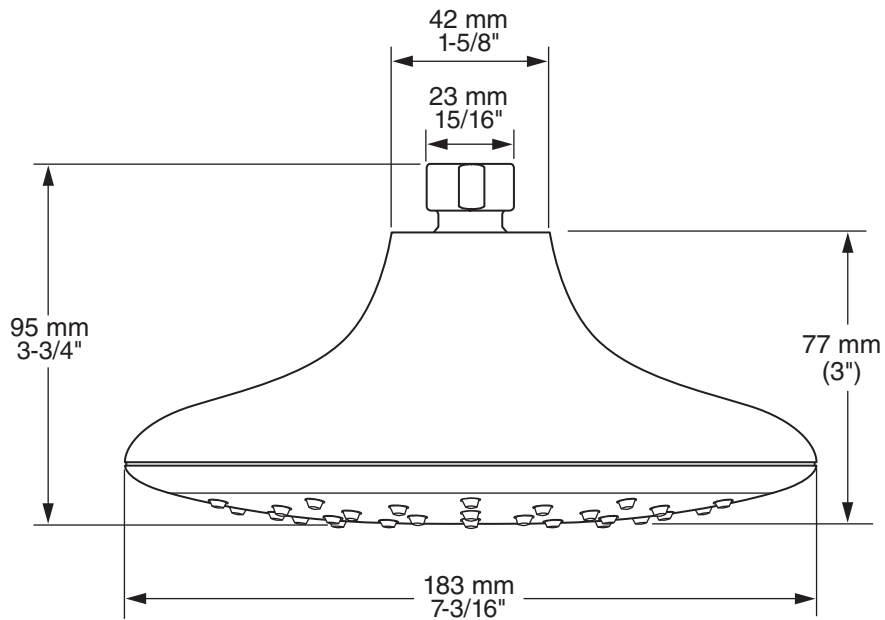


MODEL NUMBER:

□ 9035.374 Spectra+ Touch™ 4-Function Showerhead



GENERAL DESCRIPTION:

Showerhead adjusts from Drench to Sensitive to Jet to Massage. Permanent built-in compensating flow control device. 2.5 gpm/9.5 L/min. maximum flow rate.

PRODUCT FEATURES:

Pressure Compensating Flow Control Device:

Provides consistent flow over a wide pressure range.

Variety of Spray Functions: Allows the user to select the spray function best suited to their needs.

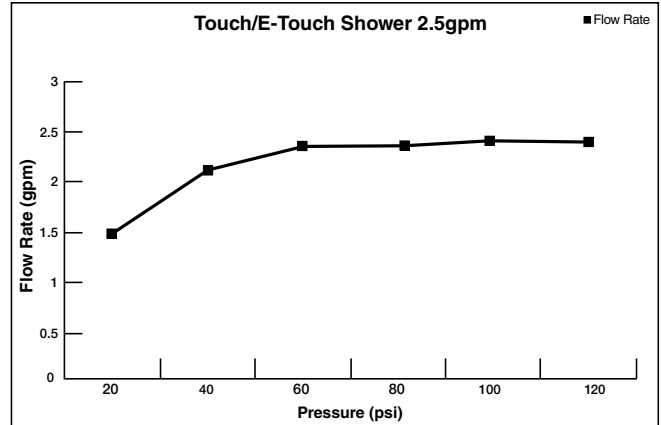
SUGGESTED SPECIFICATION

Showerhead shall feature 4 spray functions with maximum 2.5 gpm/9.5 L/min flow rate. Fitting shall be American Standard Model # 9035.374.


CODES AND STANDARDS

These products meet or exceed the following codes and standards:

ASME A112.18.1
CSA B125.1



Product Number	Description	Finish Options			
		Polished Chrome	Brushed Nickel	Polished Nickel (PVD)	Legacy Bronze
		002	295	013	278
9035.374	Spectra+ Touch™ 4-Function Showerhead. 2.5 gpm Max Flow.				

Showerhead Accessories	
Product Number	Description
1660.240	Standard Shower Arm and Flange 
1660.241	Modern Shower Arm and Flange 