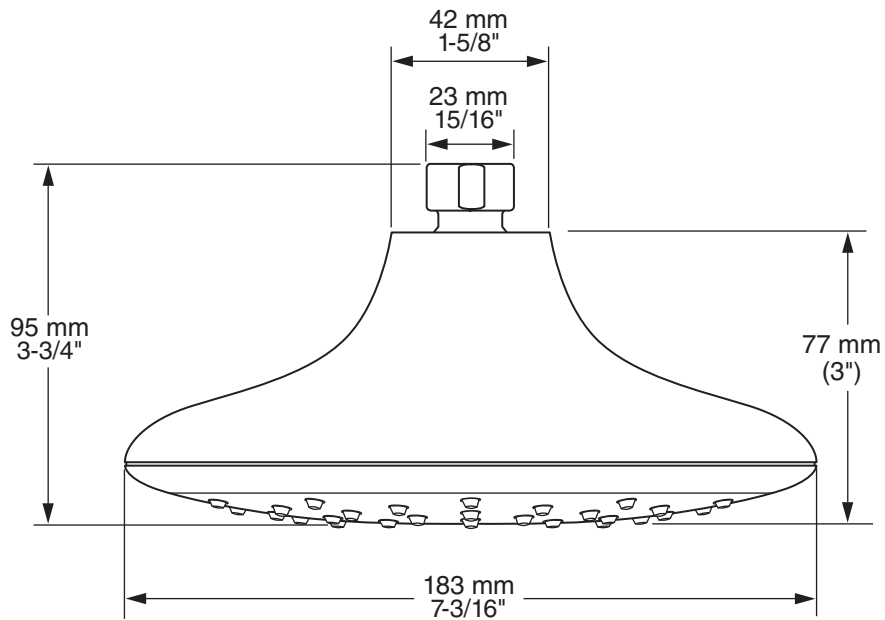




MODEL NUMBER:

□ 9038.374 Spectra+ Touch™ 4-Function Showerhead



GENERAL DESCRIPTION:

Showerhead adjusts from Drench to Sensitive to Jet to Massage. Permanent built-in compensating flow control device. 1.8 gpm/6.8 L/min. maximum flow rate.

PRODUCT FEATURES:

Water Saving: WaterSense certified.

Pressure Compensating Flow Control Device: Provides consistent flow over a wide pressure range.

Variety of Spray Functions: Allows the user to select the spray function best suited to their needs.

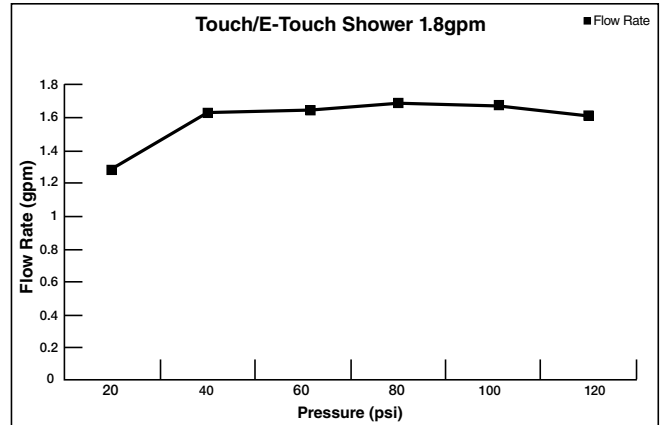
SUGGESTED SPECIFICATION

Showerhead shall feature 4 spray functions with maximum 1.8 gpm/6.8 L/min flow rate. Fitting shall be American Standard Model # 9038.374.


CODES AND STANDARDS

These products meet or exceed the following codes and standards:

- ASME A112.18.1**
- CSA B125.1**
- EPA WaterSense**



Product Number	Description	Finish Options			
		Polished Chrome	Brushed Nickel	Polished Nickel (PVD)	Legacy Bronze
		002	295	013	278
9038.374	Spectra+ Touch™ 4-Function Showerhead. 1.8 gpm Max Flow.				

Showerhead Accessories	
Product Number	Description
1660.240	Standard Shower Arm and Flange 
1660.241	Modern Shower Arm and Flange 