

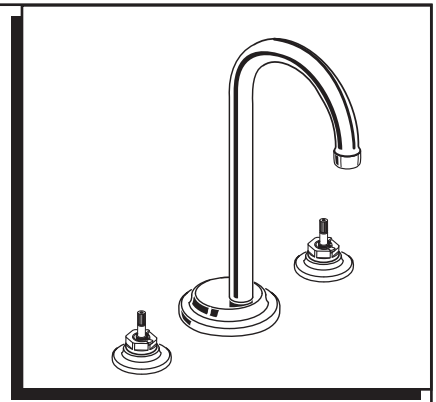
**HERITAGE**  
AMARILIS

**HERITAGE SERIES  
SPREAD LAVATORY  
FAUCETS**

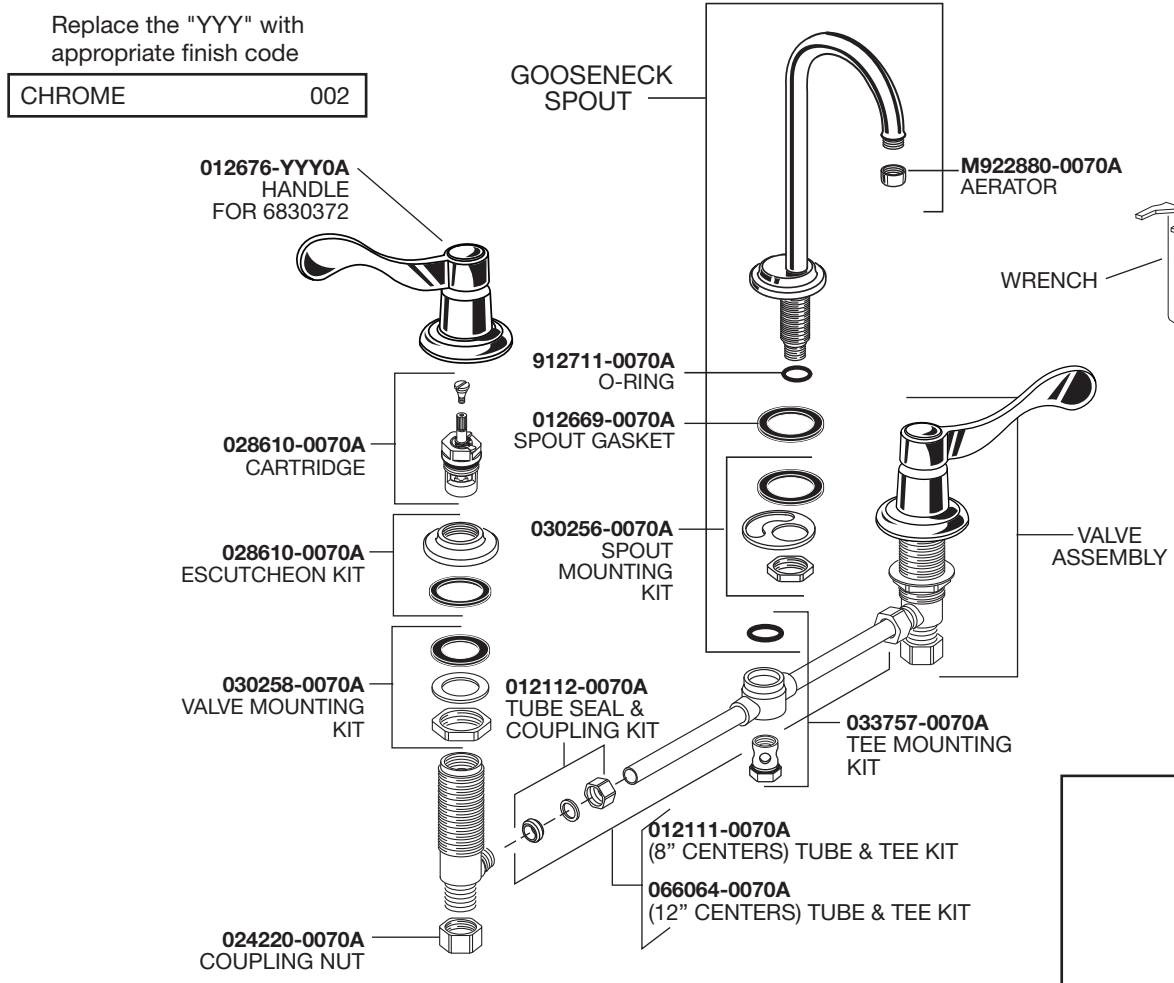
*Thank you for selecting American-Standard...  
the benchmark of fine quality for over 100 years.*

**To ensure that your installation proceeds smoothly--  
please read these instructions carefully before you begin.**

**Installation  
Instructions  
6830.372H**



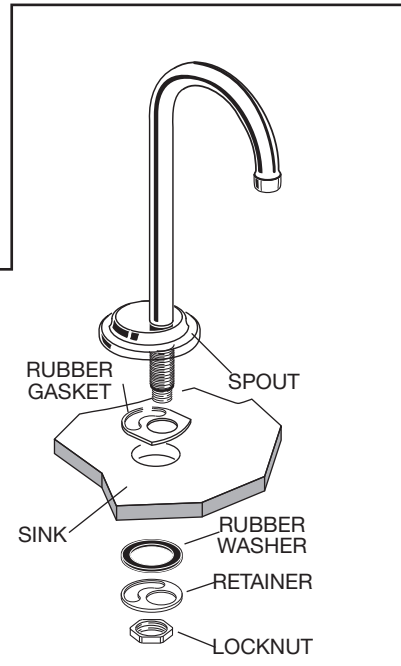
Certified to comply with ANSI A112.18.1M  
U.S. Patent No. 5,819,789  
M934375 Rev. 1.2 (4/16)



**1 SPOUT OR BASE ASSEMBLY**

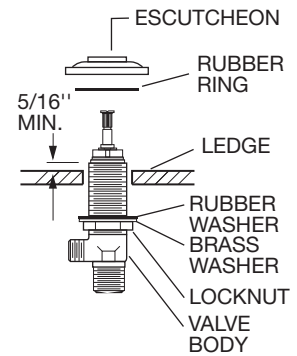
**CAUTION** Turn off water at main supply.

- Insert BASE or SPOUT shank through center hole of SINK, making sure RUBBER GASKET is properly positioned.
- Assemble RUBBER WASHER, RETAINER, and LOCKNUT onto threads of SPOUT from underside of SINK.
- Insert LIFT ROD through SPOUT (or BASE) and slot of RETAINER.
- Align SPOUT and tighten LOCKNUT. Be sure slot in BRASS WASHER is positioned to the rear as shown.

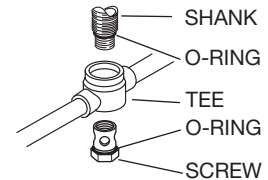


## 2 VALVE INSTALLATION

- Place RUBBER RING into ESCUTCHEON and screw ESCUTCHEON onto VALVE BODY until snug against internal stop.
- Tighten LOCKNUT to secure VALVE position. Attach COUPLING to TEE and tighten.
- Slide RUBBER FERRULE, FRICTION RING, and COUPLING NUT to outlet of VALVE and tighten COUPLING NUT firmly. Repeat on other VALVE.
- Connect HOT water supply to inlet of left VALVE and COLD water supply to inlet of right VALVE using appropriate connector.



- Prepare TUBE and TEE ASSEMBLY to fit available VALVE location. If necessary, cut and/or bend TUBING carefully. Make sure tube bend is close to the TEE so that it will not effect the compression joint at the VALVE.
- Remove COUPLING NUT, FRICTION RING, and RUBBER FERRULE from each valve and slide onto tubing.
- Push TUBING ends into VALVE side outlets. Insert VALVES into mounting holes from underside of SINK.
- Press TEE onto SHANK of SPOUT making certain that the SHANK O-RING is properly seated on SHANK.

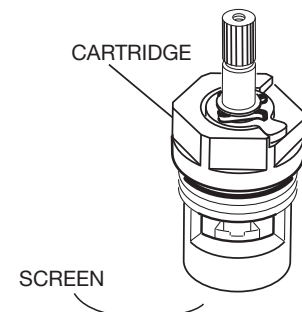
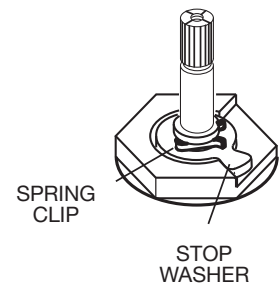


## 3 TEST INSTALLED FAUCET

- Remove AERATOR.
- With handle in OFF position, turn on water supplies and check all connections for leaks.
- Operate both handles to flush water lines thoroughly. Check spout mounting and hose connections for leaks.
- Turn handles into OFF position and replace AERATOR.

## 4 SERVICE

- To change direction of handle rotation, proceed as follows:
  - Turn valve to OFF position.
  - Remove INSERT and HANDLE SCREW.
  - Slip HANDLE with ADAPTER off.
  - Remove SPRING CLIP.
  - Lift STOP WASHER, turn 90° and replace.
  - Replace SPRING CLIP.
  - Replace ADAPTER, HANDLE, SCREW, and INSERT.
- AERATOR may accumulate dirt causing distorted and reduced water flow. Remove AERATOR and rinse clean.
- If spout drips, operate handles several times from OFF to ON position. Do not force - handles turn only 90°.
- Plastic SCREEN in CARTRIDGE may accumulate dirt causing reduced water flow. To clean, first turn off hot and cold water supplies, then:
  - Remove INSERT and HANDLE SCREW.
  - Slip HANDLE with ADAPTER off.
  - Unscrew CARTRIDGE with wrench.
  - Thoroughly rinse plastic SCREEN a base of CARTRIDGE.
  - Replace CARTRIDGE until flange is tight against valve body.
  - Turn valves OFF.
  - Replace ADAPTER, HANDLE, SCREW, and INSERT.



### HOT LINE FOR HELP

For toll-free information and answers to your questions, call:  
 1 (800) 442-1902  
 Mon. - Fri. 8:00 a.m. to 8:00 p.m. EST  
 Saturday 10:00 a.m. to 4:00 p.m. EST  
 IN CANADA 1-800-387-0369 (TORONTO 1-905-306-1093)  
 Weekdays 8:00 a.m. to 7:00 p.m. EST  
 IN MEXICO 01-800-839-1200



Product names listed herein are trademarks of AS America, Inc. ©2016

PART OF LIXIL