



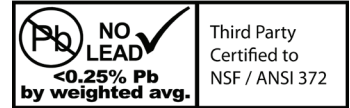
# 0806xx11NL SERIES NO LEAD BRASS SWING CHECK VALVE (THREADED)

## Specification:

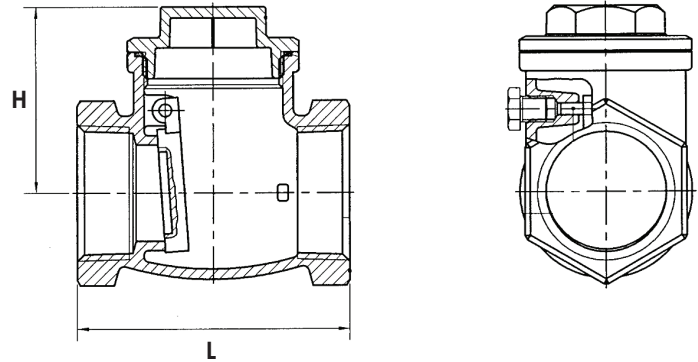
- Threads conform to ANSI/ASME B1.20.1
- Max Pressure Rating: 200 PSI
- 200 PSI WOG Non-Shock - WOG pressure rating based on ambient temperature
- Max Temperature Rating: 212°F (100°C)
- Cast no lead brass body, disc and cap

## Certification:

- NSF/ANSI Standard 372 Certified



Pressure Ratings		
Flow Rate	Pressure Drop	
GPM @ 25 PSI	PSI	Cv Factor
11.40	5	5.094
20.25	5	9.053
39.42	5	17.622
59.53	5	26.611
73.88	5	33.023
103.03	5	46.054
267.72	10	84.600
299.39	10	94.608
357.97	10	113.119



MATERIAL LIST	
Name	Material
Cap	Brass C46400
Packing	Fibre "H"
Disc	Brass C46400
Body	Brass C46400
Bolt	Brass C46400
Pin	Brass C46400

DIMENSIONS							
Part No.	Size	Port Dia.	L		H		Weight
		inches	inches	mm	inches	mm	
08060311NL	1/2"	0.52	2.08	53.00	1.41	36.00	190
08060411NL	3/4"	0.75	2.36	60.00	1.55	39.50	260
08060511NL	1"	0.93	2.61	66.50	1.77	45.00	370
08060611NL	1-1/4"	1.25	3.18	81.00	2.06	52.50	640
08060711NL	1-1/2"	1.38	3.54	90.00	2.16	55.00	790
08060811NL	2"	1.81	4.21	107.00	2.73	69.50	1250
08060911NL	2-1/2"	2.36	5.13	130.50	3.09	78.50	2230
08061011NL	3"	2.56	5.76	146.50	3.79	96.50	3280
08061111NL	4"	3.54	6.83	173.70	4.25	108.00	5410



25 Whaley Avenue, PO Box 310, Milverton, ON CANADA N0K 1M0  
Tel: 519-595-4444 Fax: 519-595-4380 Toll Free: 800-561-3164

[www.boshart.com](http://www.boshart.com)