

INSTALLATION INSTRUCTIONS

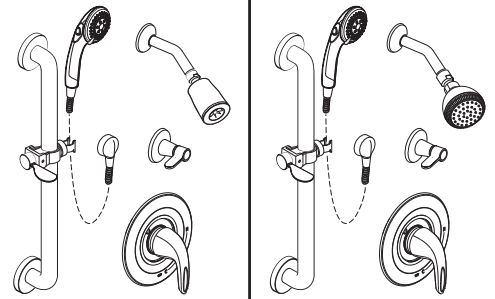
COMMERCIAL SHOWER SYSTEM KITS: 1.5 gpm & 2.5 gpm

TU662SG.223
TU662SG.213

Thank you for selecting American Standard...
the benchmark of fine quality for over 140 years.

To ensure that your installation proceeds smoothly-please read
these instructions carefully before you begin.

Installation must conform to all local building codes.

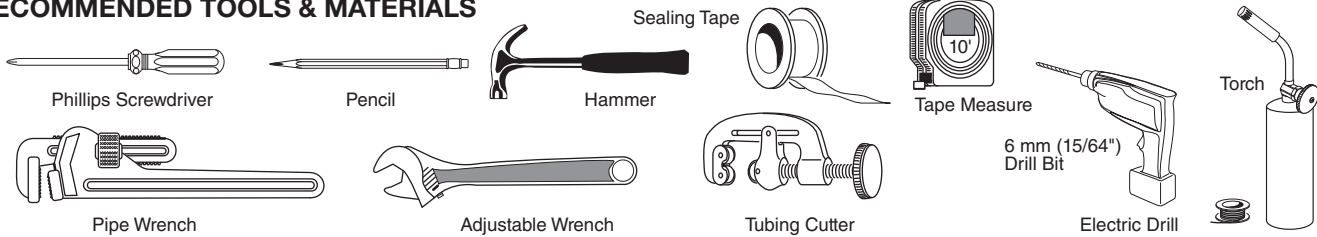


TU662SG.213
(1.5 gpm)

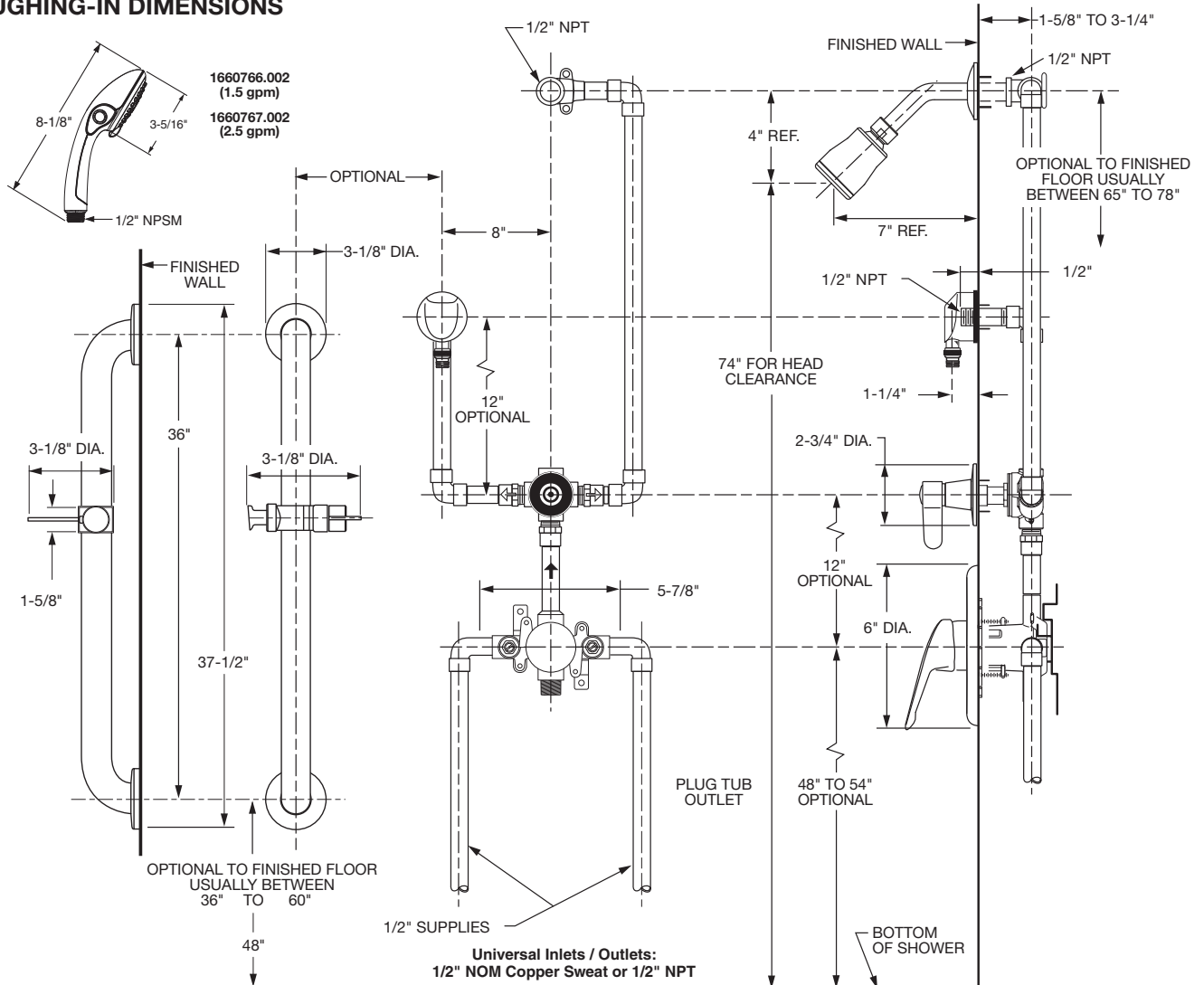
TU662SG.223
(2.5 gpm)

Certified to comply with ANSI A112.18.1

RECOMMENDED TOOLS & MATERIALS



ROUGHING-IN DIMENSIONS



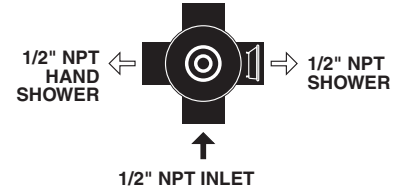
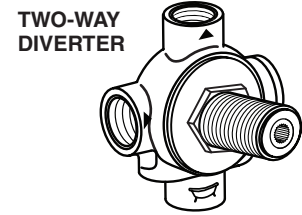
1 INSTALL THE R422 TWO-WAY DIVERTER

NOTE: REFER TO INSTALLATION INSTRUCTIONS (M965673) SUPPLIED WITH DIVERTER FOR COMPLETE INSTALLATION AND REPAIR PART INFORMATION.

IMPORTANT: The reverse side of the body is marked with arrows.

CAUTION: Do not solder near the VALVE. Damage to the SEAL may occur. Do not seal any outlets. The DIVERTER cannot be used as a stop valve. Use thread sealant or sealing tape on threaded connections.

- See Roughing-in diagram before starting. The port with the BATH TUB picture is the high flow.
- The DIVERTER can be installed with the inlet rotated in any position.
- All connections are 1/2" NPT.
- For proper positioning the finished wall must be within the side of PLASTER GUARD.
- Connect the R422 TWO-WAY DIVERTER to the R120SS VALVE BODY.



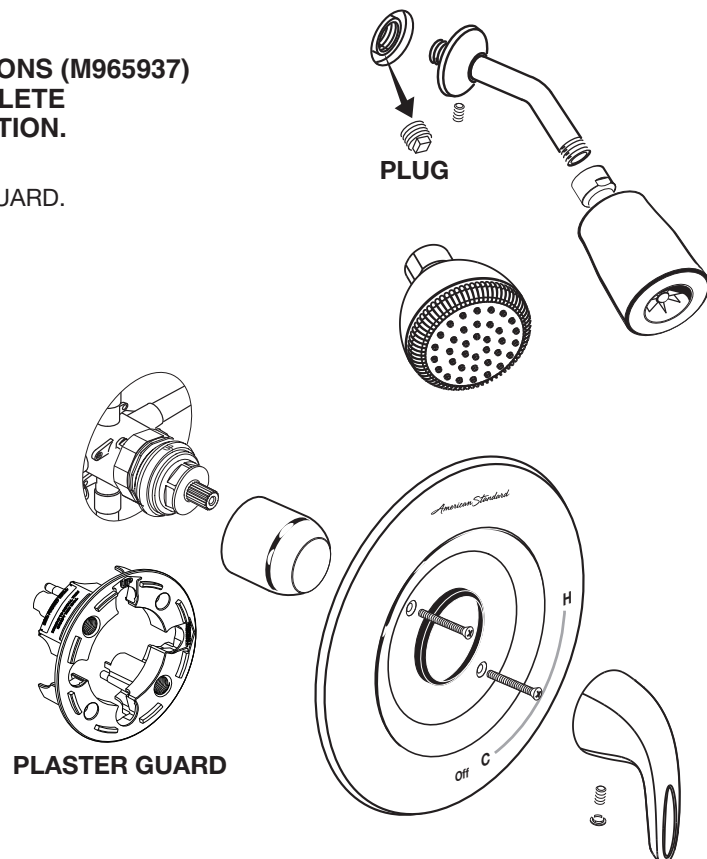
2 MAKE ALL CONCEALED PIPING CONNECTIONS

- See Roughing-in diagram before starting.
- Make Hot and Cold supply connections to the VALVE BODY. Inlet and outlet connections to the valve body are 1/2" copper sweat.
- Make Tub Filler connection from DIVERTER. (Use the port with the BATH TUB picture). DIVERTER IS 1/2" NPT. TUB SPOUT connection is 1/2" copper for SLIP-ON SPOUT.
- Make the connections for the HAND SHOWER. The HAND SHOWER connections are 1/2" NPT.
- For support, use PIPE BRACES secured to wooden braces. Cap off HAND SHOWER and TUB SPOUT FILLER PIPE. With the R120SS VALVE turned off, turn on water supplies. Check for leaks.
- Finish all wall construction.

3 INSTALL VALVE TRIM AND SHOWER HEAD

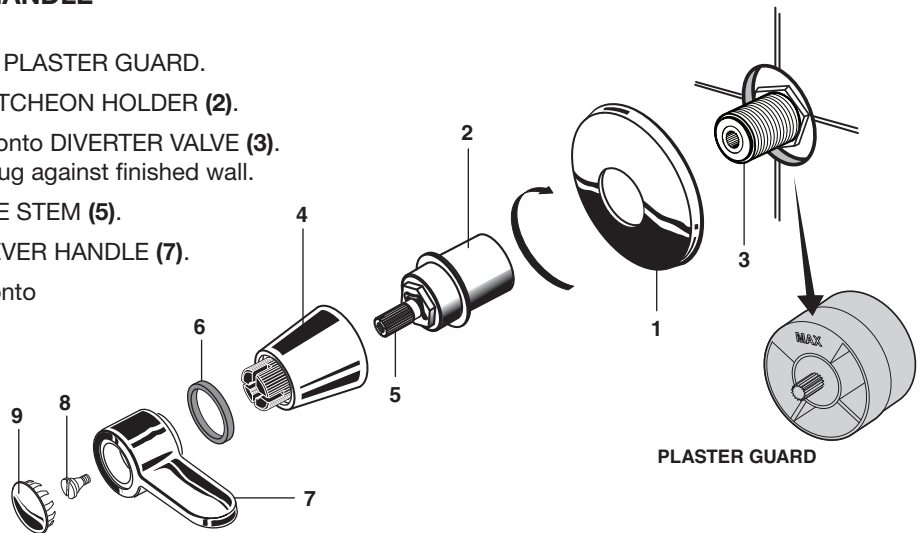
NOTE: REFER TO INSTALLATION INSTRUCTIONS (M965937) SUPPLIED WITH VALVE TRIM KIT FOR COMPLETE INSTALLATION AND REPAIR PART INFORMATION.

- When finished tiling the wall, remove PLASTER GUARD.
- Remove plug from shower pipe.



4 INSTALL DIVERTER TRIM AND HANDLE

- When finished tiling the wall, remove PLASTER GUARD.
- Place ESCUTCHEON (1) onto ESCUTCHEON HOLDER (2).
- Thread ESCUTCHEON HOLDER (2) onto DIVERTER VALVE (3). Tighten until ESCUTCHEON (1) is snug against finished wall.
- Install HANDLE SKIRT (4) onto VALVE STEM (5).
- Push DECORATIVE RING (6) onto LEVER HANDLE (7).
- Align LEVER HANDLE (7) and push onto HANDLE SKIRT (4). Install HANDLE SCREW (8) and tighten.
- Push INDEX CAP (9) into LEVER HANDLE (7).



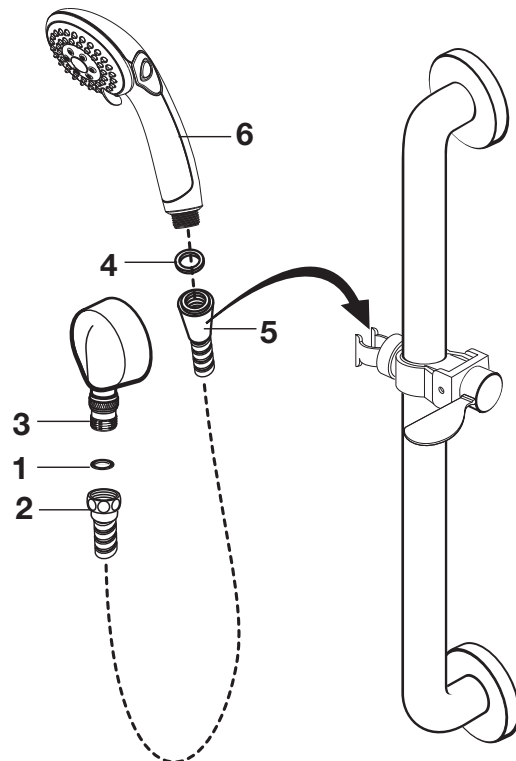
5 INSTALL WALL SUPPLY

- Supply to WALL SUPPLY is 1/2" NPT. See rough-in above for detailed information.
- Apply sealant or sealing tape to threads of 1/2" NPT supply nipple.



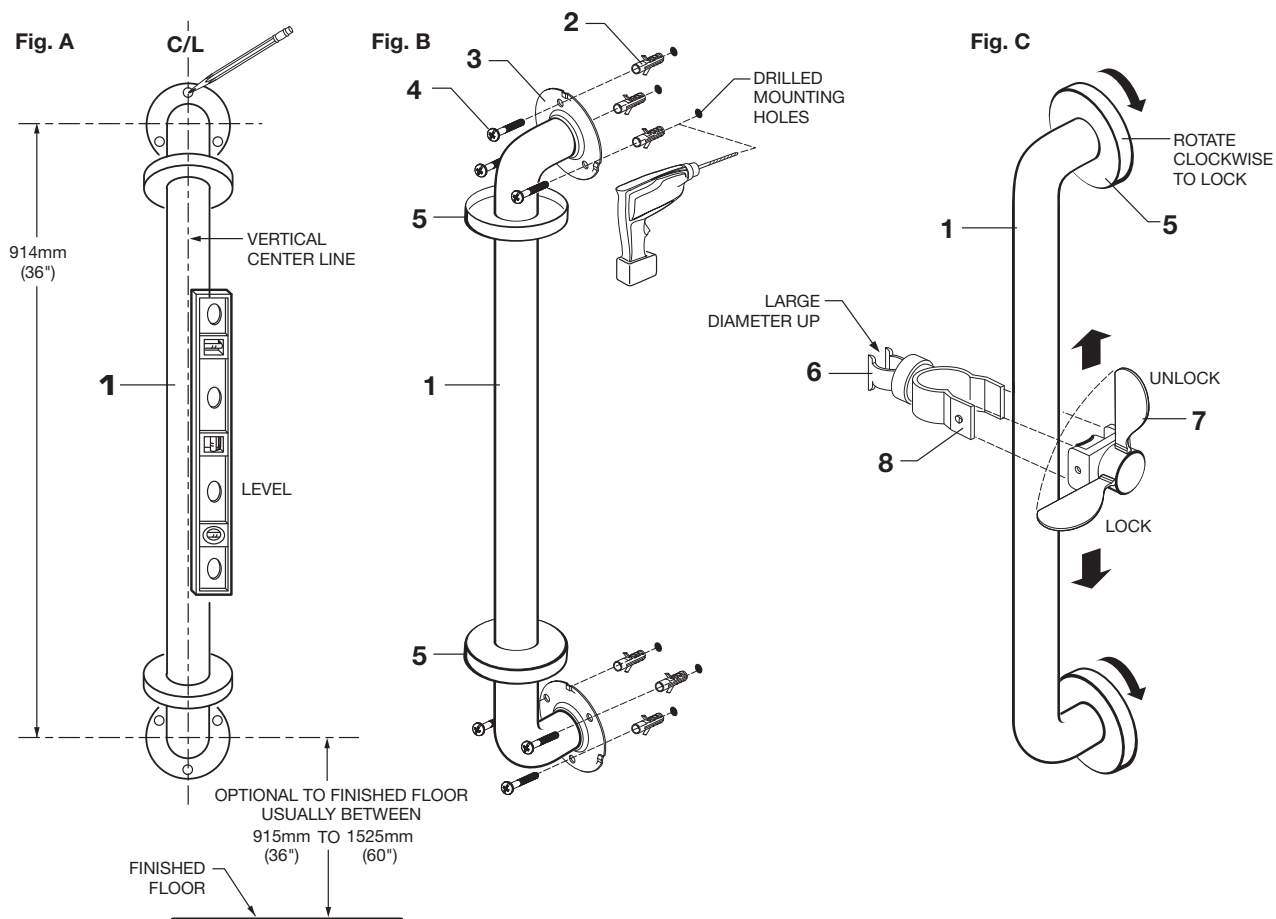
6 INSTALL HOSE AND HAND SHOWER TEST SHOWER SYSTEM

- Install SEAL (1) into COUPLING NUT (2). Connect COUPLING NUT (2) to WALL SUPPLY NIPPLE (3) and tighten.
- INSTALL second SEAL (4) into SPRAY HOSE END (5) and connect HAND SHOWER (6) to SPRAY HOSE END (5). Hand tighten.
- Turn on water supplies and check all functions of the SHOWER SYSTEM KIT. Check for any leaks.



7 INSTALLATION INSTRUCTIONS

- The SLIDE BAR (1) works best when secured to the wall studs or cross brace using WOOD SCREWS. If mounting into the studs is not possible, use appropriate wall fasteners provided to secure the installation.
- Mark a vertical center line in the location you wish to install the SLIDE BAR (1). **NOTE: The height from the finished floor is optional. See rough-in drawing for suggested dimensions.**
- Determine desired height from the finished floor to the lower support and mark a horizontal center line. Slide the two WALL ESCUTCHEONS (5) away from the MOUNTING FLANGES (3). Position the SLIDE BAR (1) as shown in Fig. A and mark the location of the six mounting holes to be drilled. Fig. A. Using a #10 masonry drill, drill six mounting holes 1-1/4" max. deep. Fig. B.
- Install the six ANCHORS (2) provided into the mounting holes. Use a hammer to lightly tap ANCHORS (2) into place. Make sure they are installed flush against the finished wall. Fig. B.
- Align and place the SLIDE BAR MOUNTING FLANGES (3) over the installed ANCHORS (2). Secure the SLIDE BAR (1) to the wall with the SCREWS (4) provided. Fig. B.
- Push WALL ESCUTCHEONS (5) against finished wall. Rotate WALL ESCUTCHEONS (5) clockwise to lock into position. Fig. C.
- Make sure larger diameter side of SPRAY HOLDER (6) is facing upward. If not rotate SPRAY HOLDER (6) 180 degrees. Rotate the LEVER HANDLE (7) to the unlocked position. Push the SPRAY HOLDER (6) side onto the SLIDE BAR (1). Push the LEVER HANDLE SIDE (7) over the SPRAY HOLDER ARMS (8) until the two snap together.
- Check operation of SLIDE BAR (1) by rotating HOLDER LEVER (7) and moving HAND SHOWER HOLDER (9) up and down. Rotate LEVER HANDLE (7) back to lock HAND SHOWER HOLDER (6). Fig. B.



CARE INSTRUCTIONS:

- DO:** SIMPLY RINSE THE PRODUCT CLEAN WITH CLEAR WATER. DRY WITH A SOFT COTTON FLANNEL CLOTH.
- DO NOT:** DO NOT CLEAN THE PRODUCT WITH SOAPS, ACID, POLISH, ABRASIVES, HARSH CLEANERS, OR A CLOTH WITH A COARSE SURFACE.