

INSTALLATION INSTRUCTIONS CARE AND MAINTENANCE

*American
Standard*

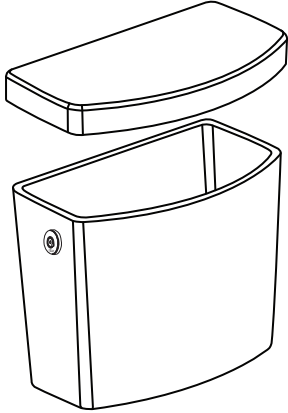
Studio® ActiVate™ Right Height® Elongated 2-piece Toilet
Model 2794.119

Studio® ActiVate™ Right Height® Round Front 2-piece Toilet
Model 2795.119

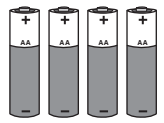
Thank you for selecting American Standard - the benchmark of fine quality for over 100 years. To ensure this product is installed properly, please read these instructions carefully before you begin. (Certain installations may require professional help.) Also be sure your installation conforms to local codes.

⚠ CAUTION: PRODUCT IS FRAGILE. TO AVOID BREAKAGE AND POSSIBLE INJURY HANDLE WITH CARE!
NOTE: Pictures may not exactly define contour of china and components.

TANK 4000.119



EZ-INSTALL KIT INCLUDED WITH TANK



AA Batteries (4)



Tank To Bowl
Gasket



Attachment
Handle

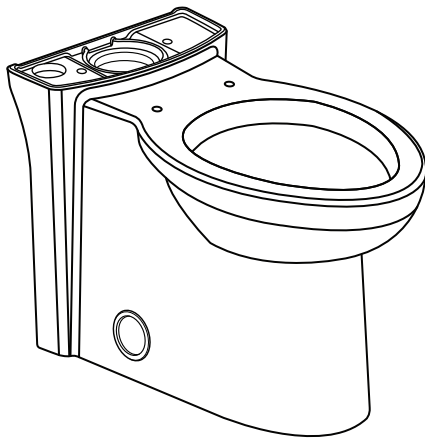


Plastic
Washers (2)

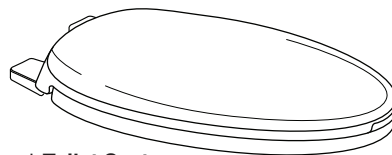


Nuts (2)

BOWL 3075.120 RIGHT HEIGHT® ELONGATED BOWL 3053.120 RIGHT HEIGHT® ROUND FRONT



EZ-INSTALL KIT INCLUDED WITH BOWL

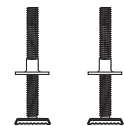


* Toilet Seat

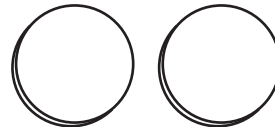
* For seat installation, see
instructions included with seat.



Bowl-To-Floor Knobs (2)

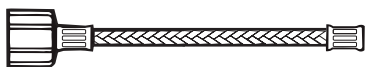


T-Bolts with Retainer (2)

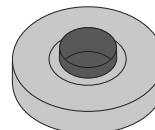


Bolt Covers (2)

SOLD SEPARATELY



Water Supply Line



Wax Ring

S A V E F O R F U T U R E U S E



7302165-100B

Product names listed herein are trademarks of AS America, Inc.
© AS America, Inc. 2016

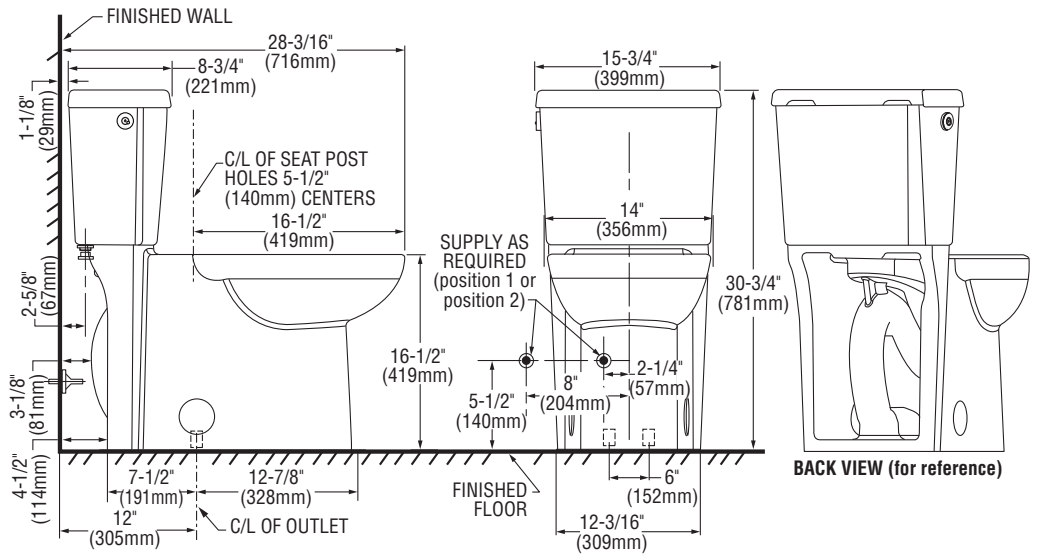
7302165-100 Rev. B 10/16

ROUGHING-IN DIMENSIONS:

NOTE: Distance from wall to closet flange centerline must be as listed:

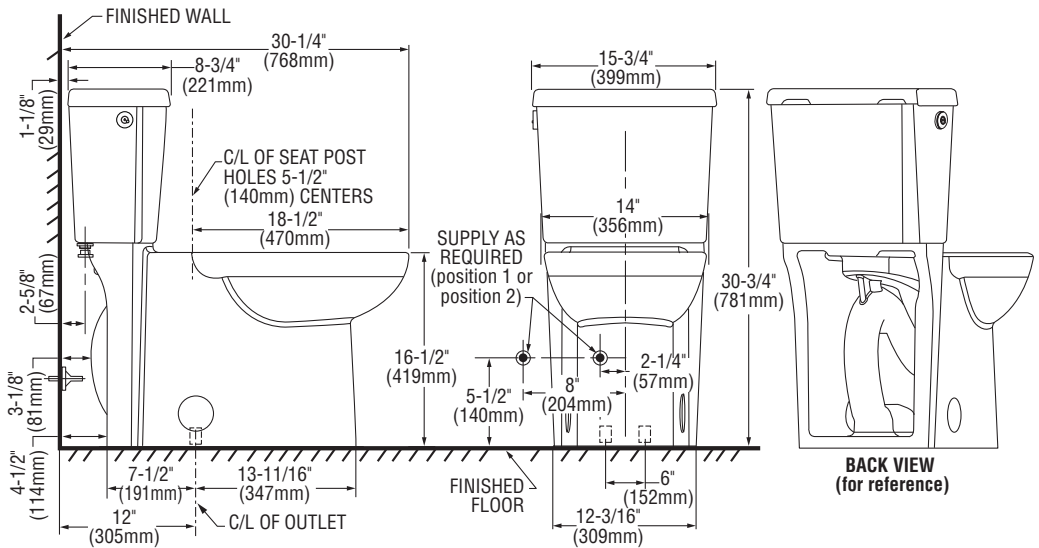
**Studio® ActiVate™ Right Height® Round Front
2-piece Toilet Model 2795.119**

IMPORTANT: Water supply on the wall is required at 2-1/4" or 8" from centerline of the toilet (see rough-in). First suggested position is hidden behind the toilet. The geometry of the toilet gives space for this installation. The second suggested position is next to the toilet. Between these two positions, the space for the supply between wall and toilet is limited to 4-1/2". In this case, check your supply and hose dimensions.



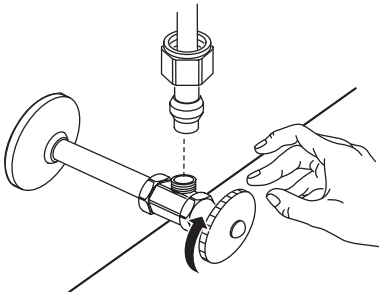
**Studio® ActiVate™ Right Height® Elongated
2-piece Toilet Model 2794.119**

IMPORTANT: Water supply on the wall is required at 2-1/4" or 8" from centerline of the toilet (see rough-in). First suggested position is hidden behind the toilet. The geometry of the toilet gives space for this installation. The second suggested position is next to the toilet. Between these two positions, the space for the supply between wall and toilet is limited to 4-1/2". In this case, check your supply and hose dimensions.



Before You Start:

Turn Off Water Supply

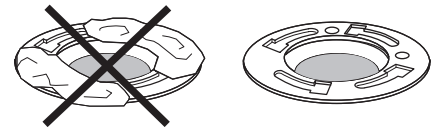


If Removing An Existing Toilet

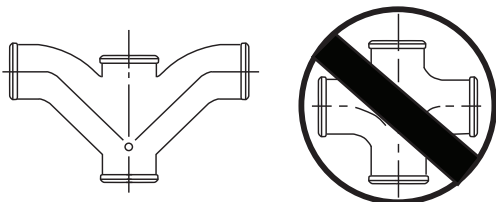
Flush to remove water from tank; sponge remaining water from bowl before removing toilet.



Clean Flange



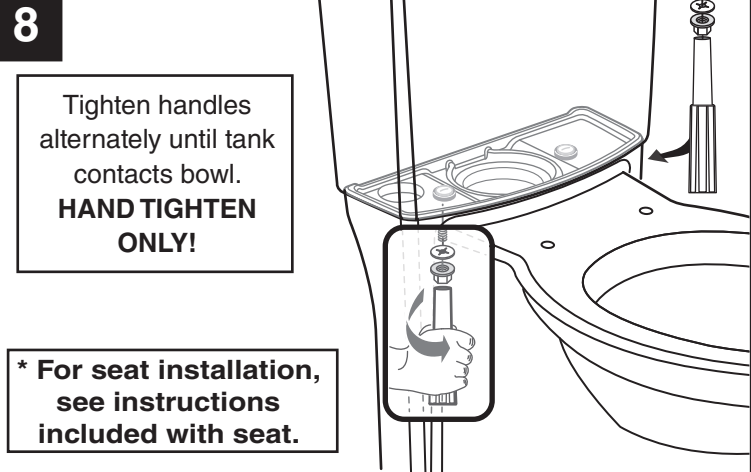
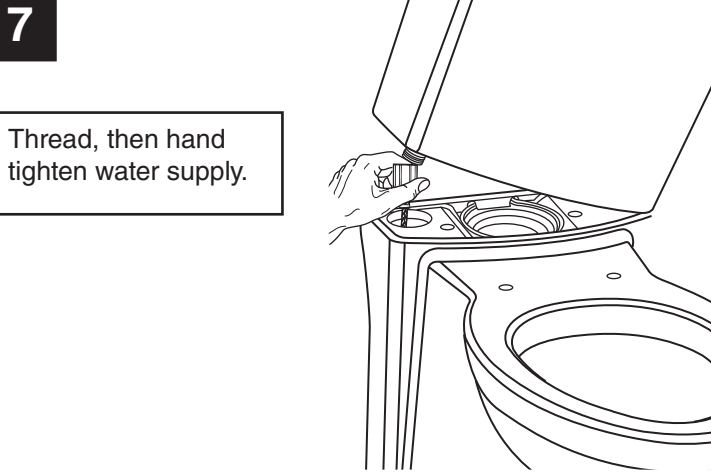
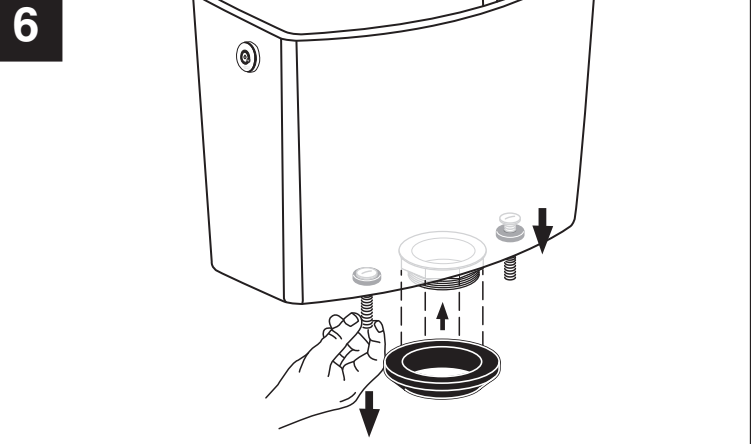
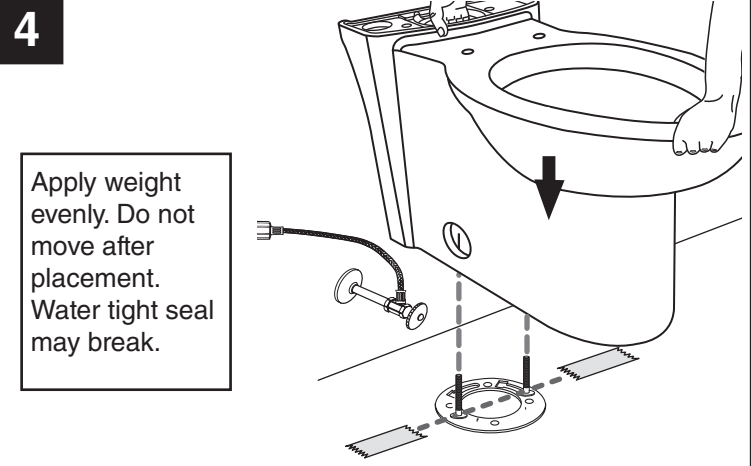
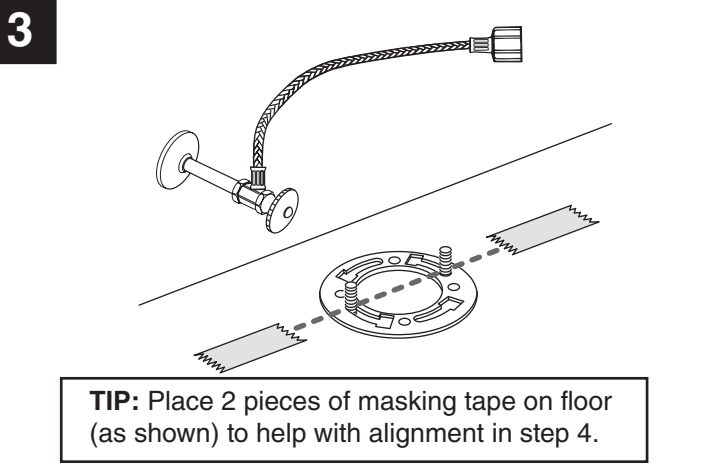
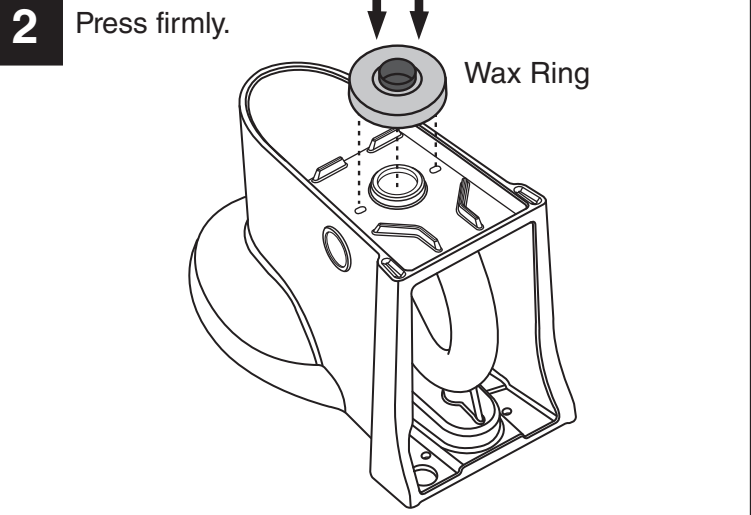
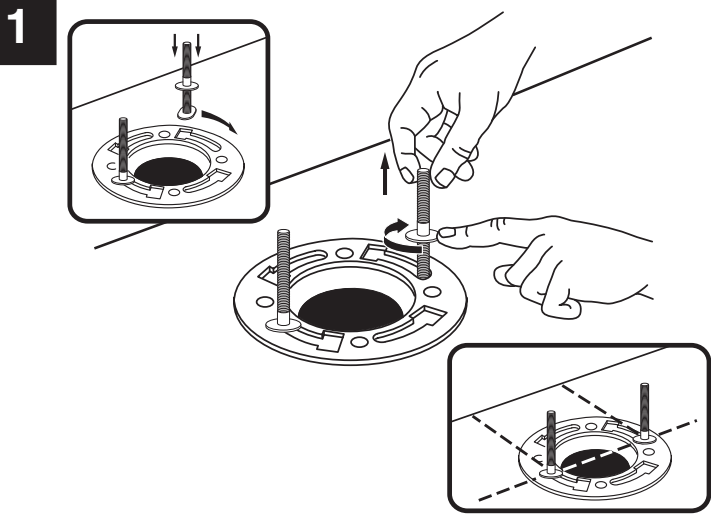
Caution: If leaving floor flange open for more than 1-2 hours, cover flange to prevent escaping sewer gases.



Recommended fitting type for back-to-back installations.

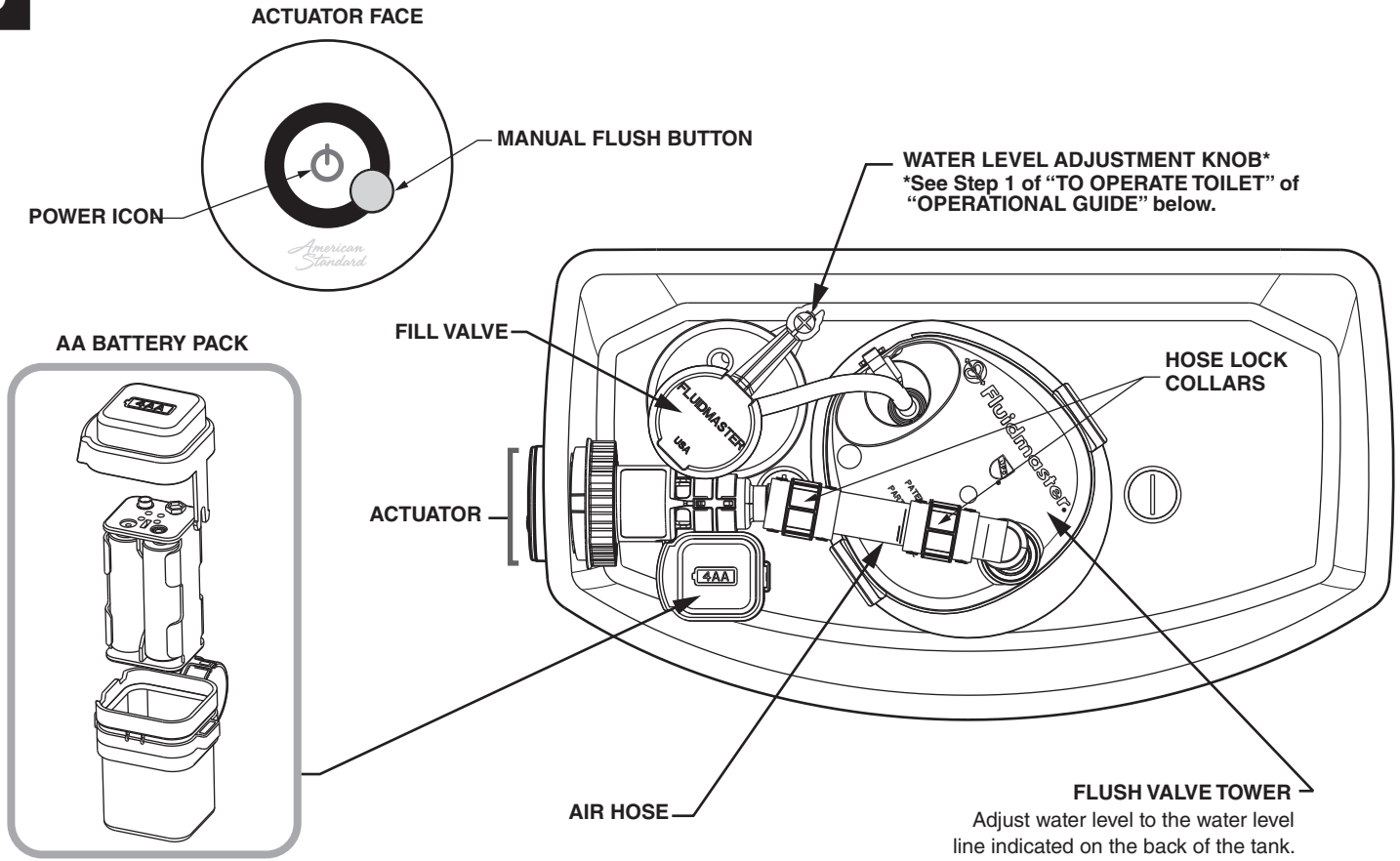
BACK-TO-BACK INSTALLATION

Depending upon your plumbing and venting conditions, the flow from the toilet in a back-to-back installation may create a vacuum on the system and draw water from the opposing bowl. The National Standards Plumbing Code prohibits the use of a cross fitting for drainage as throw over is possible. The code does approve a directional "Y" style fitting with proper venting to direct the water downward and away from the other toilet.



! WARNING: Overtightening of water supply line nuts could result in breakage and potential flooding. If the connection leaks after hand tightening, replace the supply line. Do not use any type of sealant on the water supply connection. Use of plumber's putty, pipe dope, or any other type of sealant will void the warranty.

9



OPERATIONAL GUIDE

<p>! TO INSTALL BATTERIES (4) AA Batteries ONLY (DO NOT USE 9 VOLT)</p>	<p>Step 1) Lift open rubber battery housing cover, remove battery tray and install 4 alkaline AA batteries into the battery tray.</p> <p>Step 2) Insert battery tray back into the battery housing and connect sensor plug to battery tray. Sensor will flash red once followed by 3 consecutive blue flashes.</p> <p>Step 3) Route wires through slot in battery housing and close battery housing cover making sure it is secure to prevent corrosion.</p>
<p>TO OPERATE TOILET</p>	<p>* Step 1) Turn on water supply. Adjust water level to water level line indicated on the back of the tank by turning Water Level Adjustment Knob on fill valve to move float cup up or down. Turning knob clockwise raises water level. Turning knob counterclockwise lowers water level. It is critical that water be filled exactly to specified water level for optimum performance.</p> <p>Step 2) To flush toilet, swipe hand within 3 inches of activation sensor on side of toilet. Sensor will flash blue twice.</p>
<p>TO OPERATE ON/OFF FEATURE <i>On/Off feature puts the sensor into an off mode for 10 minutes, allowing time to clean in the bathroom area without constantly flushing the touchless toilet.</i></p>	<p>Step 1) Feature is activated by touching the Power Icon for 3-6 seconds. Sensor will flash blue twice and then constantly flash red while in this mode.</p> <p>Step 2) Exit off mode by touching the Power Icon for 3-6 seconds. Sensor will flash blue 4 times.</p>

Troubleshooting Guide

Problem/Indicator	Possible Cause	Corrective Action
No flush or delayed flush	a. No batteries	a. Install 4 alkaline AA batteries to the Activation Battery Case.
	b. Dead batteries. A light will blink red every time the sensor is operated to indicate low battery.	b. Replace 4 AA batteries in the Activation Battery Case with new batteries.
	c. Incorrect water level in tank	c. If water level is too low or too high, flush performance is affected. Fill water in the tank to the correct level, as specified on the back of the tank.
	d. Air Hose not connected	d. Connect Air Hose to the Valve at end of the Activation Unit.
	e. No water in the tank	e. Fill the tank with water to the level specified on the label on the back of tank.
	f. Sensor is OFF. A red light will flash when the sensor is OFF.	f. On/Off feature puts the sensor into an off mode for 10 minutes, allowing one to clean in the bathroom area without constantly flushing the touchless toilet. Feature is activated by touching the Power Icon for 3-6 seconds. Exit On/Off mode by touching the Power Icon for 3-6 seconds, as indicated by 4 flashes of the blue LED.
	g. Toilet is clogged	g. First deactivate the sensor by disconnecting the battery connector from the sensor unit and use the manual flush button if you need to flush after unclogging the toilet. Once the toilet is unclogged, you can reconnect the battery connector to the sensor unit and operate the sensor normally.
	h. Toilet is in lock out mode (flush command was initiated during an existing flush/fill cycle)	h. After a flush command is initiated, the toilet will enter a temporary "lock out mode", and not accept another flush command until approximately 35 seconds. This is required in order for the system to complete a full flush & refill cycle.
	i. Touchless hand swipe was too fast	i. Initiate a slightly slower hand swipe within the sensor area.
	j. Touchless hand swipe was not in sensor detection area	j. Sensor detection area is directly in front of the sensor face and up to 3 inches away from the surface.
	k. Water supply valve closed	k. Open valve and allow water to fill tank.
	l. Supply line blocked	l. Shut off water supply, disconnect supply line and inspect all gaskets and washers. Reassemble.
	m. Sand or debris lodged in water control	m. Shut off water supply. Remove cap and clean as per Fluidmaster maintenance instructions at: http://www.fluidmaster.com/valve-runs-non-stop.html
Leaking	a. Incorrect water level	a. If water level is too low or too high, flush performance is affected and leaking may occur. Fill water in the tank to the correct level, as specified on the label on the back of tank.
	b. Debris on sealing surface	b. Remove debris on sealing surface causing the leak.
	c. Loose Shank Nut	c. Tighten the Shank nut to eliminate the leak.
	d. Refill water level is too high	d. Leaking occurs through the overflow tube due to the Fill Valve float setting too high. Lower the float setting until the Fill Valve refills to the correct water level.
Partial Flush	a. Refill clip/tube is not installed in the Overflow Tube	a. Connect the refill clip to the Overflow Tube.
	b. Incorrect water level	b. If water level is too low or too high, flush performance is affected. Fill water in the tank to the correct level, as specified on the label on the back of tank.
	c. Manual Flush Button not fully depressed	c. Press the Manual Flush Button in further.
Unintended Flush	a. Motion or object in sensor area	a. Remove item from the sensor activation area.
	b. Autoflush	b. When not in use, the system will initiate an automatic flush every 12 days.
Manual Button not working	a. Touchless Mode is Active (batteries are connected, system is not in turned OFF)	a. If a user attempts to press the Manual Button, the Touchless system will recognize motion in the activation area and initiate the flush before the user is able to press the button.
	b. Manual Button is not depressed completely	b. Press the Manual Flush Button in further.
	c. There is no water in the tank	c. Fill the tank with water to the level specified on the label on the back of tank.
	d. Air Hose not connected	d. Connect Air Hose to the Valve at one end and the Activation Unit at the other end. Slide hose collars over ends to lock in place.
	e. Incorrect water level	e. If water level is too low or too high, flush performance is affected. Fill water in the tank to the correct level, as specified on the label on the back of tank.
Red LED flashes during flush	a. Remaining battery power is low.	a. Replace batteries.
Red LED constantly flashing	a. Sensor has been turned OFF	a. Exit OFF Mode by touching the Power Icon for 3-6 seconds, as indicated by 4 flashes of the blue LED.
Blue LED is flashing	a. System has received a flush command and is executing a flush cycle	a. NA
LED flashing red and blue	a. System is executing initial boot up phase after batteries are connected	a. NA. This is normal behavior for the sensor at start up.
Toilet leaks	a. Poor supply line connection	a. Review Step 10 of installation instructions.
	b. Poor bowl to tank/floor connection	b. Review Step 3 through 8 of installation procedure.
Toilet bowl rocks after installation	a. Wax ring not fully compressed	a. Retighten bowl-to-floor knobs.
	b. Floor not level	b. Use toilet shims and/or place a bead of caulk around the base of the toilet.

Parts List can also be found under the tank lid.

PARTS LIST

Parts are determined by toilet tank number which can be found marked inside tank.

NOTE: "XXX" represents color or trim finish options. Specify when ordering.

PL 7302164-100 Rev. A

735158-400.XXX	Tank Cover
7381125-400.0070A	Universal Inlet Valve Assembly
7381551-401.0070A	Flush Valve Tower Assembly w/ Gasket, Washer & Nut
7381553-201.0070A	Hose Assembly w/ Lock Sleeves
7381549-201.0070A	Flush Valve Float w/ Seal
7381550-201.0070A	Actuator Less Battery Holder Case
7381552-201.0070A	Battery Holder Case
7381147-200.0070A	Tank to Bowl Coupling Kit w/ Gasket
7381437-200.0070A	Floor Mounting Hardware Kit - (T-Bolts, Retainers & Screw Knobs)
7301540-200.XXX0A	Bolt Cap Kit - (Includes Covers, Sleeves & Retaining Rings)

CARE AND CLEANING

When cleaning your toilet, wash it with mild, soapy water, rinse thoroughly with clear water and dry with a soft cloth.

WARNING: Do not use in-tank cleaners. These products can seriously corrode fittings in the tank. This damage can cause leakage and property damage. **American Standard shall not be responsible or liable for any damage caused by the use of in-tank cleaners.**

TOILET LIMITED WORRY-FREE WARRANTY

This toilet comes with a limited lifetime warranty on chinaware, a limited 5 year warranty on all mechanical parts of the toilet, 1 year warranty on electronic parts and a limited 1 year warranty on the toilet seat if included with product. If inspection of this AS America, Inc. ("American Standard") plumbing product, inclusive of the chinaware and all mechanical parts, confirms that it is defective in materials or workmanship, American Standard will repair or, at its option, exchange the product for the same or a similar model.

This limited warranty applies only to the original non-commercial purchaser and installation of the products. In the event of a limited warranty claim, proof of purchase will be required – save sales receipts.

For this warranty to become effective, the warranty registration process must be completed via the internet or telephone per the warranty registration instructions.

This limited warranty does not apply to commercial installations. The warranty for commercial installations is 1 year on chinaware and mechanical parts, 1 year warranty on electronic parts and 1 year on the toilet seat if included with product.

This warranty **does not apply** to local building code compliance. Since local building codes vary considerably, the purchaser of the product should check with a local building or plumbing contractor to ensure local code compliance before installation.

This warranty **will be void** if the product has been moved from its initial place of installation; if it has been subjected to faulty maintenance, abuse, misuse, accident or other damage; if it was not installed in accordance with American Standard's instructions; or if it has been modified in a manner inconsistent with the product as shipped by American Standard.

WARNING: This warranty **DOES NOT COVER** any damages caused by the use of in-tank cleaners. These products can seriously corrode the fittings in the tank. This damage can cause leakage and property damage. **American Standard will not be responsible or liable for any damage caused by the use of in-tank cleaners.**

American Standard's option to repair or exchange the product under this warranty does not cover any labor or other costs of removal or installation including any costs of any surrounding material such as tile or marble. **American Standard is not responsible for any other incidental or consequential damages attributed to a product defect or to the repair or exchange of a defective product, all of which are expressly excluded from this warranty.** (Some states or provinces do not allow the exclusion or limitation of implied warranties, so this exclusion may not apply to you.)

This warranty gives you specific rights. You may have other statutory rights that may vary from state to state or province to province, in which case this warranty does not affect such statutory rights.

In the United States:
 American Standard Brands
 1 Centennial Ave.
 Piscataway, New Jersey 08854
 Attention: Director of Customer Care
 For residents of the United States, warranty information may also be obtained by calling the following toll free number: (800) 442-1902
www.americanstandard.com

In Canada:
 AS Canada, ULC
 5900 Avebury Rd.
 Mississauga, Ontario
 Canada L5R 3M3
 Toll Free: (800) 387-0369
www.americanstandard.ca

In Mexico:
 American Standard B&K Mexico
 S. de R.L. de C.V.
 Via Morelos #330
 Col. Santa Clara
 Ecatepec 55540 Edo. Mexico
 Toll Free: 01-800-839-1200
www.americanstandard.com.mx

PLEASE COMPLETE AMERICAN STANDARD WARRANTY REGISTRATION PROCESS AND SAVE THIS WARRANTY INFORMATION

IMPORTANT: Registration of the toilet must be completed for this warranty to become effective. Your registration will make it easier to contact you in the event of a product recall.*

INSTRUCTIONS: Register your toilet at www.americanstandard.com. Please save your proof of purchase (sale receipt).

If you need assistance or do not have access to our website, please contact American Standard Customer Care at: (800) 442-1902. An American Standard representative will assist in completing the warranty registration.

* In California, your warranty rights remain intact even if you do not complete the registration process.

THIS WARRANTY IS NOT TRANSFERABLE FROM ORIGINAL CONSUMER PURCHASER.

7302165-100