



- Maintains the set flow rate within +/- 5% regardless of pressure fluctuations in the system
- Saves pump energy and improves coil efficiency

Circuit Sentry™ Flo-Setter II

A PRESSURE INDEPENDENT BALANCING VALVE
WHERE YOU CAN SET IT & FORGET IT!

A-633B

 **Bell & Gossett**
a xylem brand

The new Bell & Gossett Circuit Sentry™ Flo-Setter II

Dynamic balancing valve is simple to select and easy to use.

Why allocate more time and money than necessary to balance heating and cooling systems? Just set the flow and the Circuit Sentry Flo-Setter II valve does the rest. The **GPM dial** is unique and easy to set. Once set, no adjustments are required even if the pressure varies or the system is changed. It is as simple as it gets.

The Circuit Sentry Flo-Setter II valve is easy to install and maintains set flow rate even when installed next to a pipe bend or fitting. The easy to read gallons per minute scale on the lockable handle ensures that the flow setting is simple and user friendly while the integral P/T plugs allow verification of required differential pressure.



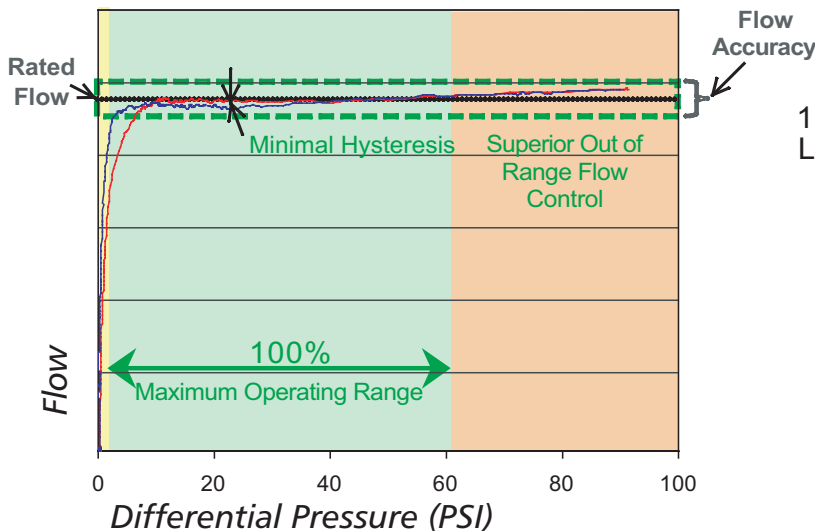
Externally adjustable flow limiter that provides hydronic balance for ultimate system efficiency

- The unique **GPM dial** is easy to set.
- **Requires no instruments, charts or wheels**
- Maintains the set flow rate within +/- 5% regardless of pressure fluctuations in the system
- Saves pump energy and improves coil efficiency
- Easy to install and lockable handle allows simple adjustment to design or required flow rate should specifications change
- Minimized commissioning time due to automatic balancing of the system
- No minimum straight pipe lengths required before or after the valve
- Integrated pressure / temperature ports to easily measure differential pressure and temperature
- Large open flow paths for clog-free operation
- Integral Valve shut-off with additional optional isolation ball valve

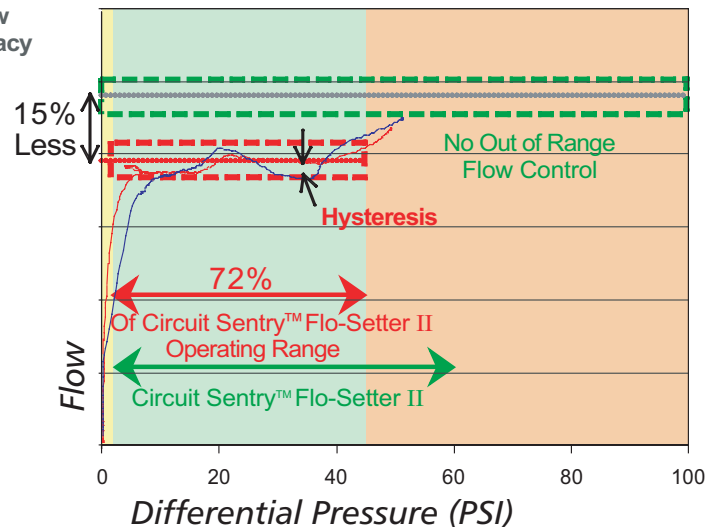
Measuring up against the others.

When Bell & Gossett is directly compared to others in lab tests, Circuit Sentry Flo-Setter II operation and stability of flow is far superior. Trust Bell & Gossett to deliver the results that are needed for ultimate system efficiency - the others just don't stack up.

Circuit Sentry Flo-Setter II Performance



Competitor's Flow Test



Circuit Sentry Flo-Setter II is the perfect solution for hydronic system balance

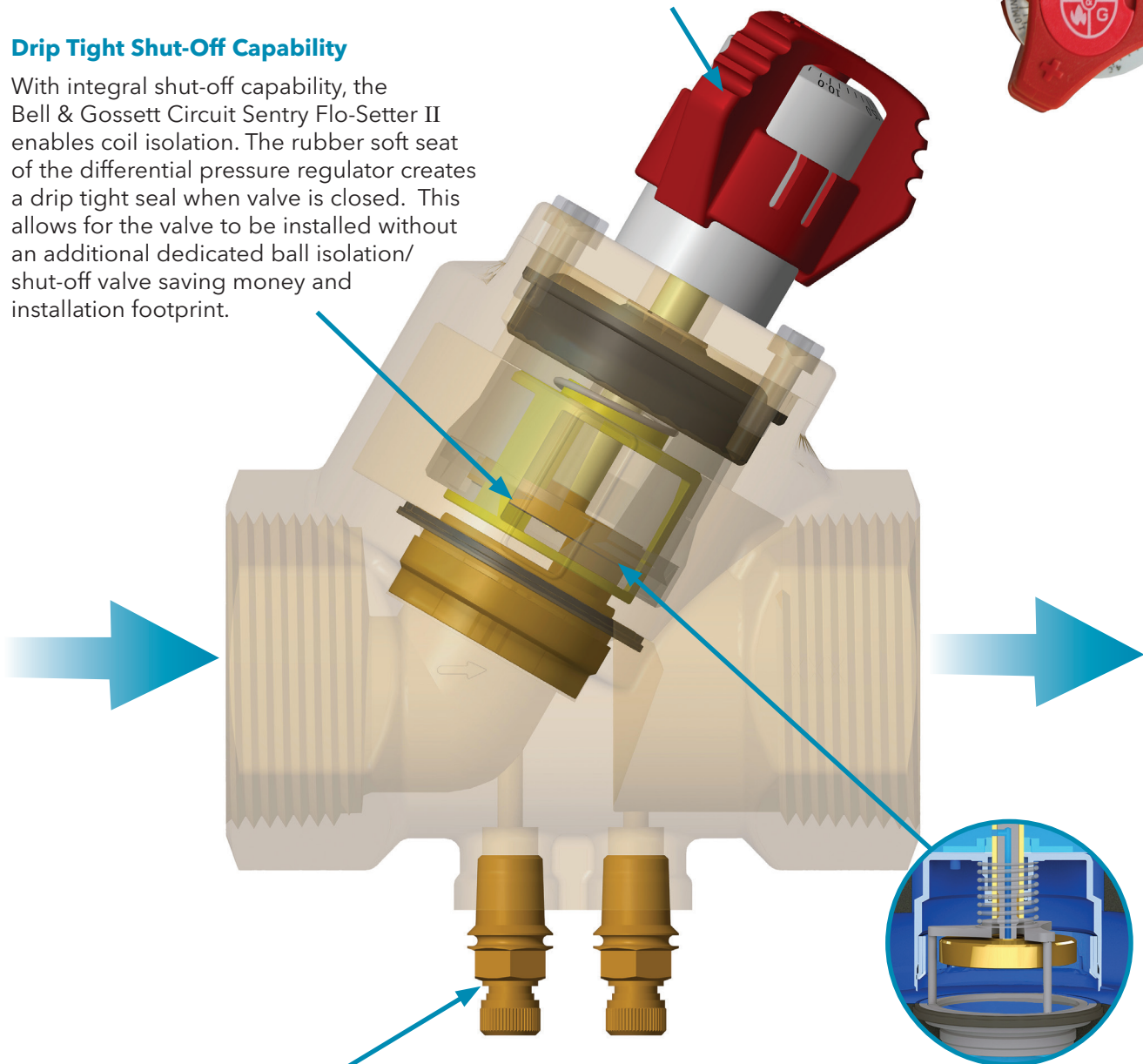
GPM Dial

All Bell & Gossett Circuit Sentry Flo-Setter II valves have an easy-to-read GPM dial to set the desired flow through the valve without additional charts or calculations. The Flo-Setter II is the only pressure independent flow limiting valve that offers a GPM dial for unrivaled simplicity and ease of use.



Drip Tight Shut-Off Capability

With integral shut-off capability, the Bell & Gossett Circuit Sentry Flo-Setter II enables coil isolation. The rubber soft seat of the differential pressure regulator creates a drip tight seal when valve is closed. This allows for the valve to be installed without an additional dedicated ball isolation/shut-off valve saving money and installation footprint.



Pressure/Temperature Ports

The Bell & Gossett Circuit Sentry Flo-Setter II has two easy to access integral P/T ports that allow the pressure drop across the valve to be easily validated. If the pressure drop is within the control range of the valve, as provided in Submittal A-611.1, the valve is correctly limiting flow as set on the GPM dial.

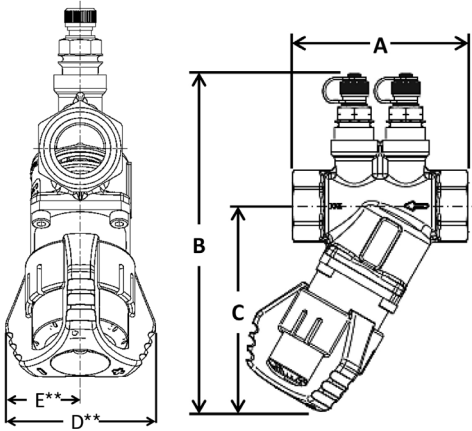
Differential Pressure Regulator

The integral differential pressure regulator constantly adjusts and compensates for fluctuations in system pressure, ensuring a constant flow rate and reducing energy use due to overflows and underflows. The result is more consistent energy transfer and improved occupant comfort.

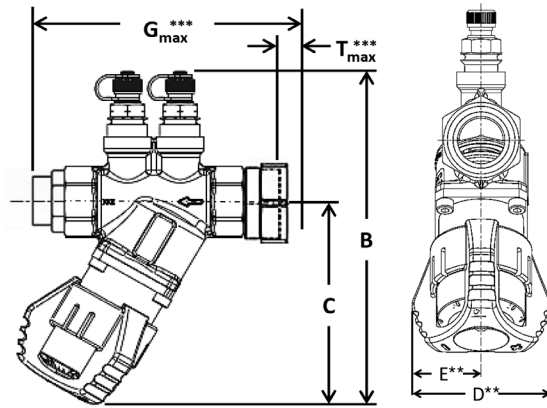
Easy to use, set it & forget it!

Circuit Sentry Flo-Setter II

Circuit Sentry Flo-Setter II Technical Data



Model Number	Part Number	Size	Connection Type	DIMENSIONS* IN INCHES (mm)					Flow Capacity in GPM (L/hr)		Approx. Weight lbs. (kg)
				A	B	C	D**	E**	Min.	Max.	
FS-1/2	117630	1/2"	NPT Female	2.9 (75)	5.6 (144)	3.4 (87)	2.24 (57)	1.12 (28)	0.26 (60)	4.75 (1,080)	1.1 (0.5)
FS-3/4	117632	3/4"	NPT Female	3.1 (79)	5.6 (144)	3.4 (87)	2.24 (57)	1.12 (28)	0.45 (102)	8.50 (1,930)	1.3 (0.6)
FS-1	117643	1"	NPT Female	3.9 (100)	6.8 (173)	4.3 (110)	2.54 (65)	1.27 (33)	0.60 (136)	10.56 (2,400)	2.8 (1.3)
FS-1-1/4	117636	1 1/4"	NPT Female	4.0 (104)	7.0 (178)	4.3 (110)	2.54 (65)	1.27 (33)	0.88 (200)	22.01 (5,000)	3.1 (1.4)
FS-1-1/2	117637	1 1/2"	NPT Female	5.4 (138)	7.9 (201)	5.1 (131)	3.60 (92)	1.80 (46)	3.17 (719)	32.58 (7,400)	6.6 (3.0)
FS-2	117638	2"	NPT Female	5.4 (138)	8.1 (207)	5.1 (131)	3.60 (92)	1.8 (46)	3.96 (900)	45.57 (10,350)	7.5 (3.4)



Model AF Technical Data (includes union tailpiece)

Model Number	Valve Size Fixed End	Connection Fixed End	DIMENSIONS* IN INCHES (mm)						Flow Capacity in GPM (L/hr)		Approx. Weight lbs. (kg)
			B	C	D**	E**	G Max***	T Max***	Min.	Max.	
AF-1/2	1/2"	Sweat Female	5.6 (144)	3.4 (87)	2.24 (57)	1.12 (28)	5.6 (142)	1.55 (39)	0.26 (60)	4.75 (1,080)	1.2 (0.5)
		NPT Female	5.6 (144)	3.4 (87)	2.24 (57)	1.12 (28)	5.0 (127)	1.55 (39)	0.26 (60)	4.75 (1,080)	1.2 (0.5)
AF-3/4	3/4"	Sweat Female	5.6 (144)	3.4 (87)	2.24 (57)	1.12 (28)	6.3 (160)	1.55 (39)	0.45 (102)	8.50 (1,930)	1.5 (0.7)
		NPT Female	5.6 (144)	3.4 (87)	2.24 (57)	1.12 (28)	5.3 (135)	1.55 (39)	0.45 (102)	8.50 (1,930)	1.5 (0.7)
AF-1	1"	Sweat Female	6.8 (173)	4.3 (110)	2.54 (65)	1.27 (33)	7.6 (193)	2.00 (51)	0.60 (136)	10.56 (2,400)	3.1 (1.4)
		NPT Female	6.8 (173)	4.3 (110)	2.54 (65)	1.27 (33)	6.4 (163)	2.00 (51)	0.60 (136)	10.56 (2,400)	3.1 (1.4)
AF-1-1/4	1 1/4"	Sweat Female	7.0 (178)	4.3 (110)	2.54 (65)	1.27 (33)	7.9 (201)	2.00 (51)	0.88 (200)	22.01 (5,000)	3.6 (1.6)
		NPT Female	7.0 (178)	4.3 (110)	2.54 (65)	1.27 (33)	6.7 (170)	2.00 (51)	0.88 (200)	22.01 (5,000)	3.6 (1.6)
AF-1-1/2	1 1/2"	Sweat Female	7.9 (201)	5.1 (131)	3.60 (92)	1.8 (46)	10.6 (269)	2.52 (64)	3.17 (719)	32.58 (7,400)	7.6 (3.4)
		NPT Female	7.9 (201)	5.1 (131)	3.60 (92)	1.8 (46)	9.2 (234)	2.52 (64)	3.17 (719)	32.58 (7,400)	7.6 (3.4)
AF-2	2"	Sweat Female	8.1 (207)	5.1 (131)	3.6 (92)	1.80 (46)	11.7 (297)	3.14 (80)	3.96 (900)	45.57 (10,350)	8.7 (3.9)
		NPT Female	8.1 (207)	5.1 (131)	3.6 (92)	1.80 (46)	9.7 (246)	3.14 (80)	3.96 (900)	45.57 (10,350)	8.7 (3.9)

*All dimensions +/- 0.125" (3.2 mm) tolerance. Dimensions are subject to change. Not to be used for construction purposes unless certified.

**Dimension is of maximum width of the handle or body, whichever is greater.

***Includes tailpiece. Measurement of maximum length tailpiece available.

For minimum differential requirements please refer to submittal A-611.1 on our website. Maximum differential pressure is 58 PSID.

Minimum temperature is 14°F (-10°C) to 248°F (120°C). Maximum operating pressure is 375 PSI.

NOTE: Model AF valves are configured valves and therefore have no part numbers. They include union tail pieces and can be selected to include optional ball isolation/shut-off valve.



Xylem Inc.
8200 N. Austin Avenue
Morton Grove, Illinois 60053
Phone: (847) 966-3700 Fax: (847) 965-8379
www.bellgossett.com

Bell & Gossett is a trademark of Xylem Inc. or one of its subsidiaries.
© 2017 Xylem Inc. A-633B March 2017

We value your feedback. Please take our 3 question survey at bellgossett.com/survey to let us know how we are doing.