

Push Button Electronic Shower 860T and 861T

TECK[®]
COMMERCIAL



Specification: (example)

- Push button electronic shower system
 - **Hardwire** – 24 VAC to 6 VDC or **Battery** – 4 “AA” 6 VDC
 - Stainless steel cover with S/S vandal resistant mounting screws
 - Metal mounting box
 - Field adjustable shower time
 - Slow closing solenoid valve
 - Integral stop
 - Tempered water supplied to solenoid valve (except control box options No. 3 and 6)
- and... with... (add shower required)
 with... (add control/sensor box required)
 with... (hardwire with battery backup – specify separately – See Next Page)
 with... (transformer – specify separately – See Next Page)

860T167



Engineer/Architect Approval

Model Specified:

Approval:

Date:

DESCRIPTION	PRODUCT NO.
Hardwire	860T1
Battery Operated	861T1

-		
-		



	SHOWER	SENSOR
<input checked="" type="checkbox"/>	<input checked="" type="checkbox"/>	<input checked="" type="checkbox"/>
0	0 Specify "0" when no shower required. (1) <input type="checkbox"/>	0 <input type="checkbox"/>
1	1 <input type="checkbox"/>	1 <input type="checkbox"/>
2	2 <input type="checkbox"/>	2 <input type="checkbox"/>
3	3 Showerhead, Arm & Set Screw Flange 1.5 gpm (5.7 L/min) <input type="checkbox"/>	3 Recessed Mount with 8" Metal Box – No Mix Valve SEE Specification Drawing #20 <input type="checkbox"/>
4	4 <input type="checkbox"/>	4 <input type="checkbox"/>
5	5 Handshower with 2 Check Valves, 610mm (24") S/S Bar with ADA Slide 1.5 gpm (5.7 L/min) <input type="checkbox"/>	5 <input type="checkbox"/>
6	6 30° Vandal Resistant, Cast Wallmount Showerhead 1.5 gpm (5.7 L/min) <input type="checkbox"/>	6 Components only UNASSEMBLED 4" Metal Box – No Mix Valve SEE Specification Drawing #21 <input type="checkbox"/>
7	7 30° Vandal Resistant, Forged Brass Wallmount Showerhead 1.5 gpm (5.7 L/min) <input type="checkbox"/>	7 Recessed Mount with 10" Metal Box and User Controlled Pressure Balance Mixing Valve SEE Specification Drawing #22 <input type="checkbox"/>
8	8 <input type="checkbox"/>	8 Recessed Mount with 10" Metal Box and Concealed Thermostatic Mixing Valve SEE Specification Drawing #23 <input type="checkbox"/>
9	9 <input type="checkbox"/>	9 <input type="checkbox"/>

Refer to www.specselect.com for individual models. Note: Use this page front and back, with specification drawing page referenced above, as product submittal sheets.
 1) #7 Control box pressure balance valve rated minimum 1.2 gpm @ 45 psi (4.5 L/min @ 310 kPa). #8 Control box thermostatic valve rated minimum 0.35 gpm @ 45 psi (1.3 L/min @ 310 kPa).
 Stated flow rate for showerheads @ 80 psi (552 kPa) maximum.

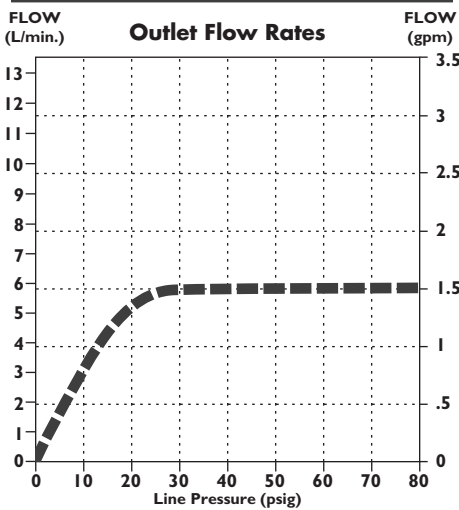
Delta reserves the right (1) to make changes in specifications and materials, and (2) to change or discontinue models, both without notice or obligation. Dimensions are for reference only. See current full-line price book or www.specselect.com for finish options and product availability.

Approvals:

- ASME A112.18.1 / CSA B125.1
- Indicates compliance to ICC/ANSI A117.1
- Control/Sensor Box Option 7, Pressure Balancing Valve, complies with ASSE 1016
- Control/Sensor Box Option 8, Thermostatic Mixing Valve certified to ASSE 1069, ASSE 1070 and CSA B.125.3
- Handshower back flow protection provided by two integral certified check valves in series, which operate independently, ASME A112.18.3

(Contact Delta Representative for State and/or Local Approvals.)

Patented


FLOW RATE vs PRESSURE


Shower Outlets

■ No. 3, 5, 6 & 7
 (52672-15-BG, 59462-WHB15-BG, 061011A, 063196A)

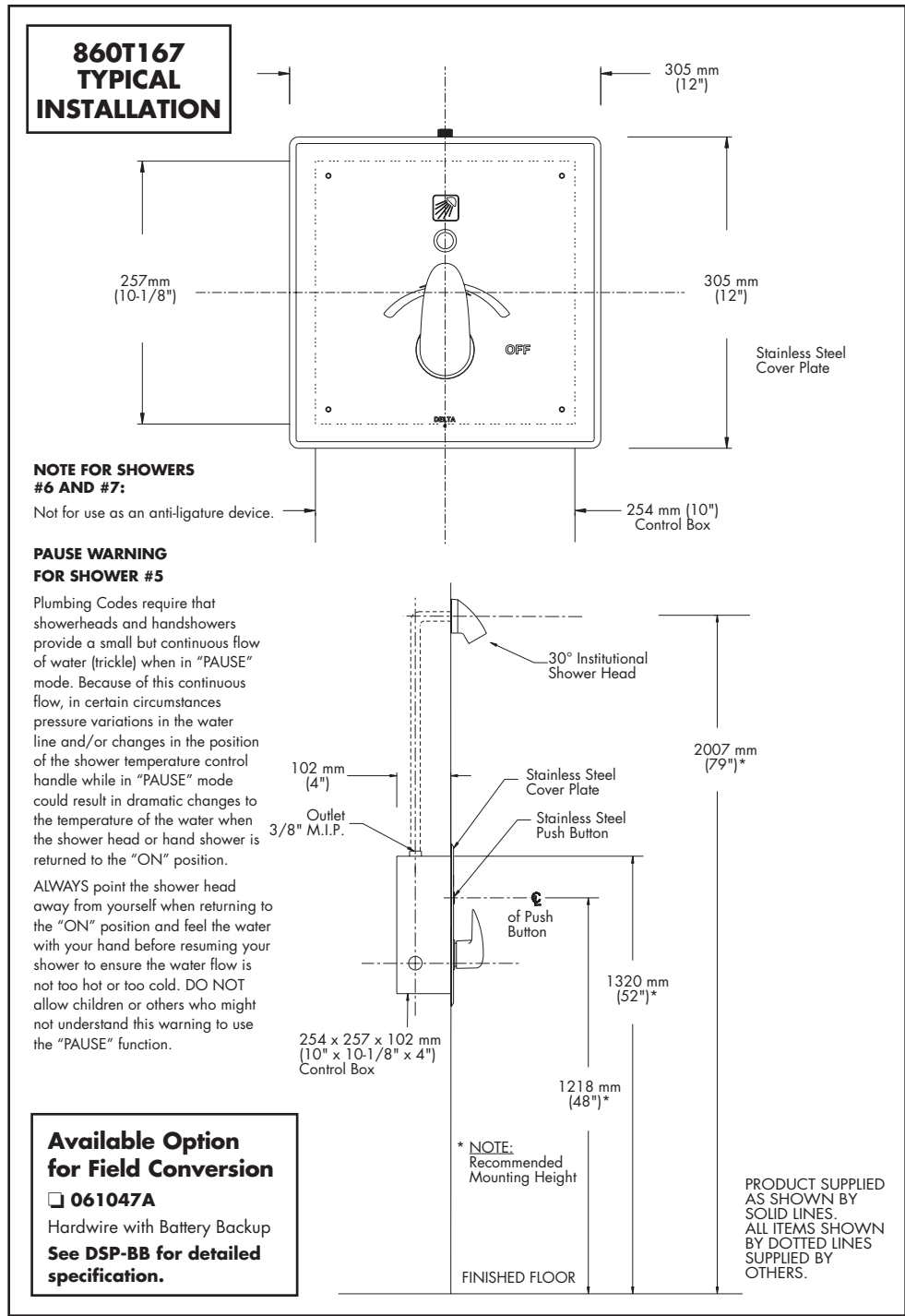
OPERATION:

- Shower flows when push button is activated.
- Adjustable maximum continuous run time 10 minutes.
- Factory set to 3 minutes.

NOTE: For optimum performance of this product, we recommend a system pressure between 20 and 80 PSI static. This product will operate up to a maximum of 125 PSI static per ANSI and CSA requirements. However, we do not recommend pressures above 80 PSI. Thermal expansion or leaking pressure reducing valves may require use of expansion tanks or relief valves to ensure your system never exceeds its maximum intended pressure setting.

Note: Measurements may vary ± 6mm (0.25")

Refer to www.specselect.com for individual models.
 Product supplied as shown by solid lines. All items shown by dotted lines supplied by others.


860T & 861T ELECTRONIC SHOWER OPTIONAL ACCESSORIES:

✓	TRANSFORMERS:
✓	060704A 110 to 24VAC Class II 20VA (Up to 5 Electronic Valves)
✓	060771A 110 to 24VAC Class II 40VA (Up to 10 Electronic Valves)
✓	CORDS:
✓	060901A 12" Solenoid Extension Cord
✓	060902A 36" Solenoid Extension Cord

TEMPERED WATER – ASSEMBLED CONTROL BOX

860T AND 861T SERIES

✓	PRODUCT NO.	VALVE TYPE	MOUNT TYPE	COVER
	860T1	3	Push Button Shower Valve – Hardwire	254 mm (10") Stainless Steel
	861T1	3	Push Button Shower Valve – Battery	254 mm (10") Stainless Steel

860T AND 861T SERIES

Battery Operated – Batteries and battery pack supplied.

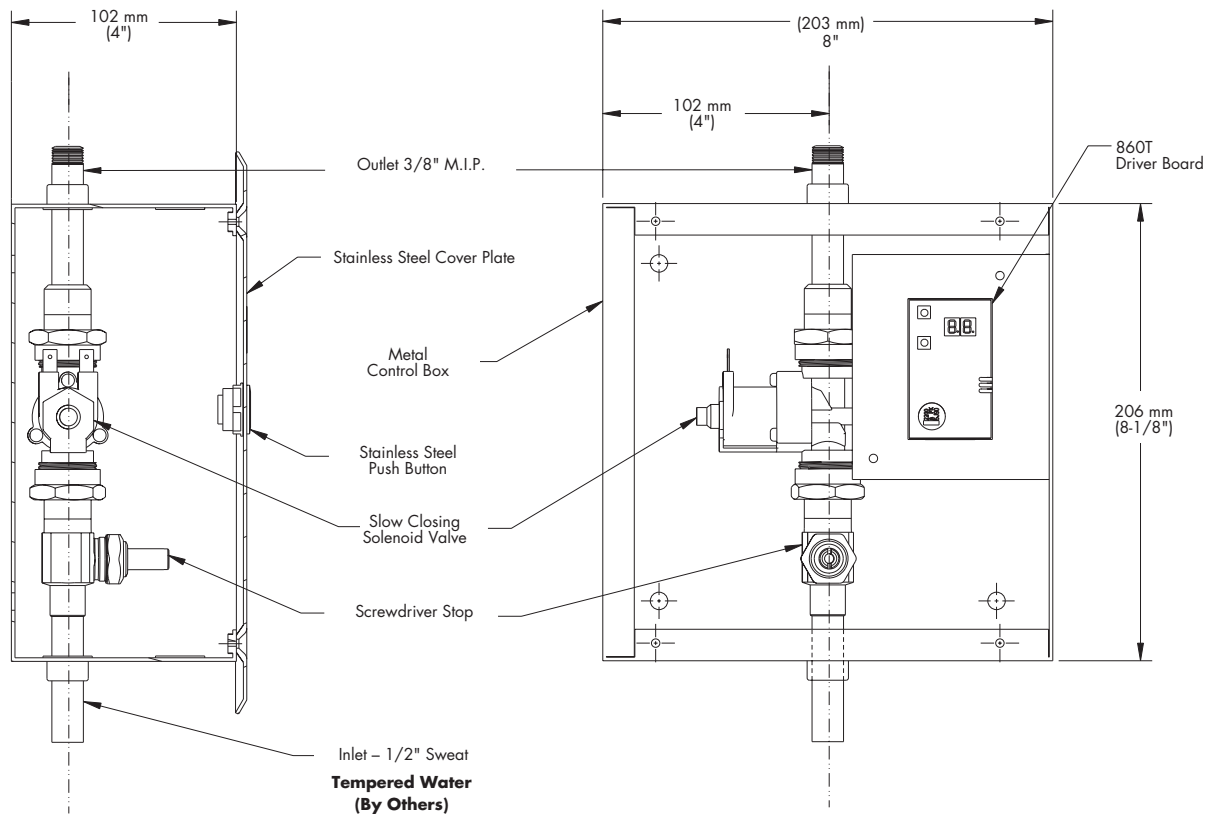
Hardwire Version comes complete with Watertight Connector and Hardwire Converter 24VAC to 6VDC.

Hardwire with Battery Backup comes complete with Watertight Connector, Hardwire Converter 24VAC to 6VDC and 9V battery. **See DSP-BB for detailed specification.**

COMPENSATING VALVE NOTE:

Models with Control Box #3 selected are for use with automatic compensating valves rated at or less than the CV value shown for the different showerhead selection below.

MODELS WITH CONTROL BOX #3	CV VALUE @ 45 PSI (310 kPa)
Plus Shower #3	1.34 gpm (5.07 L/min)
Plus Shower #5	1.28 gpm (4.8 L/min)
Plus Shower #6	1.38 gpm (5.22 L/min)
Plus Shower #7	1.36 gpm (5.15 L/min)



Battery Pack (not shown).
Required for battery models only.

Note: Measurements may vary ± 6mm (0.25")

COMPONENTS ONLY UNASSEMBLED
860T AND 861T SERIES

✓	PRODUCT NO.		VALVE TYPE	MOUNT TYPE	COVER
	860T1	6	Push Button Shower Valve – Hardwire	Recessed Mount	114mm (4-1/2") Stainless Steel
	861T1	6	Push Button Shower Valve – Battery	Recessed Mount	114mm (4-1/2") Stainless Steel

860T AND 861T SERIES

Battery Operated – Batteries and battery pack supplied.

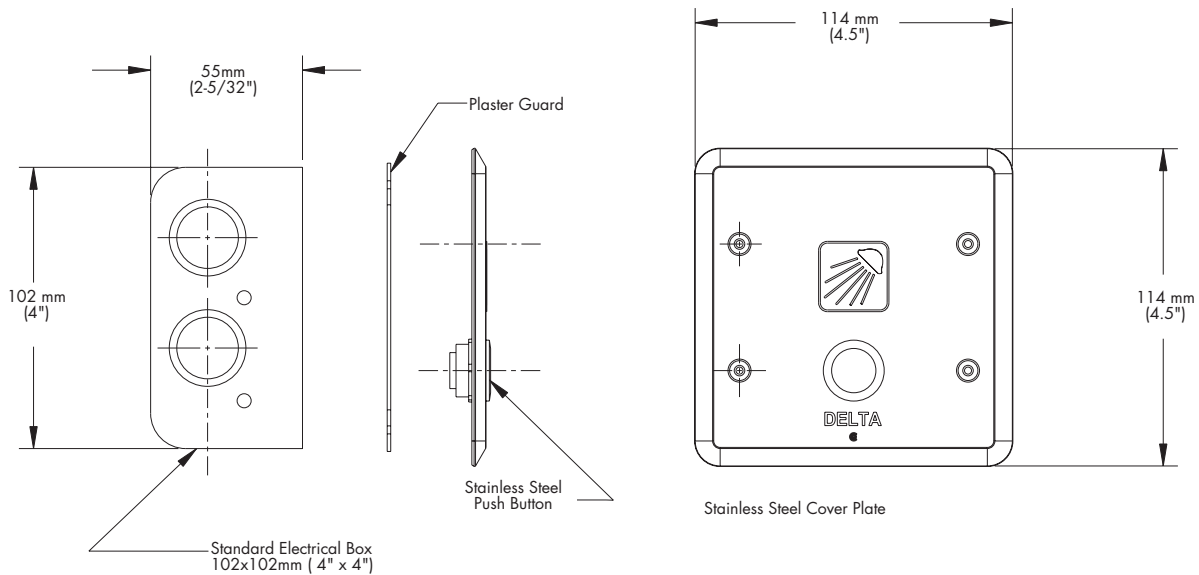
Hardwire Version comes complete with Watertight Connector and Hardwire Converter 24VAC to 6VDC.

Hardwire with Battery Backup comes complete with Watertight Connector, Hardwire Converter 24VAC to 6VDC and 9V battery. **See DSP-BB for detailed specification.**

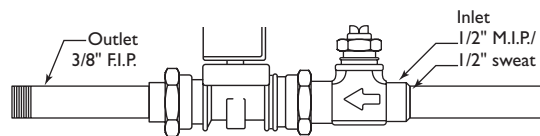
COMPENSATING VALVE NOTE:

Models with Control Box #6 selected are for use with automatic compensating valves rated at or less than the CV value shown for the different showerhead selection below.

MODELS WITH CONTROL BOX #6	CV VALUE @ 45 PSI (310 kPa)
Plus Shower #3	1.34 gpm (5.07 L/min)
Plus Shower #5	1.28 gpm (4.8 L/min)
Plus Shower #6	1.38 gpm (5.22 L/min)
Plus Shower #7	1.36 gpm (5.15 L/min)



Battery Pack (not shown).
Required for battery models only.



Slow closing solenoid valve AND Screwdriver stop

Tempered Water (By Others)

Note: Measurements may vary ± 6mm (0.25")

PRESSURE BALANCING MIXING VALVE ASSEMBLED CONTROL BOX

860T AND 861T SERIES

✓	PRODUCT NO.	VALVE TYPE	MOUNT TYPE	COVER	
	860T1	7	Push Button Shower Valve – Hardwire	Recessed Mount	305mm (12") Stainless Steel
	861T1	7	Push Button Shower Valve – Battery	Recessed Mount	305mm (12") Stainless Steel

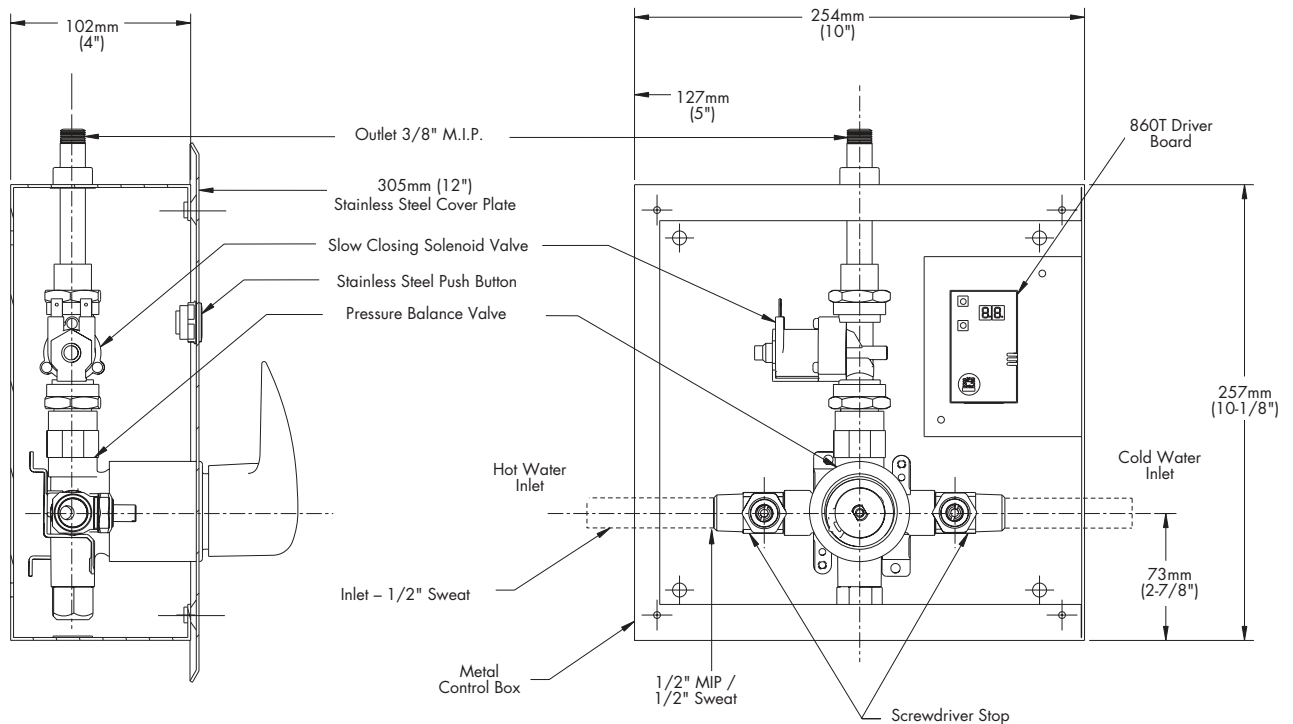
860T AND 861T SERIES

Battery Operated – Batteries and battery pack supplied.

Hardwire Version comes complete with Watertight Connector and Hardwire Converter 24VAC to 6VDC.

Hardwire with Battery Backup comes complete with Watertight Connector, Hardwire Converter 24VAC to 6VDC and 9V battery. **See DSP-BB for detailed specification.**

Models supplied without a showerhead must be used with showerheads rated at 4.5 L/min @ 310 kPa (1.2 gpm @ 45 psi) or higher.



PIPING SHOWN WITH DOTTED LINES SUPPLIED BY OTHERS.

Battery Pack (not shown).
Required for battery models only.

Note: Measurements may vary ± 6mm (0.25")

THERMOSTATIC BALANCING MIXING VALVE ASSEMBLED CONTROL BOX

860T AND 861T SERIES

✓	PRODUCT NO.		VALVE TYPE	MOUNT TYPE	COVER
	860T1	8	Push Button Shower Valve – Hardwire	Recessed Mount	305mm (12") Stainless Steel
	861T1	8	Push Button Shower Valve – Battery	Recessed Mount	305mm (12") Stainless Steel

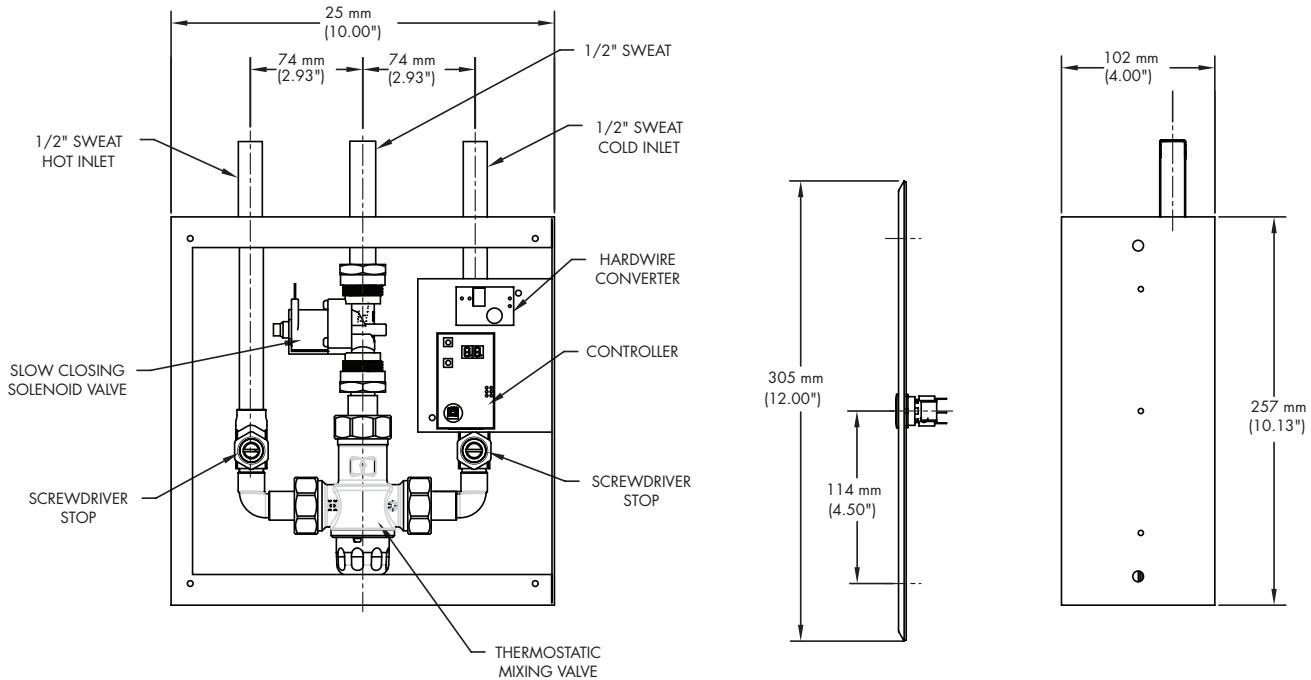
860T AND 861T SERIES

Battery Operated – Batteries and battery pack supplied.

Hardwire Version comes complete with Watertight Connector and Hardwire Converter 24VAC to 6VDC.

Hardwire with Battery Backup comes complete with Watertight Connector, Hardwire Converter 24VAC to 6VDC and 9V battery. **See DSP-BB for detailed specification.**

Models supplied without a showerhead must be used with showerheads rated at 1.3 L/min @ 310 kPa (0.35 gpm @ 45 psi) or higher.



Note: Measurements may vary ± 6mm (0.25")

860T Series Shower Add-On Options


TECK[®]
COMMERCIAL





DESCRIPTION	ADD-ON NUMBER		
860T Shower Add-On Options	-		

(A number from each option column must be used for a **complete Product Add-On**)

HOSE, ETC. ✓

0 Always use "0" if NO selection is required from this column	<input type="checkbox"/>
1	<input type="checkbox"/>
2 1753 mm (69") Long CP Stainless Steel Hose – Stretches to 92" (2337 mm) (1) 	<input type="checkbox"/>
3	<input type="checkbox"/>
4	<input type="checkbox"/>

MISCELLANEOUS ✓

0 Always use "0" if NO selection is required from this column	<input type="checkbox"/>
1	<input type="checkbox"/>
2	<input type="checkbox"/>
3	<input type="checkbox"/>
4	<input type="checkbox"/>
5 914 mm (36") S/S Slide Bar (2) 	<input type="checkbox"/> 

Note:

- (1) **Base Product** for the **HOSE** must include **SHOWER** option **No. 5**
- (2) **Base Product** for S/S Slide Bar must include **SHOWER** option **No. 5**

HOW TO SELECT AND SPECIFY ADD-ON OPTIONS:

Example No. 1: Base Product selected is 860T153.
36" S/S Slide Bar Add-On Suffix Number is -05
Product Number to Specify: 860T153-05