



## Metering Faucets

Cast brass coverplate with center faucet hole  
two hold down shanks (For 86T1104 or old style 86T  
series only)

### Model No: 86T151

#### COMPLIES WITH:

- (Contact Delta Representative for State and/or Local Approvals)

#### SPECIFICATION:

- Cast brass coverplate
- 3 hole 4" installation
- 1" Dia. Center faucet hole
- Two hold down shanks
- 2 holes for locking pins on base of old style 86T series faucet bodies

#### OPERATION:

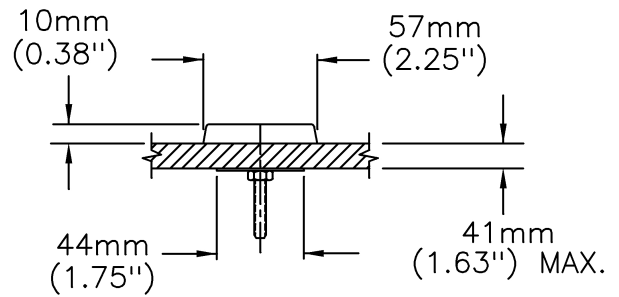
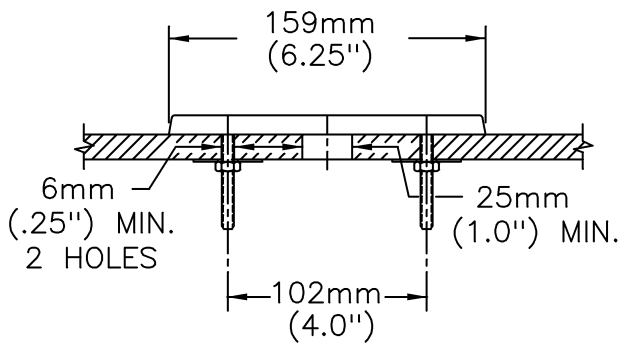
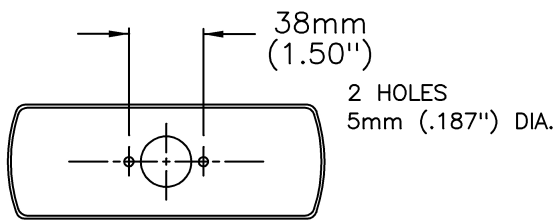
- Not Available

*(Dimensional drawing on following page)*

Delta reserves the right (1) to make changes to specifications and materials, and (2) to change or discontinue models, both without notice or obligation. Dimensions are for reference. Measurement may vary plus or minus 6mm(0.25"). Mounting locations are suggested only. Check with local codes for requirements in your area. This spec was produced September 17, 2017.

Delta Faucet Company - 55 East 111th St. - Indianapolis, Indiana, USA 46280 - (317) 848-1812  
Delta Faucet Canada - 395 Matheson Blvd E - Mississauga, Ontario, Canada L4Z 2H2 - (905) 712-3030

Model No: 86T151



Delta reserves the right (1) to make changes to specifications and materials, and (2) to change or discontinue models, both without notice or obligation. Dimensions are for reference. Measurement may vary plus or minus 6mm(0.25"). Mounting locations are suggested only. Check with local codes for requirements in your area. This spec was produced September 17, 2017.