

ITD35 / ITD5135

ISLAND TUB DRAIN (ROUGH-IN) - TESTABLE

Description:

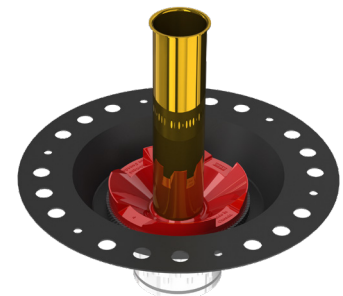
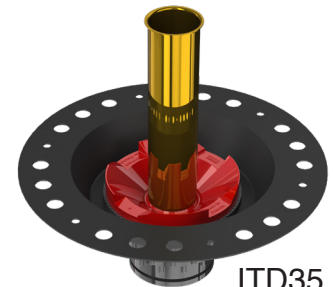
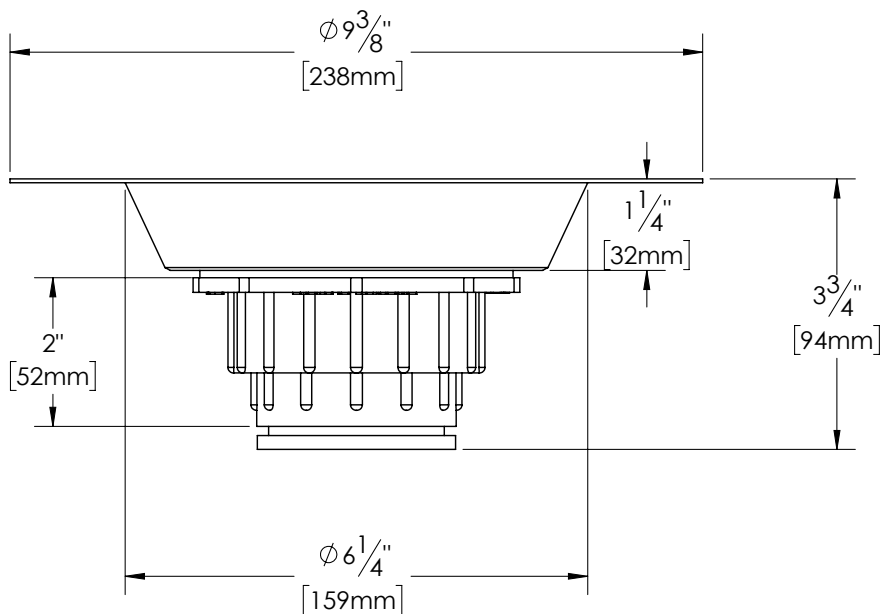
Island Tub Drain (Testable Rough-in) for Freestanding Tubs

Certification



Features:

- 18 Gauge Epoxy coated Metal Deck Plate with holes to lock to Thinset
- Snap off Test Cap
- ITD35 features an ABS Body/Tailpiece.
- ITD5135 features a White PVC Body
- ITD() is a Freestanding Tub rough-in (install before tile installation)
- Designed to be installed in an 8"/10" joist space with 1-1/2" / 2" P-Trap respectively
- Supplied with Brass Tailpieces (Threaded and Flanged) and ABS/PVC Waste/Overflow Adaptor Kit
- Can be installed with Waterproofing Membrane (bronte™ NobleSeal TS Recommended)



Oakville Stamping and Bending Ltd.

2200 Speers Road, Unit C. Oakville, ON. Canada. L6L 2X8.

T. 905.827.0320 or toll free 1.877.314.6040 F. 905.827.6375 or toll free 1.877.827.6040.

All rights reserved. OS&B™ reserves the right to change product specifications and material or discontinue models without notice.

www.osb.ca (Canada) www.osbplumbing.com (USA)