

**COLONY COUNTERTOP SINK**

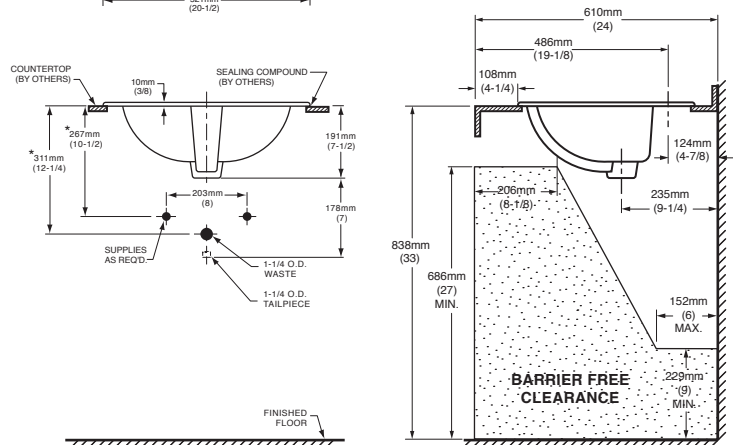
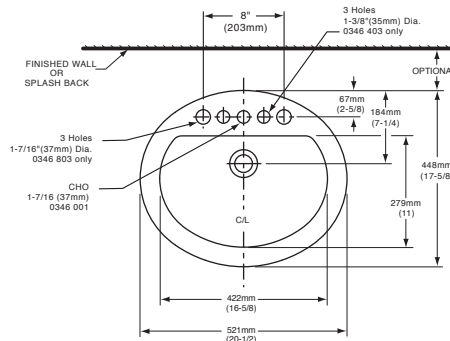
- Vitreous china
- Self-rimming
- Front overflow
- Supplied with template
- Faucet deck  
(Faucet shown not included)



- 0346 803**  
Faucet holes on 203mm (8") centres
- 0346 403** (Illustrated)  
Faucet holes on 102mm (4") centres
- 0346 001**  
Centre hole only

Nominal Dimensions:  
521 x 448mm (20-1/2" x 17-5/8")

Bowl sizes:  
422mm (16-5/8") wide, 279mm (11") front to back, 143mm (5-5/8") deep



**COMPLIANCE CERTIFICATIONS –**  
Meets or exceeds the following Specifications:  
• ASME A112.19.2M for Vitreous China Fixtures.  
• CAN/CSA B45 Series.

To Be Specified

- Colour:  White  Bone  Silver Gray  
 Linen
- Faucet\*:
- Faucet Finish:
- Supplies & Stops:
- Trap 1-1/4" (32 mm):

**NOTES:**  
\* DIMENSIONS SHOWN FOR LOCATION OF SUPPLIES AND "P" TRAP ARE SUGGESTED. FOR COUNTERTOP CUTOUT AND INSTALLATION INSTRUCTIONS USE TEMPLATE SUPPLIED WITH SINK.  
FAUCETS NOT INCLUDED AND MUST BE ORDERED SEPARATELY.  
IMPORTANT: Dimensions of fixtures are nominal and may vary within the range of tolerances established by ANSI Standard A112.19.2.  
These measurements are subject to change or cancellation. No responsibility is assumed for use of superseded or voided pages.

\* See faucet section for additional models available