



# 5G & 7G

60 HZ STANDARD CAPACITY 4" SUBMERSIBLE PUMPS  
FOR 4" AND LARGER WELLS



### FEATURES

**Powered for Continuous Operation:** All ratings are within the working limits of the motor as recommended by the motor manufacturer. Pump can be operated continuously without damage to the motor.

**Field Serviceable:** Units are field serviceable with common tools and readily available repair parts.

**Sand Handling Design:** Our face clearance, floating impeller stack has proven itself for over 40 years as a superior sand handling, durable pump design.

**FDA Compliant Non-Metallic Parts:** Impellers, diffusers and bearing spiders are constructed of glass filled engineered composites. They are corrosion resistant and non-toxic.

**NEW Discharge Head:** Stainless steel, corrosion resistant is strong and durable. Safety loop provided for installer convenience.

**NEW Check Valve:** Integral poppet style check valve

**NEW Motor Adapter:** Stainless steel, corrosion resistant provides a strong, accurate alignment of liquid end to motor. The plastic wrap around strainer keeps debris out of pump.

**Stainless Steel Casing:** Polished stainless steel is strong and corrosion resistant.

**Hex Shaft Design:** Six sided shafts for positive impeller drive.

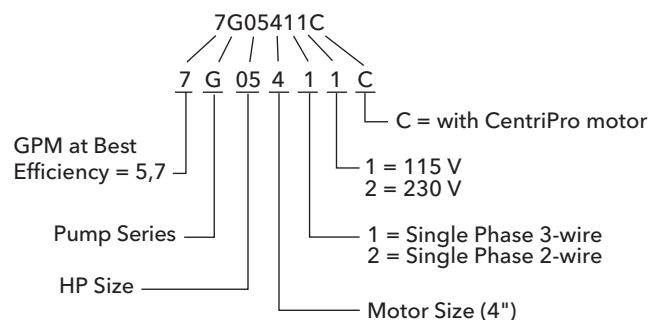
### 5G & 7G PUMPS

Series	Model	Required H.P.	Stages	Water End	
				Length (in)	Wt. (lbs)
5G	5G05	.5	15	15.1	9
	5G07	.75	20	18.2	11
	5G10	1	25	22.5	14
	5G15	1.5	34	28.2	17
	7G05	.5	11	12.5	7
7G	7G07	.75	15	15.1	9
	7G10	1	20	18.2	11
	7G15	1.5	25	22.5	14

### CENTRIPRO 4" SINGLE-PHASE MOTORS

Order No.	Type	HP	Volts	Length (in)	Weight (lb)
M05421	2-wire PSC	.5	115	11.0	19.2
M05422		.5	230	11.0	19.2
M07422		.75	230	12.4	22.7
M10422		1	230	13.3	24.5
M15422		1.5	230	14.9	28.9
M05411	3-wire	.5	115	10.0	18.9
M05412		.5	230	9.7	18.1
M07412		.75	230	10.8	21.4
M10412		1	230	11.7	23.1
M15412		1.5	230	13.6	27.4

### NUMBER CODE



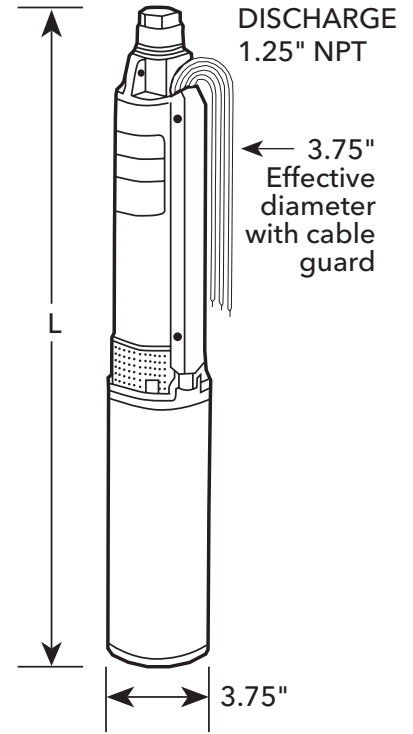
### CENTRIPRO 4" THREE-PHASE MOTORS

Order No.	HP	Volts	Length (in)	Weight (lb)
M10432	1	230	11.7	23.1
M15432	1.5			

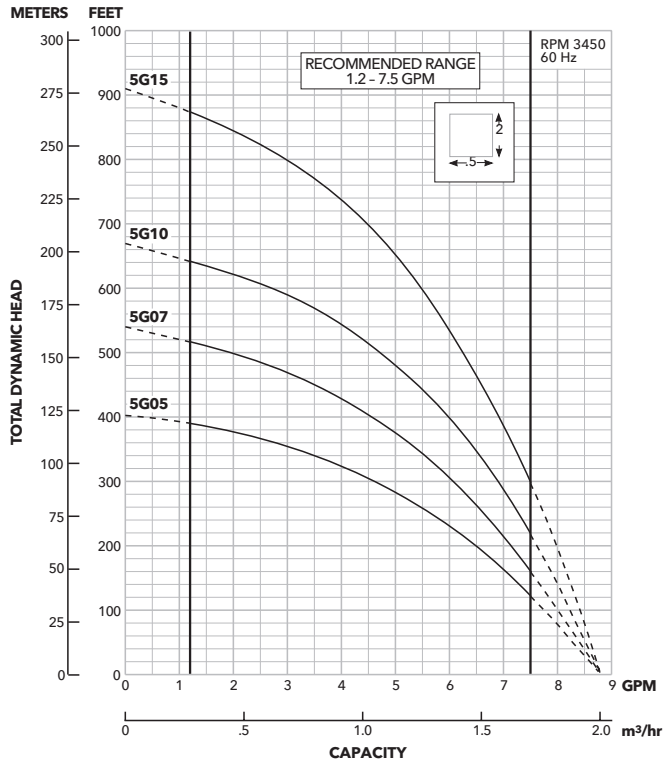
### SPECIFICATIONS

Model	Flow Range GPM	Horse-power Range	Best Efficiency GPM	Discharge Connection	Minimum Well Size	Rotation <sup>①</sup>
5G	1.2 - 7.5	½-1½	5	1.25"	4"	CCW
7G	1.5 - 10	½-1½	7	1.25"	4"	CCW

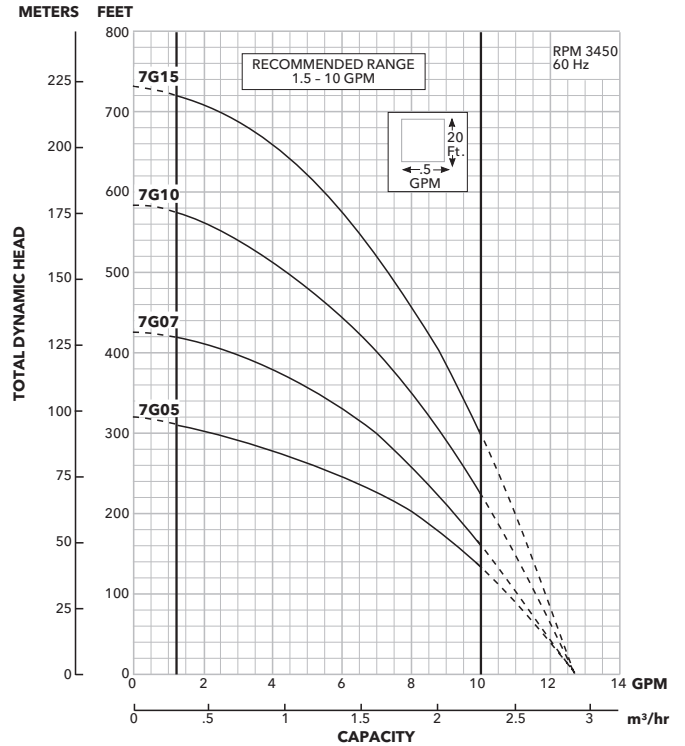
① Rotation is counterclockwise when observed from pump discharge end.



### MODEL 5G

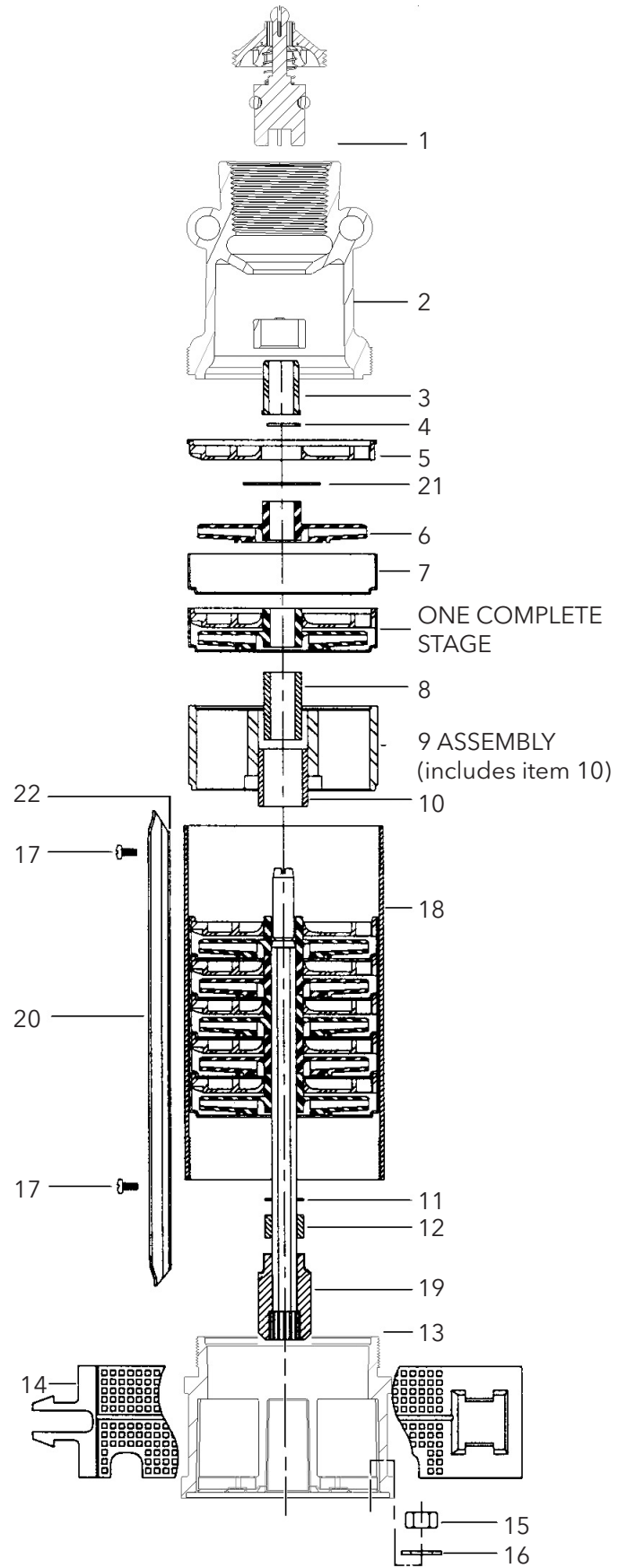


### MODEL 7G



Item No.	Part Description	Current Model		
		HP	5G	7G
	Number of Stages	1/2	15	11
		3/4	20	15
		1	25▲	20
		1 1/2	34▲	25▲
1	1" Check valve	7K2227	7K2227	
2	Discharge head	7K60	7K60	
3	Bearing	7K2739	7K2739	
4	Retaining ring	7K817	7K817	
5	Diffuser	7K9	7K12	
6	Impeller	7K8	7K11	
7	Bowl	7K7	7K7	
8	Center sleeve▲	7K209	7K209	
9	Intermediate bearing spider assembly▲	7K13	7K13	
10	Intermediate bearing▲	7K156	7K156	
11	Shim	7K155	7K155	
13	Motor adapter	7K3450	7K3450	
14	Inlet strainer	7K3356	7K3356	
15	Motor nut	13K114	13K114	
17	Cable guard screw	13K91	13K91	
18	Casing	1/2	7K484	7K483
		3/4	7K485	7K484
		1	7K861	7K485
		1 1/2	7K1178	7K861
19	Shaft and coupling	1/2	7K1380	7K1375
		3/4	7K3466	7K1524
		1	7K1388	7K3466
		1 1/2	7K3467	7K1388
20	Cable guard	1/2	7K1092	7K1091
		3/4	7K1093	7K1092
		1	7K1094	7K1093
		1 1/2	7K2147	7K1094
21	Uphrust washer	7K15	-	
22	Insulator	7K1023	7K1023	

**Note:** ▲ Indicates models with intermediate bearing spider.



**xylem**  
Let's Solve Water

Xylem Inc.  
2881 East Bayard Street Ext., Suite A  
Seneca Falls, NY 13148  
Phone: (866) 325-4210  
Fax: (888) 322-5877  
www.gouldswatertechnology.com

Goulds is a registered trademark of Goulds Pumps, Inc. and is used under license.  
CentriPro is a trademark of Xylem Inc. or one of its subsidiaries.  
© 2018 Xylem Inc. B5&7G R2 January 2018