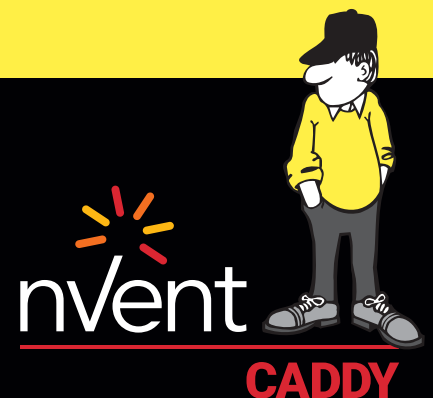




CONNECT AND PROTECT

nVent CADDY Riser Clamps



Introduction



Riser clamps have often been difficult to differentiate between brands, historically. Products on the market adequately hold pipe, but have not undergone any innovation in decades.

However, the nVent CADDY product development team is always working to make products faster, safer and easier to install. The nVent CADDY riser offering is primarily composed of three main products: 510 nVent CADDY EZ Riser, 512 nVent CADDY EZ Riser for Close Quarters and the nVent CADDY EZ Riser. Each of these products offers unique benefits to the installer and together they are designed to be the most comprehensively innovative offering on the market.

510 NVENT CADDY EZ RISER

The 510 riser is ideal for standard riser installations, suspending vertical steel pipe where space is available. The slotted holes make assembly easy by eliminating loose hardware and the serrated flange-head bolts eliminate the need for wrenches on both the bolt and nut.



512 NVENT CADDY EZ RISER FOR CLOSE QUARTERS

The 512 riser is built for situations when a riser is needed in a space where a full-sized clamp would not fit, typically when a pipe is close to the corner of a room. The 512 is cULus listed and eliminates the potentially dangerous practice of cutting down a standard riser clamp. In addition to the smaller size, it also eliminates loose hardware and has serrated flange-head bolts to eliminate the need for wrenches on both the bolt and nut.



NVENT CADDY EZ RISER

The new, innovative EZR is the most adaptable clamp in the offering. It can be used as a standard riser, standoff or riser for close quarters, essentially making it three clamps in one. Pre-drilled holes can easily be attached to threaded rod for a standoff installation and integrated score marks allow for easy removal of ears. Even with the ears removed, the product retains its listing, uniquely making it capable of a listing in both installations.



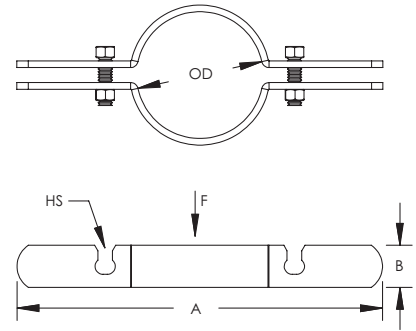
Additionally, several other features have been incorporated to make the product easier to install. Internal time studies indicate a 60% reduction in installation time when compared to standard riser clamps, and a 45% reduction in installation when compared to the industry-leading first generation EZ Riser.

510 nVent CADDY EZ Riser



FEATURES

- Recommended for suspending vertical steel pipe risers
- Slotted holes make assembly easy, eliminating loose hardware
- Serrated flange-head bolts eliminate need for wrenches on both bolt and nut
- Conforms with Federal Specification WW-H-171 (Type 8), Manufacturers Standardization Society (MSS) SP-58 (Type 8)

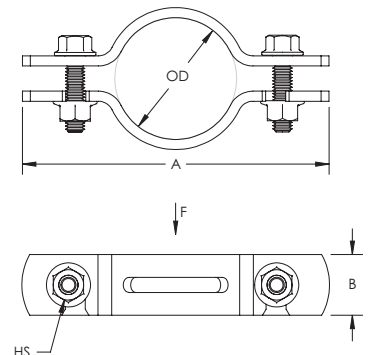


512 nVent CADDY EZ Riser for Close Quarters



FEATURES

- Innovative design eliminates loose hardware, simplifying installation
- Serrated flange-head bolts eliminate need for wrenches on both bolt and nut
- Short ears allow for use in spaces where full-sized risers do not fit
- Conforms with Federal Specification WW-H-171 (Type 8), Manufacturers Standardization Society (MSS) SP-58 (Type 8)



nVent CADDY EZ Riser: Three Clamps in One



The EZR is the most adaptable riser clamp nVent CADDY offers and solves many problems for contractors in one product. This single product can be used as a standard riser, a standoff, or riser for close quarters, essentially making it three clamps in one.

Additionally, several features make the product easier to install that cannot be replicated by others. The EZR yields a 60% reduction in installation time when compared to standard riser clamps, and a 45% reduction in installation when compared to the industry-leading first generation nVent CADDY EZ Riser.

Pre-drilled holes can easily be attached to threaded rod for a standoff installation. Integrated score marks allow for easy removal of ears. Even with the ears removed, the product retains its listing, uniquely making it capable of a listing in both installations.

The nVent CADDY EZR can solve problems for contractors where others cannot.

Hinged Design

The hinged design of the EZR only requires one bolt to be removed for installation, allowing the clamp to wrap around a pipe without fully being disassembled.

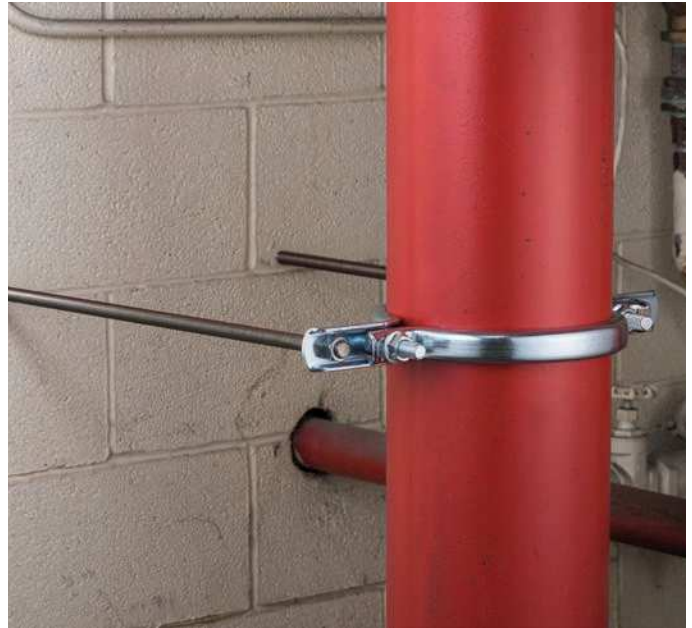


nVent CADDY EZ Riser: Three Clamps in One



1. Standard

Designed to be the easiest installed riser on the market



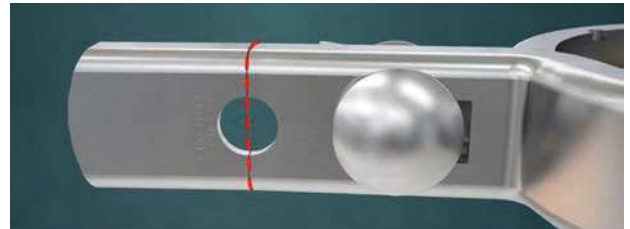
2. Offset

Pre-drilled holes allow clamp to easily install in a stand-off configuration



3. Close Quarters

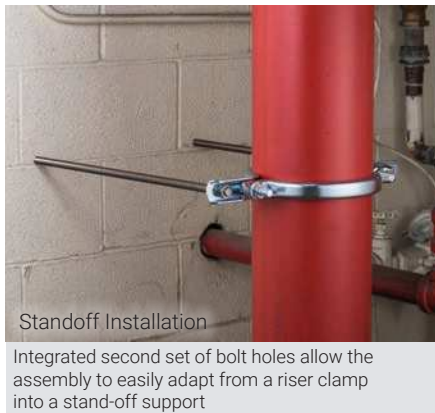
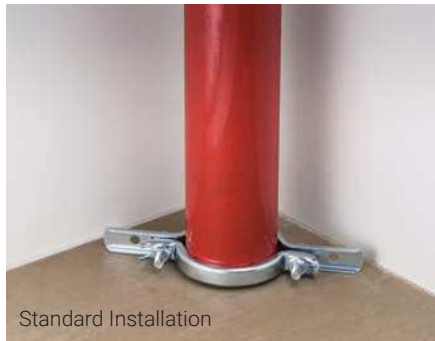
When installing in close quarters, the ends of the ears can be removed to accommodate tight corners



Score marks indicate where the clamp can be cut down and still maintain its UL Listing

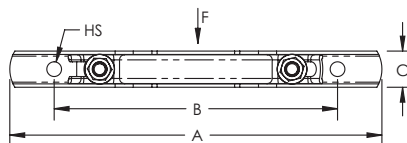
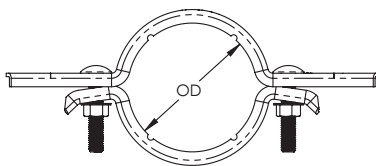
nVent CADDY EZ Riser

3-in-1 Riser Clamp



FEATURES

- Installs up to 60% faster than standard riser clamps and 45% faster than the industry-leading first generation EZ Riser
- One-piece hinge design comes out of the box ready to install
- Lack of loose hardware eliminates dropped or lost components, eliminating potential rework and unusable parts, while speeding installation
- Carriage bolts seat into clamp, eliminating the need for multiples tools when tightening
- Integrated second set of bolt holes allow the assembly to easily adapt from a riser clamp into a stand-off support
- In spaces where full-sized riser clamps do not fit, integrated score marks allow for easy removal of ears
- Retains listing when the ears are removed for close quarters, uniquely making the nVent CADDY EZ Riser capable of a listing in both installations
- No need to stock and use separate part families for standard and close quarter clamps to offer a full range of listed parts, reducing inventory by 38%
- Conforms with Federal Specification WW-H-171 (Type 8), Manufacturers Standardization Society (MSS) SP-58 (Type 8)
- UL listed in all configurations
- Multi-functional clamp can be installed in several approved orientations, simplifying material handling



nVent CADDY EZ Riser

Features Guide

EASE OF INSTALL FEATURES

One-piece hinge design comes out of the box ready to install

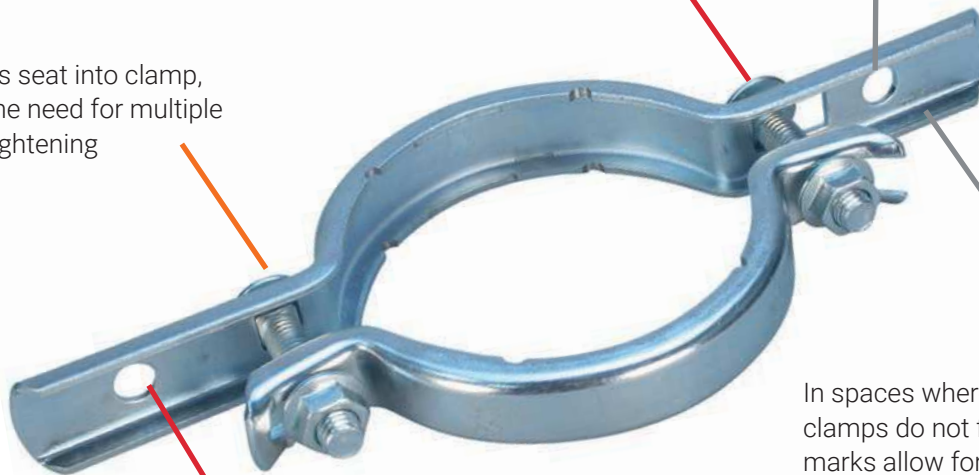
SAFETY FEATURES

Lack of loose hardware eliminates dropped or lost components, eliminating potential rework and speeding up installation

ADAPTABILITY FEATURES

Integrated second set of bolt holes allow the assembly to easily adapt from a riser clamp into a stand-off support

Carriage bolts seat into clamp, eliminating the need for multiple tools when tightening



In spaces where full-sized riser clamps do not fit, integrated score marks allow for easy removal of ears

Product retains listing when the ears are removed for close quarters, uniquely making the nVent CADDY EZ Riser capable of a listing in both installations

No need to stock and use separate part families for standard and close quarter clamps to offer a full range of listed parts, reducing inventory by 38%

Conforms with Federal Specification WW-H-171 (Type 8), Manufacturers Standardization Society (MSS) SP-58 (Type 8)

Our powerful portfolio of brands:

CADDY ERICO HOFFMAN RAYCHEM SCHROFF TRACER



[nVent.com/CADDY](https://www.nVent.com/CADDY)