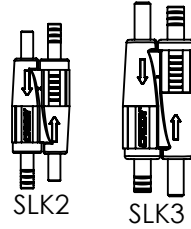

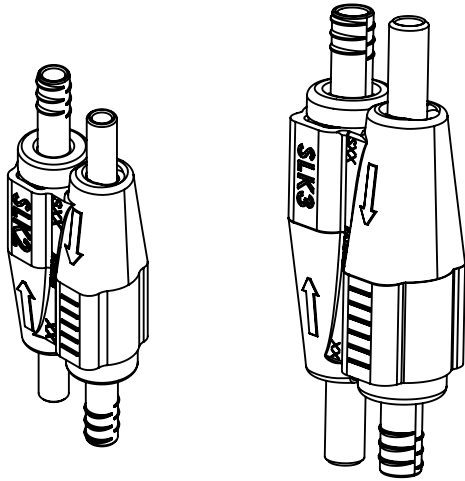


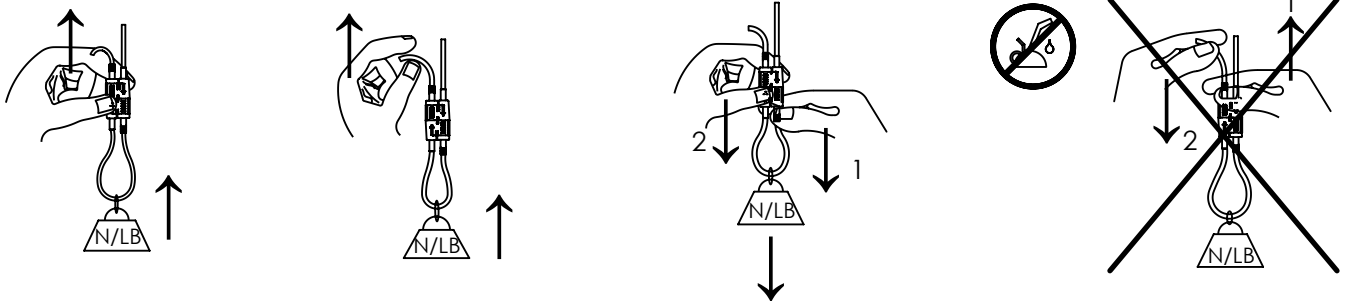
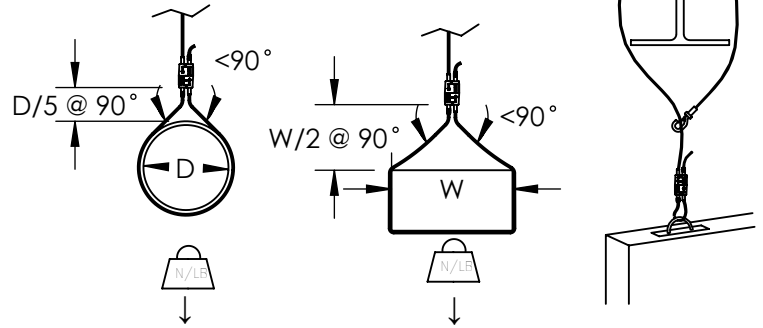
# nVent CADDY Speed Link SLK Keyless Locking Device



Wire Rope	Device	Working Load 	
		N	LB
Ø 1.5mm	SLK2	195	44
Ø 2.0mm	SLK2	440	100
Ø 3.0mm	SLK3	890	200



Locking devices are only to be used with nVent CADDY Speed Link wire spools and accessories with the same specified Wire Rope Diameter as the locking device. Do not use with any other wires.



**WARNING:**

1. nVent products shall be installed and used only as indicated in nVent product instruction sheets and training materials. Instruction sheets are available at [www.nVent.com](http://www.nVent.com) and from your nVent customer service representative.
2. nVent products must never be used for a purpose other than the purpose for which they were designed or in a manner that exceeds specified load ratings.
3. All instructions must be completely followed to ensure proper and safe installation and performance.
4. Improper installation, misuse, misapplication or other failure to completely follow nVent's instructions and warnings may cause product malfunction, property damage, serious bodily injury and/or death, and void your warranty.
5. Products that are manufactured using spring steel components shall be used only in a non-corrosive indoor environment.
6. All pipe supports, hangers, intermediate components and structural attachments must **ONLY** be used as described herein and are **NEVER** to be used for any other purpose.

NOTE: All load ratings are for static conditions and do not account for dynamic loading such as wind, water or seismic loads, unless otherwise noted.

The customer is responsible for:

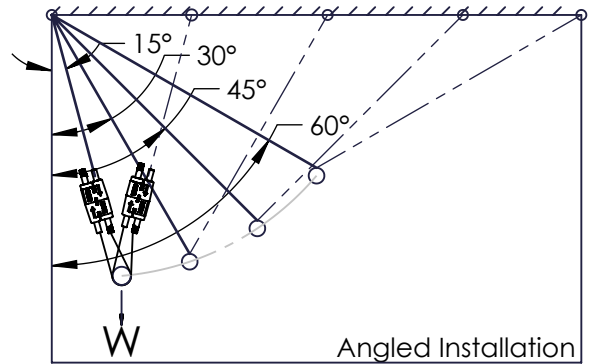
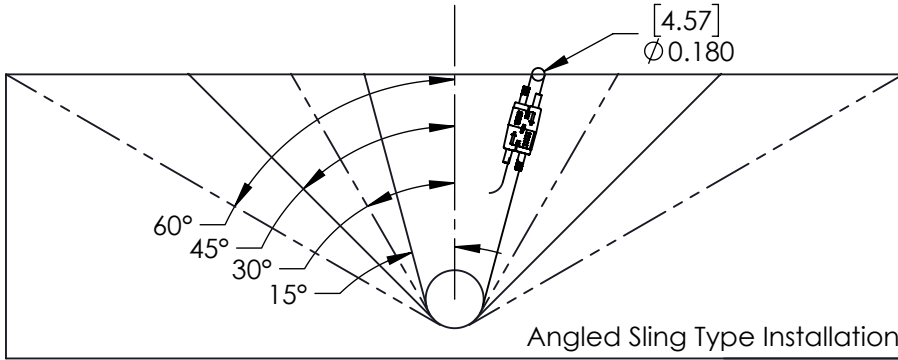
- a. Conformance to all governing codes.
- b. The integrity of structures to which the products are attached, including their capability of safely accepting the loads imposed, as evaluated by a qualified engineer.
- c. Using appropriate industry standard hardware as noted above.

**SAFETY INSTRUCTIONS:**

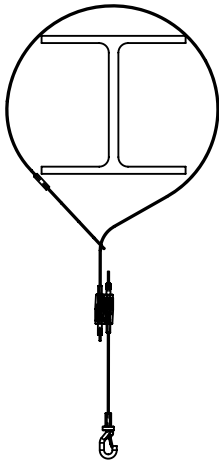
All governing codes and regulations and those required by the job site must be observed. Always use appropriate safety equipment such as eye protection, hard hat, and gloves as appropriate to the application.

nVent, nVent CADDY, nVent ERICO Cadweld, nVent ERICO Critec, nVent ERICO, nVent ERIFLEX, and nVent LENTON are owned by nVent or its global affiliates. All other trademarks are the property of their respective owners. nVent reserves the right to change specifications without prior notice.

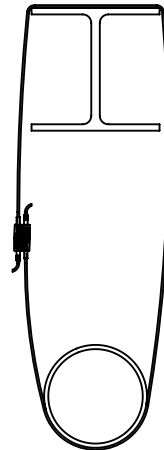
# nVent CADDY Speed Link SLK Keyless Locking Device



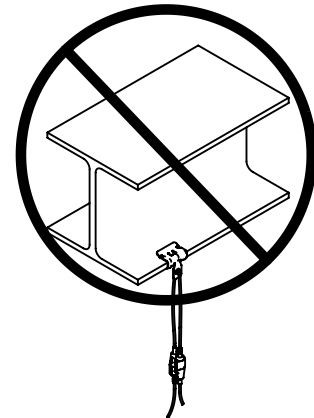
Angle	Angled Sling-Type Installation lbs [N]					Angled Installation lbs [N]				
	0	15	30	45	60	0	15	30	45	60
Reduced By	None	3%	13%	29%	50%	None	3%	13%	29%	50%
1.5 mm	87 [390]	84 [377]	76 [338]	62 [276]	44 [195]	44 [195]	42 [188]	38 [169]	31 [138]	22 [98]
2.0 mm	197 [880]	191 [850]	171 [762]	139 [622]	100 [440]	100 [440]	96 [425]	85 [381]	70 [311]	50 [220]
3.0 mm	400 [1780]	386 [1719]	346 [1542]	283 [1259]	200 [890]	200 [890]	193 [860]	173 [771]	629 [141]	100 [445]



Splice Installation



Infinite Loop Installation



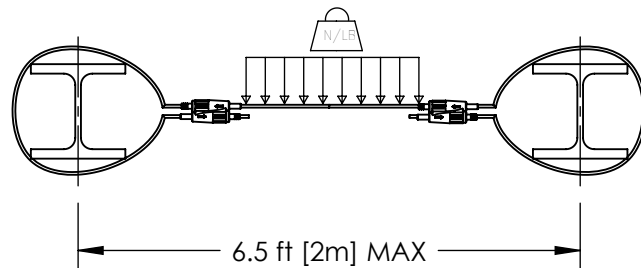
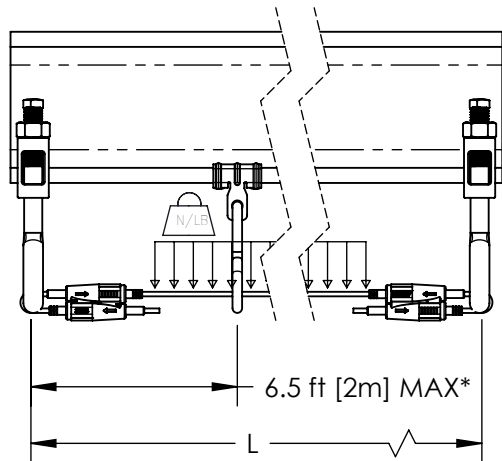
Improper Installation

Device	Wire Dia. [mm]	Splice Installation		Infinite Loop Installation	
		Load [lbs]	Load [N]	Load [lbs]	Load [N]
SLK2	1.5	34	155	89	400
SLK2	2	65	290	157	700
SLK3	3	150	670	348	1550

Refer to nVent CADDY Speed Link product manual at [erico.nVent.com](http://erico.nVent.com)

# nVent CADDY Speed Link SLK Keyless Locking Device

## SLK Horizontal Cable Application



\*A support is required every 6.5 ft (2m) along the whole length L

Device	Cable	Working Load	
		N/m	LB/ft
SLK2	2.0mm	44	3
SLK3	3.0mm	100	7

Examples of Typical Applications				
Cable	Nominal Diameter	Weight/Length	Max Qty	
			SLK2	SLK3
Cat 6A	.27-.35in	.029-.030 lb/ft	100	230
Cat 6	.23-.22in	.022-.024 lb/ft	125	290
Cat 5e	.19-.21in	.019-.020 lb/ft	150	350
12-3MC	.50in	.13 lb/ft	23	53
3x1.5mm <sup>2</sup>	11.5mm	1.9 N/m	23	52
1x50mm <sup>2</sup>	16mm	9.6 N/m	4	10

Cable MUST be tensioned by hand without using any other device.

Maximum pre-tension to apply : 50 lbs (227N)