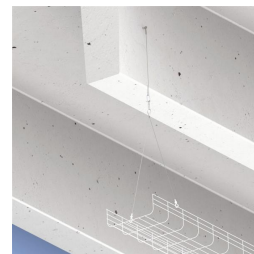
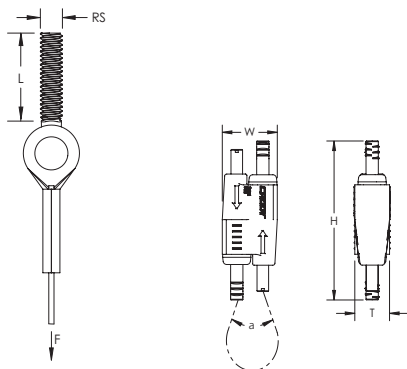


CADDY SPEED LINK SLK with Threaded Stud End – SLK2L2SE250



- Complete system includes wire, locking device and pre-assembled threaded stud end fitting
- Attaches to structures with threaded anchors or devices with threaded hole
- Connects directly to threaded devices in trapeze assemblies, light fixtures, HVAC assemblies or signage



Part Number	SLK2L2SE250
Material	Steel Polypropylene Zinc Alloy
Finish	Electrogalvanized
Static Load Safety Factor	5:1
Wire Rope Diameter	2 mm
Wire Rope Length	6.6'
Rod Size (RS)	1/4"
Screw Length (L)	1"
Height (H)	2.15"
Width (W)	3/4"
Thickness (T)	1/2"
Angle (a)	90° Max
Static Load (F)	100 lb
Certifications	cULus
Standard Packaging Quantity	10 pc
UPC	78285680035



UL, UR, cUL, cUR, cULus and cURus are registered certification marks of UL LLC.

WARNING

Pentair products shall be installed and used only as indicated in Pentair's product instruction sheets and training materials. Instruction sheets are available at erico.pentair.com and from your Pentair customer service representative. Improper installation, misuse, misapplication or other failure to completely follow Pentair's instructions and warnings may cause product malfunction, property damage, serious bodily injury and death and/or void your warranty.

© 2017 Pentair All rights reserved

Pentair, CADDY, CADWELD, CRITEC, ERICO, ERIFLEX, ERITECH and LENTON are owned by Pentair or its global affiliates.

All other trademarks are the property of their respective owners. Pentair reserves the right to change specifications without prior notice.

