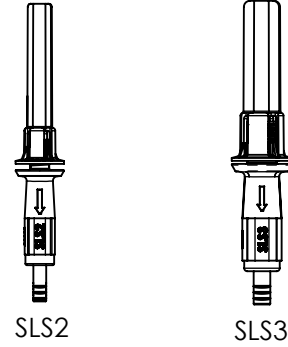
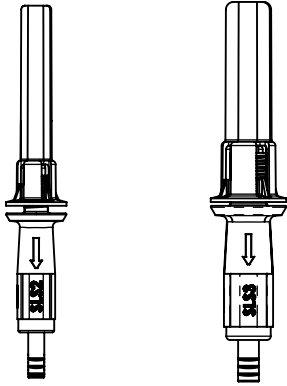



nVent CADDY Speed Link SLS Keyless Locking Devices

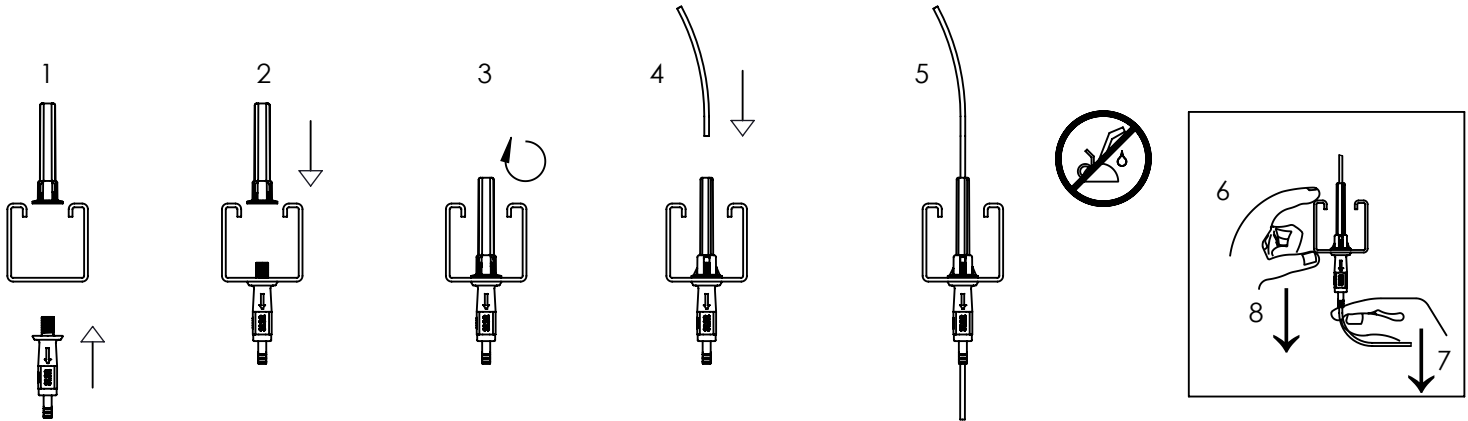


SLS2

SLS3

Device	Cable	Working Load 	
		N	LB
2.0mm ϕ wire rope	1.5mm	180	40
	2.0mm	265	60
3.0mm ϕ wire rope	2.0mm	265	60
	3.0mm	670	150

Locking devices are only to be used with nVent CADDY Speed Link wire spools and accessories with the same specified wire rope diameter as the locking device. Do not use with any other wires.



Refer to nVent CADDY Speed Link product manual at erico.nVent.com

WARNING:

- nVent products shall be installed and used only as indicated in nVent product instruction sheets and training materials. Instruction sheets are available at www.nVent.com and from your nVent customer service representative.
- nVent products must never be used for a purpose other than the purpose for which they were designed or in a manner that exceeds specified load ratings.
- All instructions must be completely followed to ensure proper and safe installation and performance.
- Improper installation, misuse, misapplication or other failure to completely follow nVent's instructions and warnings may cause product malfunction, property damage, serious bodily injury and/or death, and void your warranty.
- Products that are manufactured using spring steel components shall be used only in a non-corrosive indoor environment.
- All pipe supports, hangers, intermediate components and structural attachments must **ONLY** be used as described herein and are **NEVER** to be used for any other purpose.

NOTE: All load ratings are for static conditions and do not account for dynamic loading such as wind, water or seismic loads, unless otherwise noted.

The customer is responsible for:

- Conformance to all governing codes.
- The integrity of structures to which the products are attached, including their capability of safely accepting the loads imposed, as evaluated by a qualified engineer.
- Using appropriate industry standard hardware as noted above.

SAFETY INSTRUCTIONS:

All governing codes and regulations and those required by the job site must be observed. Always use appropriate safety equipment such as eye protection, hard hat, and gloves as appropriate to the application.

nVent, nVent CADDY, nVent ERICO Cadweld, nVent ERICO Critec, nVent ERICO, nVent ERIFLEX, and nVent LENTON are owned by nVent or its global affiliates. All other trademarks are the property of their respective owners. nVent reserves the right to change specifications without prior notice.

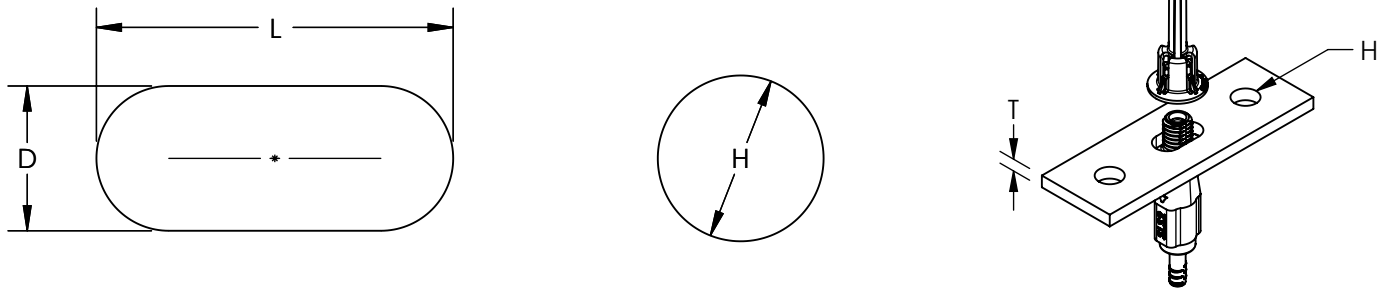
TECHNICAL SUPPORT:
www.nVent.com

CFS464_D

1 OF 2

© 2012-2018 nVent All Rights Reserved



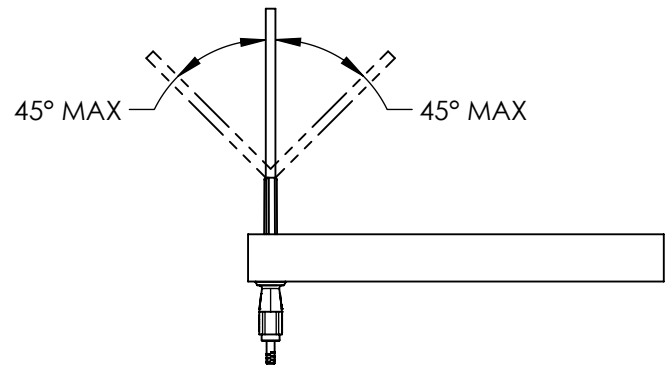
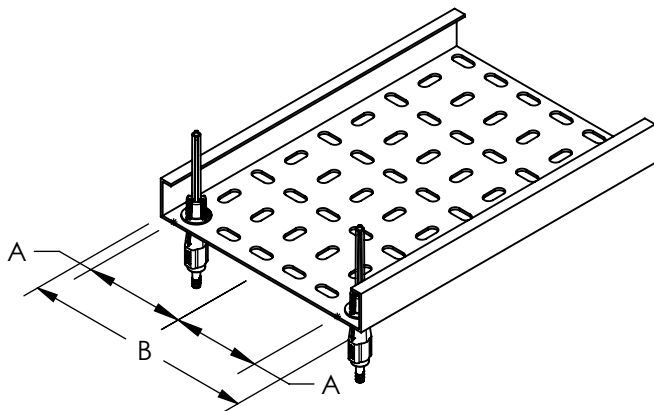


Locking Device		L	D	H	T
SLS2	Min	0.31" [8mm]	0.25" [6.5mm]	0.31" [8mm]	--
	Max	--	0.38" [10mm]	0.38" [10mm]	0.15" [4mm]
SLS3	Min	0.50" [12mm]	0.39" [10mm]	0.50" [12mm]	--
	Max	--	0.56" [14mm]	0.56" [14mm]	0.25" [6mm]

The 2 mm locking device is compatible with C-Channel types E0 and E0L.

The 3 mm locking device is compatible with C-channel types E1, E2, E2L, E3, E4, E5, slotted strut channel type C, slotted strut channel type A, perforated strut channel type AS, slotted strut channel type CC, slotted strut channel type AA.

Perforated Cable Tray Application



1. $2A \geq 2B/3$
2. The distance to the centerline of the tray must be equal for both SLS Locking Devices to ensure even load distribution.