

Air Gaps, Elbows and Test Cocks

Job Name _____
 Job Location _____
 Engineer _____
 Approval _____

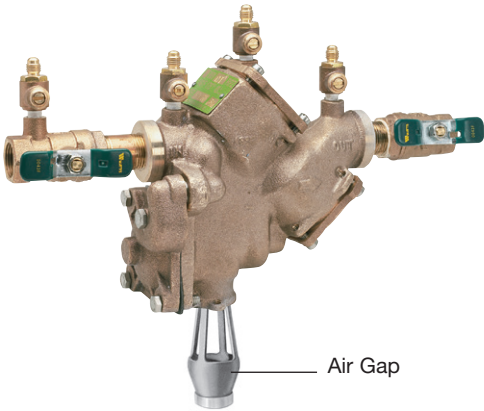
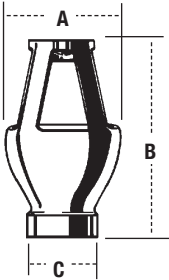
Contractor _____
 Approval _____
 Contractor's P.O. No. _____
 Representative _____

Air Gaps, Elbows and Test Cocks for Reduced Pressure Zone Assemblies

Air Gaps

An air gap provides the unobstructed, physical separation between the discharge end of a potable water supply line and an open receiving vessel.

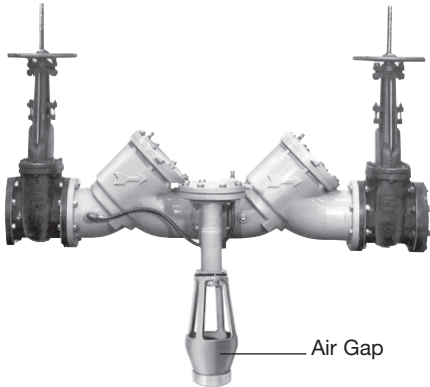
The installation of an air gap and drain line are recommended.



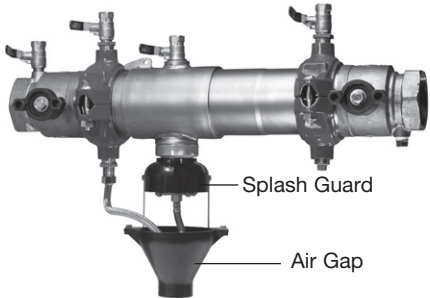
909 QT/LF909 QT

| MODEL | ORDER-ING CODE | SERIES/ SIZES | DIMENSIONS | | | WEIGHT | |
|---------|----------------|---|-------------|-------------|-------------------|--------|------|
| | | | A in. mm | B in. mm | C (NPT) in. mm | lbs | kg |
| 909AGA | 0881399 | 1/2" - 1/2" 009/LF009 3/4" 009/LF009M2/M3 1/2" - 1" 995 | 2 3/8 60 | 3 1/8 79 | 1/2 13 | .63 | .28 |
| 909AGC | 0881376 | 3/4" - 1" 009/LF009, 909/LF909 1" - 1 1/2" 009/LF009M2 1 1/4" - 2" 995 | 3 1/4 83 | 4 7/8 124 | 1 25 | 1.50 | .68 |
| 909AGF | 0881378 | 1 1/4" - 3" 009/LF009, 909/LF909 1 1/4" - 2" 009/LF009M1 2" 009/LF009M2 | 4 3/8 111 | 6 3/4 171 | 2 51 | 3.25 | 1.47 |
| 909AGK | 0881385 | 4" - 6" 909/LF909 4" - 10" 909RPDA 8" - 10" 909/LF909M1 | 6 3/8 162 | 9 5/8 244 | 3 76 | 6.25 | 2.83 |
| 909AGM | 0881387 | 8" - 10" 909/LF909 | 7 3/8 187 | 11 1/4 286 | 4 102 | 15.50 | 7.03 |
| 919 AGC | 0881576 | 3/4" - 1" 919/LF919 | 2 3/8 60 | 3 1/8 79 | 1/2 13 | 0.63 | 0.28 |
| 919 AGF | 0881577 | 1 1/4" - 2" 919/LF919 | 4 3/8 111 | 8 1/2 216 | 2 51 | 3.5 | 1.6 |
| 957AG | 0111764 | 2 1/2" - 10" 957 | 7 1/2 190 | 12 304 | 2 51 | 1.50 | .68 |

| Splash Guard | | | | | | | | | |
|--------------|---------|------------------|-------|-----|--------|-----|---|----|-----------|
| 994AGK-P | 0881397 | 2 1/2" - 10" 994 | 8 | 203 | 11 1/4 | 286 | 2 | 51 | 1.50 0.68 |
| 995-AG | 0439190 | 3" - 6" 995 | 5 | 127 | 8 | 203 | 2 | 51 | - - |
| 957AG | 0111815 | 2 1/2" - 10" 957 | 4 3/4 | 119 | 2 1/2 | 62 | - | - | .4 0.18 |



909 OSY/ LF909 OSY



957 QT

NOTICE

The information contained herein is not intended to replace the full product installation and safety information available or the experience of a trained product installer. You are required to thoroughly read all installation instructions and product safety information before beginning the installation of this product.

NOTICE

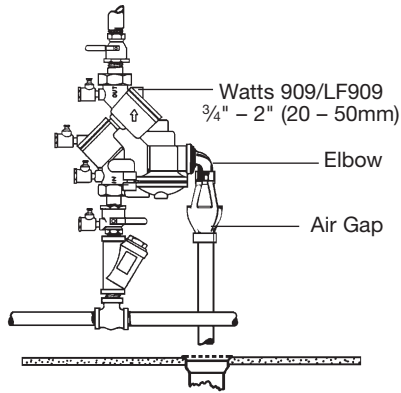
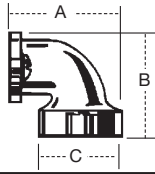
Inquire with governing authorities for local installation requirements

Watts product specifications in U.S. customary units and metric are approximate and are provided for reference only. For precise measurements, please contact Watts Technical Service. Watts reserves the right to change or modify product design, construction, specifications, or materials without prior notice and without incurring any obligation to make such changes and modifications on Watts products previously or subsequently sold.



Vent Elbows

Used with Watts air gaps for vertical installation of Reduced Pressure Zone Assemblies.



Vertical (Up) Installation of Backflow Preventer

NOTICE

Inquire with governing authorities for local installation requirements

| MODEL NO. | MATERIAL | ORDERING CODE | SERIES/ SIZES | DIMENSIONS | | | WEIGHT | |
|------------|---|---------------|---|------------|-----|-------|--------|------------|
| | | | | A | B | C | lbs | kgs |
| 909EL-A | Bronze | 0881370 | 1/4"-1/2" 009/LF009 3/4" 009/LF009M2/M3 1/2"-1" 995 3/4"-1" | — | — | — | — | — |
| 909EL-C | Iron | 0881380 | 009/LF009, 909/LF909 1"-1 1/2" 009/LF009M2 1 1/4"-2" 995 | 2 5/8 | 60 | 2 5/8 | 60 | .38 .17 |
| 909EL-F | Gray Cast Iron with Zinc Phosphate Primer | 0881382 | 1 1/4"-2" 009/LF009M1 1 1/4"-2" 009/LF009, 909/LF909 2" 009M2 | 3 5/8 | 92 | 3 5/8 | 92 | 2 .91 |
| 909EL-H | | 0881384 | 2 1/2"-3" 009/LF009, 909/LF909 | — | — | — | — | 2 51 — — |
| (vertical) | | | | | | | | |
| 919 EL-C | Bronze | 0881578 | 3/4"-1" 919/LF919 | 2 1/4 | 57 | 2 5/8 | 67 | 0.63 0.28 |
| 919 EL-F | Cast Iron | 0881579 | 1 1/4"-2" 919/LF919 | 5 1/4 | 133 | 4 | 102 | 2 0.9 |
| 994EL-F | Steel Epoxy Coated | 0881396 | 2 1/2"-10" 994 | 4 7/8 | 124 | 9 | 229 | 2 51 4 1.8 |

Test Cocks - Lead Free*

LFTC

For use with backflow preventers, isolation valve for gauges, isolation valves for small equipment lines.

- Full port ball valve design
- Screwdriver slot to open and close
- Available 1/8" M x 1/4" F (0792001) or 1/4" M x 1/4" F (0792000)



LFTC

- 1/2" TC for 2 1/2" - 4" (65 - 100mm)** series 757 and 957 (0792520)
- 3/4" TC for 6" - 10" (150 - 250mm)** series 757 and 957 (0792521)
- 3/4" TC for 6" - 10" (150 - 250mm)** with MNPT thread (0792525)
- Full port ball valve design



LFSAE-TC

- Full port ball valve design
- Screwdriver slot operation
- Available 1/8" M x SAE (0792002)



No. 3 LFTC with O-Ring

- for 2 1/2" - 4" (65 - 100mm)** series 757 and 957 (0792522)
- for 6" - 10" (150 - 250mm)** series 757 and 957 (0792523)

*The wetted surface of this product contacted by consumable water contains less than 0.25% of lead by weight.

**Metric Dimensions are nominal pipe diameter.

Accessories Cap & Tether

Plastic Cap & Tether

(four required per backflow preventer)

- Fits 1/4" Female test cocks
- Plastic dust cap and rubber tether
- RK-TC 1/8" (0888846)



SAE-TC Brass Cap

- Protects SAE-TC from dirt and debris (0006902)

SAE-TC Adapter

- 1/4" female SAE x 7/16" FPT
- Adapts to SAE-TC for use with pressure gauge and/or site tube
- SAE-TC Adapter (0006903)



Brass Cap & Plastic Tether

(four required per backflow preventer)

- Fits 1/8" M x SAE test cocks
- Brass dust cap with O-ring seal and rubber tether
- RK-SAE-TC (0888845)



USA: T: (978) 689-6066 • F: (978) 975-8350 • Watts.com
 Canada: T: (905) 332-4090 • F: (905) 332-7068 • Watts.ca
 Latin America: T: (52) 55-4122-0138 • Watts.com