

Job Name _____

Contractor _____

Job Location _____

Approval _____

Engineer _____

Contractor's P.O. No. _____

Approval _____

Representative _____

Series 142

Process Boiler Water Feeder with Direct Feed Through Float Chamber

Size: 1/2"

Series 142 Process Boiler Water Feeders are used in heating applications on pressing machines and other small process boilers when direct feed through the float chamber is permissible. This series has direct water feed connections—a 1/2" NPT female water feed connection and a 1" NPT female float chamber connection. Water is fed automatically as needed to maintain the correct water operating level in the boiler. The entire unit is simple in design and operation, easy to install, and inexpensive to operate. The simple construction of the feed valve permits quick and easy cleaning should it become fouled by dirt in the water supply.

Features

- Direct water feed connections:
 - 1/2" NPT female water feed connection
 - 1" NPT female float chamber connection
- Automatic water feed
- Strainer (Model 142S)
- Easy cleaning

Models

142	without strainer
142S	with strainer

Materials

Body:	Cast Iron
Strainer:	Bronze

Pressure-Temperature

Maximum Working Pressure: 100psi (6.9 bar) Steam
 Maximum Working Pressure: 145psi (10.0 bar) Water
 The water pressure must be at least 10psi (69 kPa)
 higher than steam pressure



142

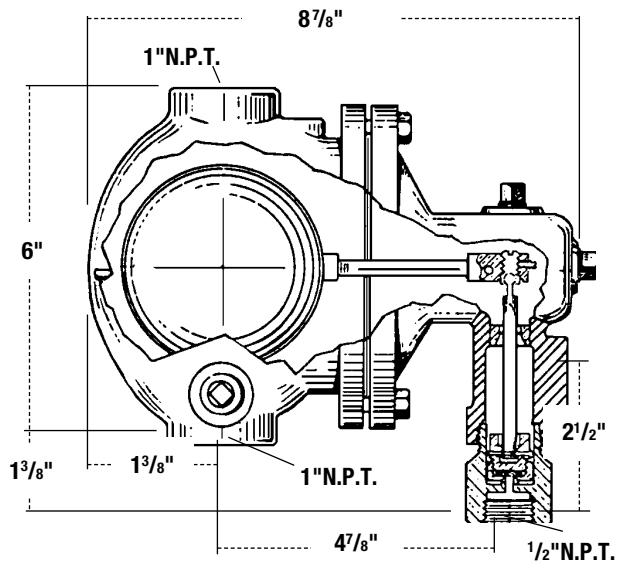
NOTICE

The information contained herein is not intended to replace the full product installation and safety information available or the experience of a trained product installer. You are required to thoroughly read all installation instructions and product safety information before beginning the installation of this product.

NOTICE

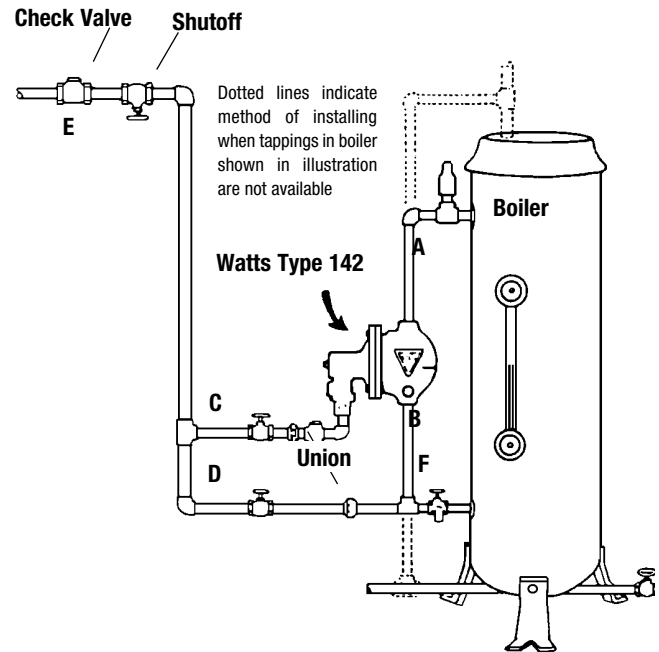
Inquire with governing authorities for local installation requirements

Dimensions



Capacity

DIFF. BETWEEN STEAM AND WATER PRESSURE	BOILER HORSE POWER
10	8
20	13
30	16
40	18
50	19



USA: T: (978) 689-6066 • F: (978) 975-8350 • Watts.com
 Canada: T: (905) 332-4090 • F: (905) 332-7068 • Watts.ca
 Latin America: T: (52) 81-1001-8600 • Watts.com