

For Heating Applications

Job Name _____
 Job Location _____
 Engineer _____
 Approval _____

Contractor _____
 Approval _____
 Contractor's P.O. No. _____
 Representative _____

Series RA-CV

Steam Angle Convactor Valves

Sizes: 1" - 1 1/4" (25 - 32mm)

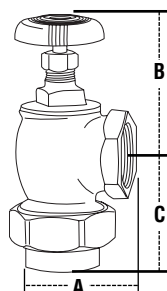
Features:

- Female union x thread
- Constructed of heavy duty bronze
- Rising stem
- Renewable composition disc
- Teflon® stem packing

Pressure - Temperature

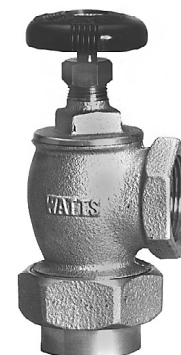
Working Pressure Non-Shock
 Saturated Steam 15psi
 Hot Water 60psi

Dimensions - Weights



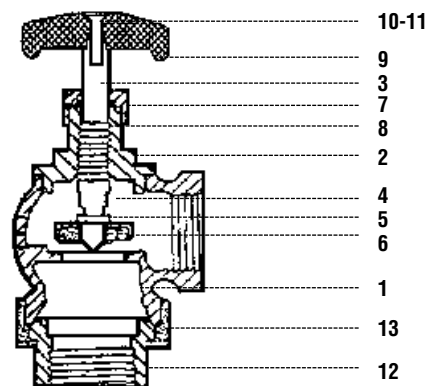
SIZE (DN)		DIMENSIONS				WEIGHTS			
in.	mm	A		B		C		lbs	kg.
		in.	mm	in.	mm	in.	mm		
1	25	1 11/16	42	3 9/16	90	2 5/16	59	1.83	.83
1 1/4	32	1 3/4	44	3 13/16	97	2 9/16	66	2.4	1.09

Teflon® is a registered trademark of the E.I. Dupont de Nemours & Company, Incorporated.



RA-CV

Materials



NO.	PART	MATERIAL
1	Body	Bronze ASTM B584 C84400
2	Bonnet	Bronze ASTM B584 C84400
3	Stem	Brass ASTM B-16
4	Retainer	Brass ASTM B-16
5	Disc	Rubber NBR
6	Disc Nut	Brass ASTM B-16
7	Packing Nut	Brass ASTM B-16
8	Packing	Teflon®
9	Handwheel	Plastic
10	Screw	Steel AISI 1020
11	Name Plate	Aluminum ASTM 209-1100
12	Swivel	Bronze ASTM B584 C84400
13	Nut	Bronze ASTM B584 C84400

Watts product specifications in U.S. customary units and metric are approximate and are provided for reference only. For precise measurements, please contact Watts Technical Service. Watts reserves the right to change or modify product design, construction, specifications, or materials without prior notice and without incurring any obligation to make such changes and modifications on Watts products previously or subsequently sold.



USA: 815 Chestnut St., No. Andover, MA 01845-6098; www.wattsreg.com
 Canada: 5435 North Service Rd., Burlington, ONT. L7L 5H7; www.wattscda.com

