

Job Name _____
 Job Location _____
 Engineer _____
 Approval _____

Contractor _____
 Approval _____
 Contractor's P.O. No. _____
 Representative _____

Series OTV-M1

Oil Tank Valves

Sizes: 1/2" x 3/8"

Features

- 1/4 Turn ball valve design
- Heavy duty brass
- Adjustable packing nut
- PTFE seat and packing

Pressure – Temperature

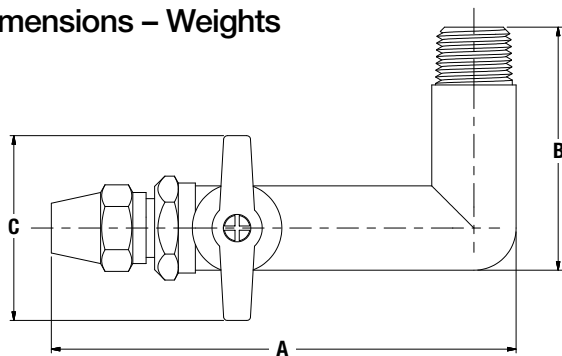
Working Pressure Non-Shock: 125psi WOG

Materials

Body: Brass
 Stem: Brass
 Seats: PTFE
 Packing: PTFE
 Packing nut: Brass
 Flare nut*: Brass

*OTV-FL-M1 only

Dimensions – Weights



OTV-FL-M1

NOTICE

The information contained herein is not intended to replace the full product installation and safety information available or the experience of a trained product installer. You are required to thoroughly read all installation instructions and product safety information before beginning the installation of this product.

NOTICE

Inquire with governing authorities for local installation requirements

MODEL	SIZE	DIMENSIONS						WEIGHT	
		A		B		C		lbs.	kgs
	in.	in.	mm	in.	mm	in.	mm		
OTV-FL-M1	1/2 M x 3/8 FL	4 15/16	125	2 9/16	65	1 15/16	49	.76	.34
OTV-M-M1	1/2 M x 3/8 M	4 1/2	114	2 9/16	65	1 15/16	49	.70	.32

Watts product specifications in U.S. customary units and metric are approximate and are provided for reference only. For precise measurements, please contact Watts Technical Service. Watts reserves the right to change or modify product design, construction, specifications, or materials without prior notice and without incurring any obligation to make such changes and modifications on Watts products previously or subsequently sold.



USA: T: (978) 689-6066 • F: (978) 975-8350 • Watts.com
 Canada: T: (905) 332-4090 • F: (905) 332-7068 • Watts.ca
 Latin America: T: (52) 81-1001-8600 • Watts.com