

For Residential and Commercial Applications

Job Name _____

Contractor _____

Job Location _____

Approval _____

Engineer _____

Contractor's P.O. No. _____

Approval _____

Representative _____

Series 2M2 DWB Duo-Closure™ Washing Machine Shutoff Valves

Size: 1/2" (15mm)

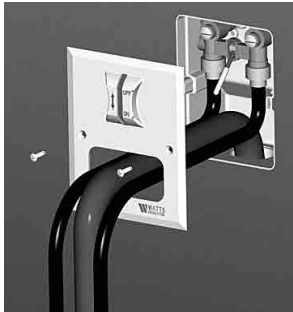
Series 2M2 DWB Duo-Closure™ Washing Machine Shutoff Valves consist of a molded plastic enclosure with top and side knockouts that accept the hot and cold water supply piping as well as a 1 1/2" and 2" (40 and 50mm) drain knockout to accommodate the waste drain pipe. The Duo-Closure™ incorporates a Watts Model 2M2 Duo-Cloz™ washing machine shutoff valve that simultaneously controls the flow of both hot and cold water to the appliance. The Duo-Closure™ trim plate can be decorated to blend in with the wall finish. The Series 2M2's ball-type design allows it to be opened to any position to throttle water flow and minimize harmful water hammer and banging pipes caused by fast closing washing machine solenoid valves.

Features

- Decorative white faceplate that can be painted or papered to match wall décor
- Used to manually eliminate water pressure on supply hoses and prevent catastrophic water damage
- Connects to 1 1/2" or 2" (40 or 50mm) drain piping
- Side or top water supply piping
- Supplied with water pressure test plugs
- Easy to install. Models 2M2 DWB. Complete with adjustable stud mounting brackets

Models

- 2M2 DWB** Size 1/2" (15mm) ell solder connections for concealed piping. Contains all of the components for a complete installation.
- 2M2 DWB Rough-In Kit** Contains components to rough-in and test piping and drain system
- 2M2 DWB Finish Kit** Contains the 2M2 washing machine shutoff valve and finish trim



2M2 DWB



2M2 DWB Finish Kit



2M2 DWB Rough-In Kit

NOTICE

The information contained herein is not intended to replace the full product installation and safety information available or the experience of a trained product installer. You are required to thoroughly read all installation instructions and product safety information before beginning the installation of this product.

Watts product specifications in U.S. customary units and metric are approximate and are provided for reference only. For precise measurements, please contact Watts Technical Service. Watts reserves the right to change or modify product design, construction, specifications, or materials without prior notice and without incurring any obligation to make such changes and modifications on Watts products previously or subsequently sold.



Specifications

The contractor shall install a single-handle wash machine shut-off valve. The ball-type valve shall simultaneously control the flow of both hot and cold water to the appliance and be fitted in a decorative recessed wall box. The decorative wall box shall have a provision for 1½ inch and 2 inch (40 and 50 mm) drain piping and a decorative cover.

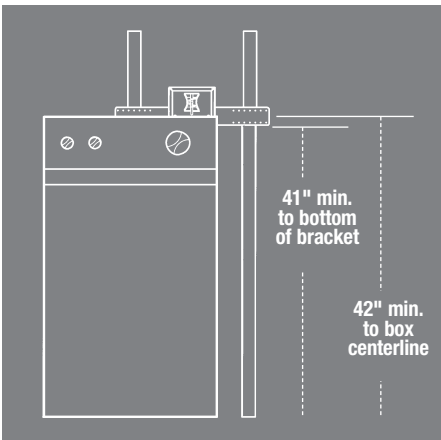
The valves shall be a Watts Series 2M2 DWB Duo-Clozure™ Washing Machine Shutoff Valve.

Pressure — Temperature

Maximum Pressure: 150psi (10.3 bar)

Maximum Temperature: 180°F (82°C)

Typical Installations



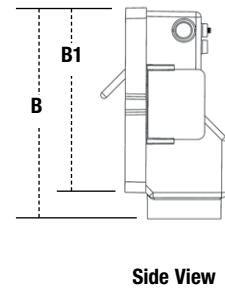
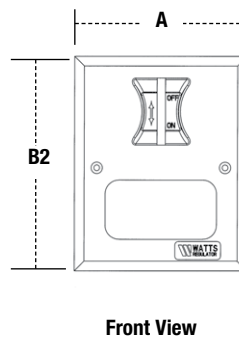
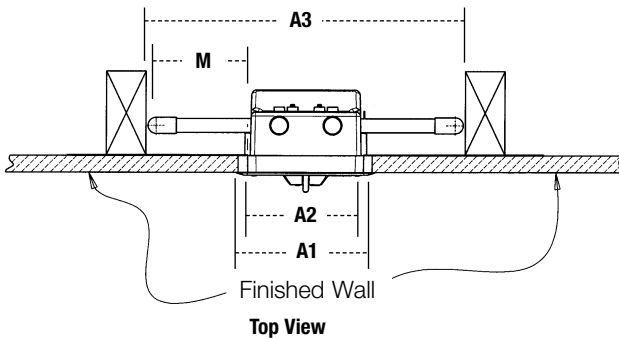
Duo-Clozure wall box supplied with adjustable stud mounting brackets for easy installation.

2M2 DWB



Duo-Clozure wall box roughed in with decorative faceplate installed.

Dimensions — Weights



MODEL	DIMENSIONS (APPROX.)										WEIGHT							
	A		A1		A2		A3		B		B1		B2		M		lbs.	kg
	in.	mm	in.	mm	in.	mm	in.	mm	in.	mm	in.	mm	in.	mm	in.	mm		
2M2 DWB	6 ³ / ₁₆	158	6	153	5 ³ / ₁₆	132	10 ³ / ₁₆	259	7 ¹ / ₃₂	183	6 ⁵ / ₈	168	7 ²¹ / ₃₂	195	2 ¹ / ₂	64	3	1.4

