

# Engineering Specification

Job Name \_\_\_\_\_  
 Job Location \_\_\_\_\_  
 Engineer \_\_\_\_\_  
 Approval \_\_\_\_\_

Contractor \_\_\_\_\_  
 Approval \_\_\_\_\_  
 Contractor's P.O. No. \_\_\_\_\_  
 Representative \_\_\_\_\_

## Series BD Brass Boiler Drain Shutoffs for Water Service

Sizes: 1/2" x 3/4" – 3/4" x 3/4"

### Features

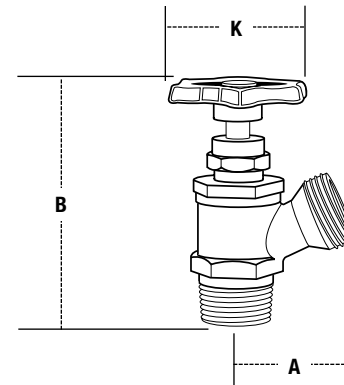
- 3/4" hose thread connection on outlet
- Dual solder or IP connection models
- Angle and straight pattern models

### Models

- BD-1C** Size 1/2" dual connection, solder or male IPS x 3/4" hose thread connection, angle pattern
- BD2** Size 3/4" male IPS x 3/4" hose thread connection, angle pattern
- BD-2C** Size 3/4" MIP x 3/4" hose thread connection, angle pattern
- BD3F** Size 1/2" female IPS x 3/4" hose thread connection, angle pattern
- BD4F** Size 3/4" female IPS x 3/4" hose thread connection, angle pattern
- BD5** Size 1/2" dual connection, solder or male IPS x 3/4" hose thread connection, straight pattern, hose thread connection
- BD6** Size 3/4" Male IPS x 3/4" hose thread connection, straight pattern

### Pressure – Temperature

Maximum Pressure: 200psi (14 bar) WOG, non-shock  
 Maximum Temperature: 250°F (121°C)



### Dimensions – Weights

MODEL	SIZE	DESCRIPTION	DIMENSIONS						WEIGHT	
			A		B		K		lbs.	kgs
	in.		in.	mm	in.	mm	in.	mm		
BD-1C	1/2	Male IP or Solder inlet, angle	1 1/3	34	3 1/2	89	2 1/10	54	.5	.24
BD2	3/4	Male IP inlet, angle	1 1/2	38	3 9/16	91	2 1/8	54	.5	.24
BD-2C	3/4	Male IP inlet, angle	1 1/3	34	3 1/2	90	2 1/10	54	.4	.20
BD3F	1/2	Female IP inlet, angle	1 1/2	38	3 1/4	82	2 1/8	54	.5	.24
BD4F	3/4	Female IP, angle	1 1/2	38	3 1/4	82	2 1/8	54	.5	.24
BD5	1/2	Male IP or Solder, straight	1 1/8	28	2 15/16	75	2 1/8	54	.4	.20
BD6	3/4	Male IP inlet, straight	1 1/8	28	3 1/8	80	2 1/8	54	.4	.20

### NOTICE

The information contained herein is not intended to replace the full product installation and safety information available or the experience of a trained product installer. You are required to thoroughly read all installation instructions and product safety information before beginning the installation of this product.

Watts product specifications in U.S. customary units and metric are approximate and are provided for reference only. For precise measurements, please contact Watts Technical Service. Watts reserves the right to change or modify product design, construction, specifications, or materials without prior notice and without incurring any obligation to make such changes and modifications on Watts products previously or subsequently sold.



**USA:** T: (978) 689-6066 • Watts.com  
**Canada:** T: (888) 208-8927 • Watts.ca  
**Latin America:** T: (52) 55-4122-0138 • Watts.com