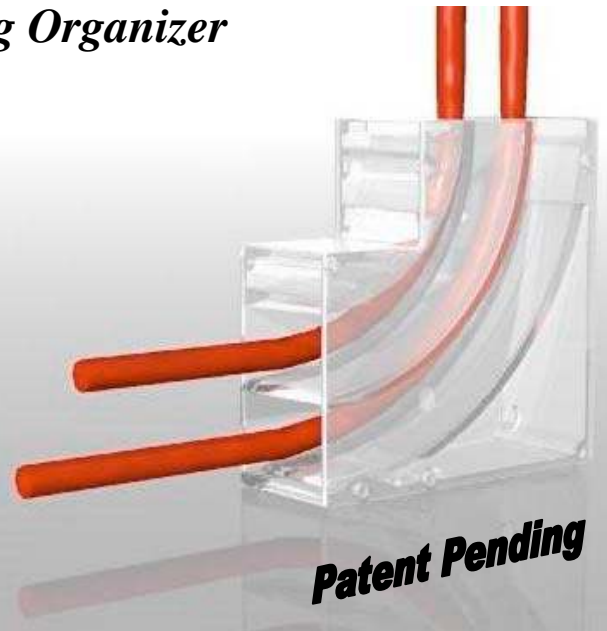


AXIOM

INDUSTRIES LTD.

PEX-Pal Tubing Organizer

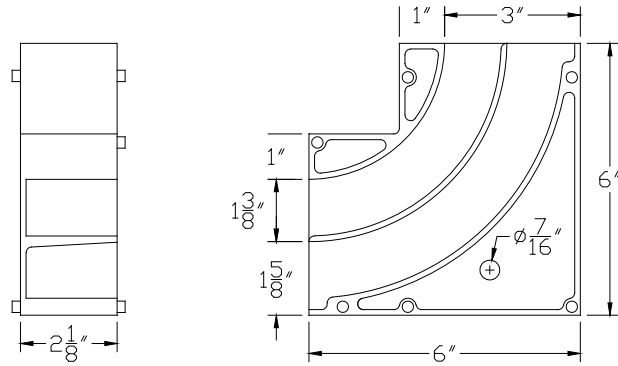
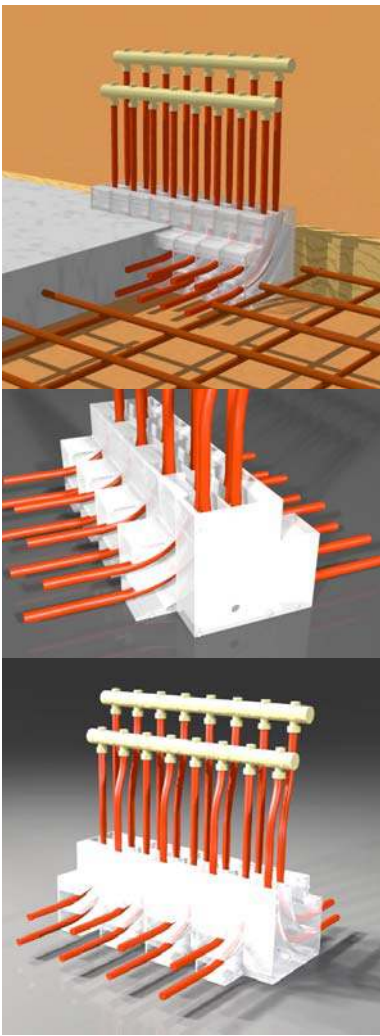
The 'PEX Pal' is a tubing collector and organizer for radiant heating in-floor installations. The modular two-channel design positions the supply and return pipes at the correct spacing required for connection to the manifolds.



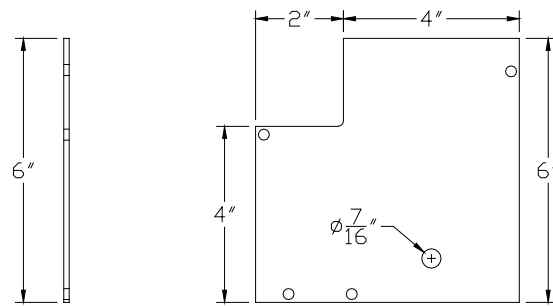
FEATURES and BENEFITS

- *Fast, organized and cost effective*
- *Mounts to decking, rebar, ready-rod, temporary manifold support or wooden forms*
- *Completely enclosed design protects the tubing at the floor surface*
- *Each channel keeps the supply and return pipes separate and directs them to the correct manifold*
- *Modular design allows the installer to add as many zones as required*
- *Reversibility of each module allows individual zones to be piped from opposite directions*
- *Each module is easily press fit together*
- *Maintains a larger bend radius than the manufacturers' recommended minimum for ¾" and smaller PEX tubing*
- *Constructed of high impact strength plastic*

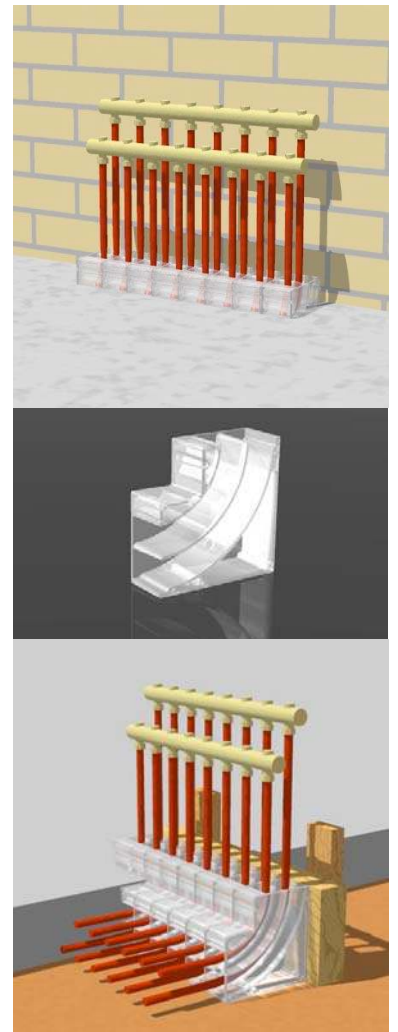
AXIOM INDUSTRIES LIMITED 2615 WENTZ AVENUE SASKATOON, SK S7K 5J1
TOLL FREE : (877) 651-1815 PHONE : (306) 651-1815 FAX : (306) 651-2293



Modular Tubing Collector



End Plate



Instructions

Each manifold station requires one End Plate and a PEX-Pal for each zone (E.g. 8 zones require 8 PEX-Pals and 1 End Plate). Each PEX-Pal module supports the supply and return pipe for one zone. On overpour applications, 2 pipes may be inserted through the bottom opening.

Line up each module in the proper orientation and firmly press them flush together. Add the end plate if one of the open sides remain exposed. Fasten the block of modules firmly to decking, rebar, ready-rod, temporary manifold support or wooden form using screws. Push the free end of the tubing through the channel guide on the PEX-Pal and connect it to the supply manifold. Proceed to lay the tubing circuit and slide the return line in the second channel guide before connecting to the return manifold.

