

REPLACEMENT PARTS

RESIDENTIAL & LIGHT COMMERCIAL



RESIDENTIAL & LIGHT COMMERCIAL REPLACEMENT PARTS

Replacement Motors

Super Stainless Water Well	2
High Thrust Water Well	4
Centrifugal Pumps	5

Submersible Parts

4" 3200 Series	6
4" Tri-Seal	7
4" Series V	9
4" Tri-Seal High Capacity	11
4" All Models	12
6" All Models	14

Non-Submersible Pumps

Shallow Well Jet Pumps	15
Convertible Well Jet Pumps	18
Self-Priming Centrifugal Pumps	23
Booster Pumps	27
End Suction Centrifugal Pumps	31
Flooded Suction Centrifugal Pumps	33

Accessories

Deep Well Injector Assembly	35
-----------------------------------	----

For the most up-to-date product information, visit franklinwater.com.

REPLACEMENT MOTORS - SUPER STAINLESS WATER WELL

MODELS: 1/2-1 HP; 1.5HP (3-WIRE 1-PH OR 3-PH ONLY)

HP	Models
1/2	2145_9004G, -GS
	2345_9204G, -GS
	2445_9004G, -GS
3/4	2145_9004G, -GS
	2345_9204G, -GS
	2445_9004G, -GS
1	2145_9003G, -GS
	2345_9203G, -GS
	2445_9003G, -GS
1.5	2243_9203G, -GS
	2345_9203G, -GS

PART DESCRIPTION: 1/2-1 HP

Fig. No.	Description	Kit
1	Stator	---
2	Rotor	---
3	End Bell Asm, Top	Top
4	End Bell Asm, Btm	Bottom
5	Bearing, Disk	Bottom
6	Spline Protector	Top & Misc
7	Support Washer	Top & Misc
8	Mounting Studs	Top & Misc
9	Diaphragm Guard	Bottom & Misc
10	Diaphragm	Bottom & Misc
11	Gasket	Bottom & Misc
12	Cover, Btm	Bottom & Misc
13	Shims	Bottom & Misc
14	Screws, Btm Cover	Bottom & Misc
15	O-ring	Top, Bottom & Misc

KIT DESCRIPTION: 1/2-1 HP

Kit No.	Description	Included Parts
305974910	Top End Bell Kit	3,6,7,8,15
305974922	Bottom End Bell Kit	4,5,9,10,11,12,13,14,15
305974912	Misc. Hardward Kit	6,7,8,9,10,11,12,13,14,15
305974914	BIAC Kit	Not shown above only for 2-wire motors

2

REPLACEMENT MOTORS - SUPER STAINLESS WATER WELL

MODELS: 2-3 HP; 1.5HP (2-WIRE 1-PH ONLY)

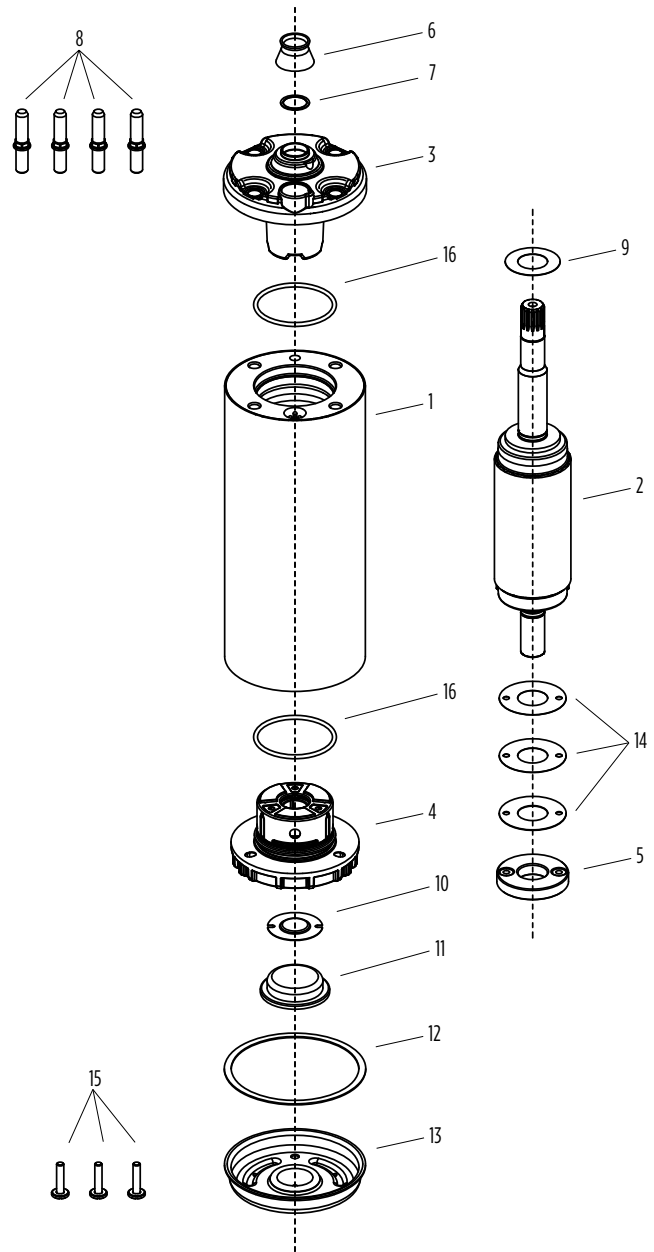
HP	Models
1.5	2443_9004G, -GS
	2243_9204G, -GS
2	2343_9204G, -GS
	2243_2604G, -GS
3	2247_2604G, -GS
	2343_2604G, -GS

PART DESCRIPTION: 2-3 HP

Fig. No.	Description	Kit
1	Stator	---
2	Rotor	---
3	End Bell Asm, Top	Top
4	End Bell Asm, Btm	Bottom
5	Bearing, Disk	Bottom
6	Spline Protector	Top & Misc
7	Support Washer	Top & Misc
8	Mounting Studs	Top & Misc
9	Washer, Bump	Top & Misc
10	Diaphragm Guard	Bottom & Misc
11	Diaphragm	Bottom & Misc
12	Gasket	Bottom & Misc
13	Cover, Btm	Bottom & Misc
14	Shims	Bottom & Misc
15	Screws, Btm Cover	Bottom & Misc
16	O-ring	Top, Bottom & Misc

KIT DESCRIPTION: 2-3 HP

Kit No.	Description	Included Parts
305974911	Top End Bell Kit	3,6,7,8,9,16
305974922	Bottom End Bell Kit	4,5,10,11,12,13,14,15,16
305974912	Misc. Hardware Kit	6,7,8,9,10,11,12,13,14,15,16
305974914	BIAC Kit	Not shown above only for 2-wire motors



REPLACEMENT MOTORS - HIGH THRUST WATER WELL

MODELS: 3-10 HP

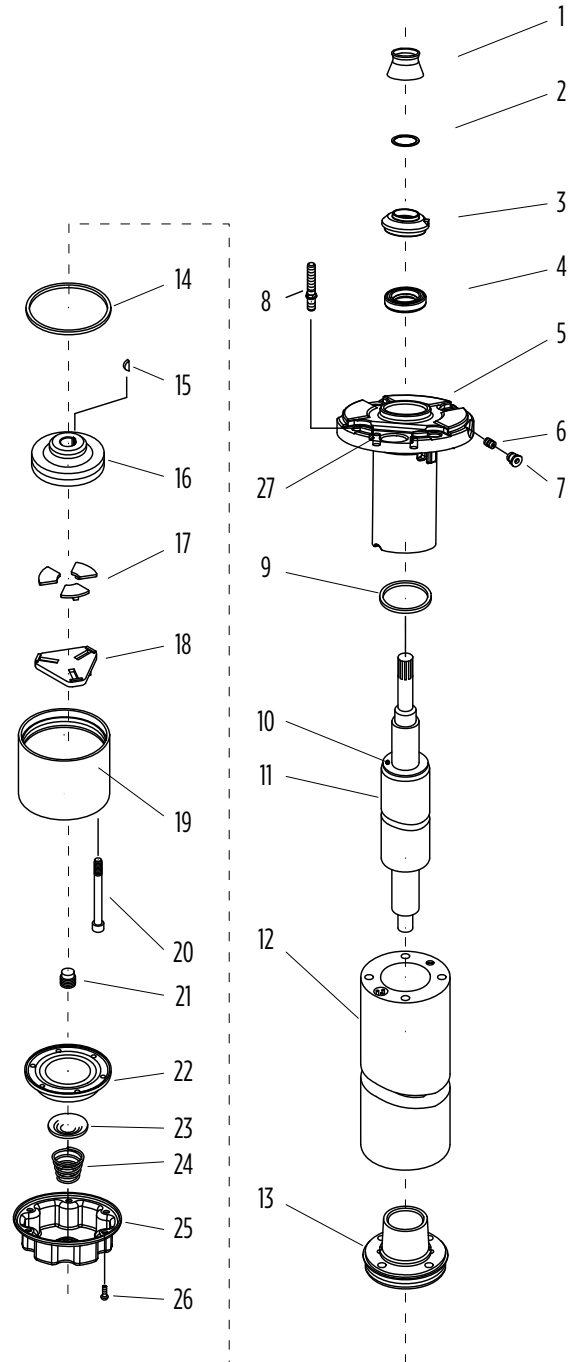
HP	Models
3-5	224_8600
	224_8602
3-10	234_8600
	234_8602

PART DESCRIPTION: 3-10 HP

Fig. No.	Description	Kit
1	Slinger	Top
2	Slinger Washer	Top
3	Seal Cover	Top
4	Lip Seal	Top
5	Top End Bell	Top
6	Check Valve	Top
7	Filter Assembly	Top
8	Motor Studs (4)	Top
9	O-ring	Top
10	Up Thrust Washer	Top
11	Rotor	-
12	Stator	-
13	Lower End Bell	Bottom
14	O-ring	Bottom
15	Woodruff Key	Bottom
16	Thrust Bearing	Bottom
17	Thrust Segments	Bottom
18	Leveling Disc	Bottom
19	Thrust Housing	Bottom
20	Thrust Housing Bolts	Bottom
21	Adjusting Screw	Bottom
22	Diaphragm	Bottom
23	Diaphragm Cup	Bottom
24	Diaphragm Spring	Bottom
25	Diaphragm Cover	Bottom
26	Diaphragm Cover Screws	Bottom
27	Lead Screws	Top

KIT DESCRIPTION: 3-10 HP

Description	Includes Parts	Parts Kit No.
Top End Bell Kit	1 - 10, 27	305974904
Bottom End Bell Kit	13 - 26	305974906



REPLACEMENT MOTORS - CENTRIFUGAL PUMPS

JET/SMALL PUMPS

Pump Series	Frame	HP	Single-phase			Three-phase		
			Voltage	Order No.	Wt.	Voltage	Order No.	Wt.
RM2 HJM1	56C Keyed Shaft	1/2	115/230	106026007	18	208-230/460	106023018	19
		3/4	115/230	106026008	25	208-230/460	106023019	27
		1	115/230	106026009	29	208-230/460	106023020	29
		1.5	115/230	106026010	30	208-230/460	106023021	30
		2	115/230	106026011	33	208-230/460	106023022	33
		3	230	106026012	40	208-230/460	106023023	68
VB6	56C Keyed Shaft	1.5	115/230	106199101K	31	208-230/460	106199201K	30
		2	115/230	106199102K	34	208-230/460	106199202K	35
		3	230	106199103K	41	208-230/460	106199203K	69
	TC Keyed Shaft	5	230	106199104K	35	208-230/460	106199204K	58
		7.5	230	Not Available		208-230/460	106199205K	74
C HJM2 PRM3	56J Threaded Shaft	1/3	230	90177817R	17	Not Available in Three-Phase		
		1/2	230	90100637R	18			
		3/4	230	90100561R	25			
		1	230	90100579R	29			
		1.5	230	90100587R	30			
		2	230	90119116R	34			
SHJM2	56J Threaded Shaft	1	115/230	90100629R	25	Not Available in Three-Phase		
		1.5	115/230	90100603R	30			
		2	115/230	90100611R	33			
		2.5	115/230	90100645R	34			
DDD DDS	56Z Square Flange	1/2	115/230	90106246R	18	208-230/460	90106758R	9
		3/4	115/230	90106253R	25	208-230/460	90106766R	10
		1	115/230	90106261R	29	208-230/460	90106774R	12
		1.5	115/230	90106279R	30	208-230/460	90106782R	14
		2	115/230	90106287R	33	208-230/460	90106790R	17
		2.5	115/230	90106295R	35	Not Available in Three-Phase		
SDEEP	56Z Square Flange	1/2	115/230	90101106R	18	Not Available in Three-Phase		
		3/4	115/230	90103227R	25			
		1	115/230	90103235R	29			
CYCLONE	56Z Square Flange	1/2	115/230	90101315R	18	Not Available in Three-Phase		
		3/4	115/230	90101327R	25			
		1	115/230	90101331R	29			
		1.5	115/230	90101345R	30			
		2	115/230	90101352R	33			

NOTE: 56C Round Flange motors have a 5/8" diameter shaft with 3/16" x 3/16" keyway; 56J Round Flange motors have a 5/8" diameter shaft with 7/16-20 UNF-2A thread; 56Z Square-Flange motors have a 5/8" diameter shaft with 1/2-20 UNC-2A thread

SUBMERSIBLE PARTS - 4" 3200 SERIES

STAINLESS STEEL/PLASTIC MODELS: 5-10 GPM

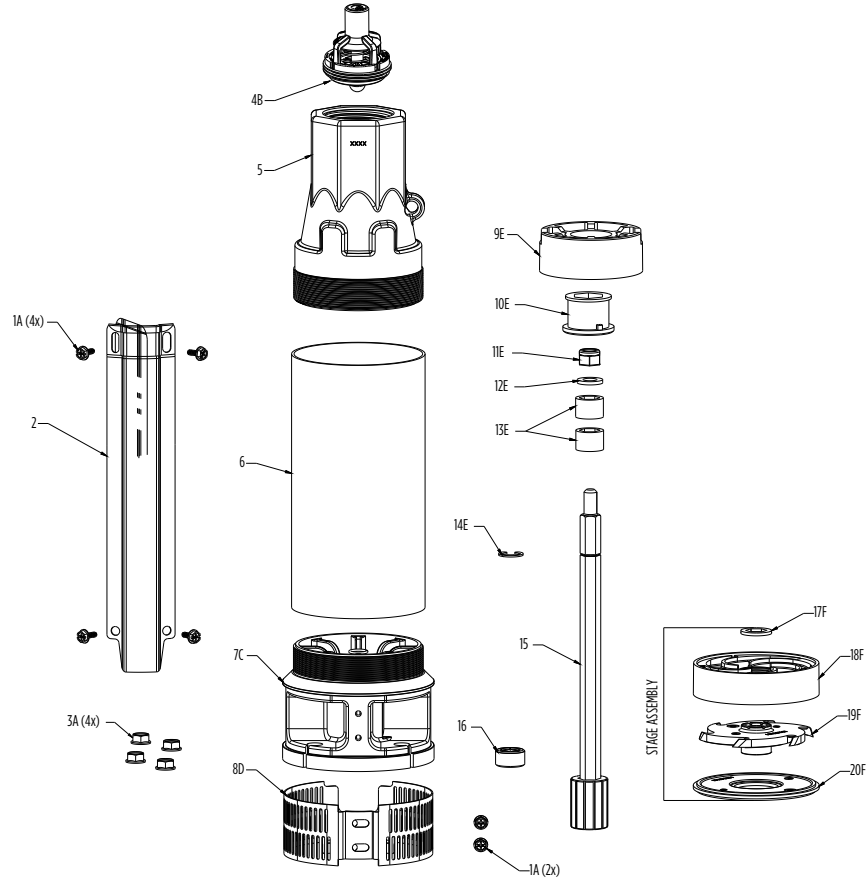


Fig. No.	Description	Kit Grouping Identifier*	Pump Type	
			Plastic	Stainless
1	Fastener Kit	A	305472001	
2	Cable Guard**	-	-	
3	Hex Nut	A	Included in 305472001	
4	Check Valve	B	305710002	
5	Discharge Head	-	-	
6	Pump Shell	-	-	
7	Motor Bracket	C	305472460	305472461
8	Intake Screen	D	305710004	
9	Bearing Support	E	305472003	
10	Top Bearing			
11	Self-Locking Nut			
12	Washer			
13	Hub Sleeve			
14	Retainer Ring Clip	-	-	
15	Pump Shaft			
16	Hex Spacer Sleeve	F	-	
17	Thrust Washer			
18	Diffuser Assembly			
19	Impeller Assembly			
20	Disk Assembly	F	305404924	
Not Shown	Stage Assembly - 5 GPM		305404925	
Not Shown	Stage Assembly - 7 GPM		305404926	
Not Shown	Stage Assembly - 10 GPM			

* Items with like identifiers are sold/packaged together

** Contact Customer Relations for assistance

SUBMERSIBLE PARTS - 4" TRI-SEAL

PLASTIC MODELS: 5-25 GPM

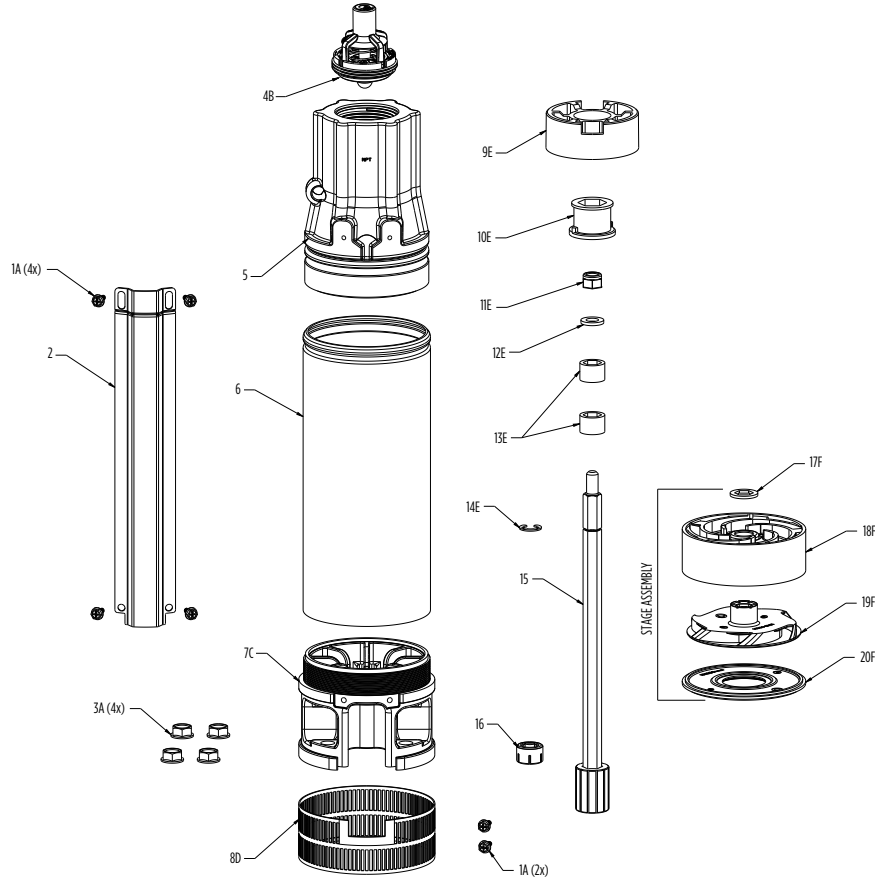


Fig. No.	Description	Component Construction Material	Kit Grouping Identifier*	Order No.
1	Fastener Kit	Stainless Steel	A	305472001
2	Cable Guard**	Stainless Steel	-	-
2	Cable Guard**	Thermoplastic	-	-
3	Hex Nut	Stainless Steel	A	305472001
4	Check Valve	Stainless Steel	B	305710002
5	Discharge Head	Stainless Steel	-	-
5	Discharge Head	Thermoplastic	-	-
6	Pump Shell	Stainless Steel	-	-
7	Motor Bracket	Stainless Steel	C	-
7	Motor Bracket	Thermoplastic	-	305472002
8	Intake Screen	Stainless Steel	D	305710004
8	Intake Screen	Thermoplastic	-	-
9	Bearing Support	Thermoplastic	-	-
10	Top Bearing	Rubber	-	-
11	Self-Locking Nut	Nylon/Stainless Steel	E	305472003
12	Washer	Stainless Steel	-	-
13	Hub Sleeve	Ceramic	-	-
14	Retainer Ring Clip	Stainless Steel	-	-
15	Pump Shaft	Stainless Steel	-	-
16	Hex Spacer Sleeve	Thermoplastic	-	-
17	Thrust Washer (black side down)	Phenolic/Carbon	-	-
18	Diffuser Assembly	Thermoplastic/Stainless Steel	F	-
19	Impeller Assembly	Thermoplastic	-	-
20	Disk Assembly	Thermoplastic/Stainless Steel	-	-
21	O-ring (when applicable)	Rubber	E	305472003
Not Shown	Stage Assembly - 5 GPM	-	-	305404911
Not Shown	Stage Assembly - 7 GPM	-	-	305404912
Not Shown	Stage Assembly - 10 GPM	-	F	305404913
Not Shown	Stage Assembly - 15 GPM	-	-	305404914
Not Shown	Stage Assembly - 20 GPM	-	-	305404915
Not Shown	Stage Assembly - 25 GPM	-	-	305404916

* Items with like identifiers are sold/packaged together
 ** Contact Customer Relations for assistance

SUBMERSIBLE PARTS - 4" TRI-SEAL

STAINLESS STEEL MODELS: 5-25 GPM

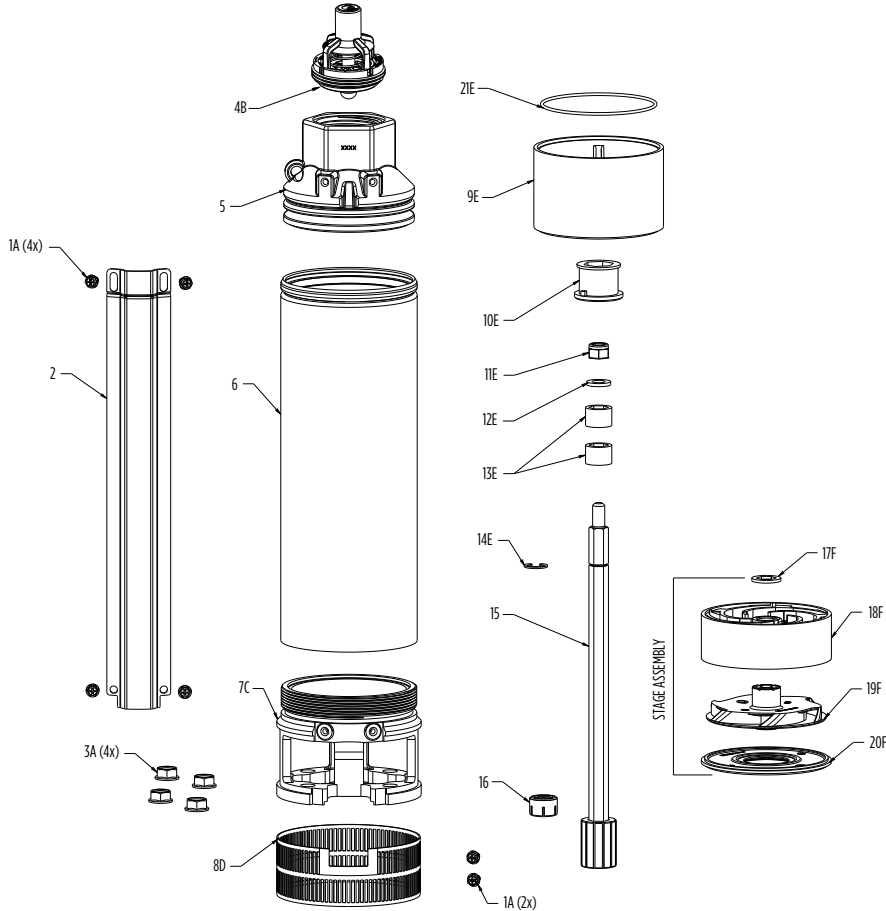


Fig. No.	Description	Component Construction Material	Kit Grouping Identifier*	Order No.
1	Fastener Kit	Stainless Steel	A	305472001
2	Cable Guard**	Stainless Steel	-	-
2	Cable Guard**	Thermoplastic	-	-
3	Hex Nut	Stainless Steel	A	305472001
4	Check Valve	Stainless Steel	B	305710002
5	Discharge Head	Stainless Steel	-	-
5	Discharge Head	Thermoplastic	-	-
6	Pump Shell	Stainless Steel	-	-
7	Motor Bracket	Stainless Steel	C	305710003
7	Motor Bracket	Thermoplastic	-	-
8	Intake Screen	Stainless Steel	D	305710004
8	Intake Screen	Thermoplastic	-	-
9	Bearing Support	Thermoplastic	-	-
10	Top Bearing	Rubber	-	-
11	Self-Locking Nut	Nylon/Stainless Steel	E	305472004
12	Washer	Stainless Steel	-	-
13	Hub Sleeve	Ceramic	-	-
14	Retainer Ring Clip	Stainless Steel	-	-
15	Pump Shaft	Stainless Steel	-	-
16	Hex Spacer Sleeve	Thermoplastic	-	-
17	Thrust Washer (black side down)	Phenolic/Carbon	-	-
18	Diffuser Assembly	Thermoplastic/Stainless Steel	F	-
19	Impeller Assembly	Thermoplastic	-	-
20	Disk Assembly	Thermoplastic/Stainless Steel	-	-
21	O-ring (when applicable)	Rubber	E	305472004
Not Shown	Stage Assembly - 5 GPM	-	-	305404911
Not Shown	Stage Assembly - 7 GPM	-	-	305404912
Not Shown	Stage Assembly - 10 GPM	-	-	305404913
Not Shown	Stage Assembly - 15 GPM	-	F	305404914
Not Shown	Stage Assembly - 20 GPM	-	-	305404915
Not Shown	Stage Assembly - 25 GPM	-	-	305404916

* Items with like identifiers are sold/packaged together

** Contact Customer Relations for assistance

SUBMERSIBLE PARTS - 4" SERIES V

PLASTIC MODELS: 5-25 GPM

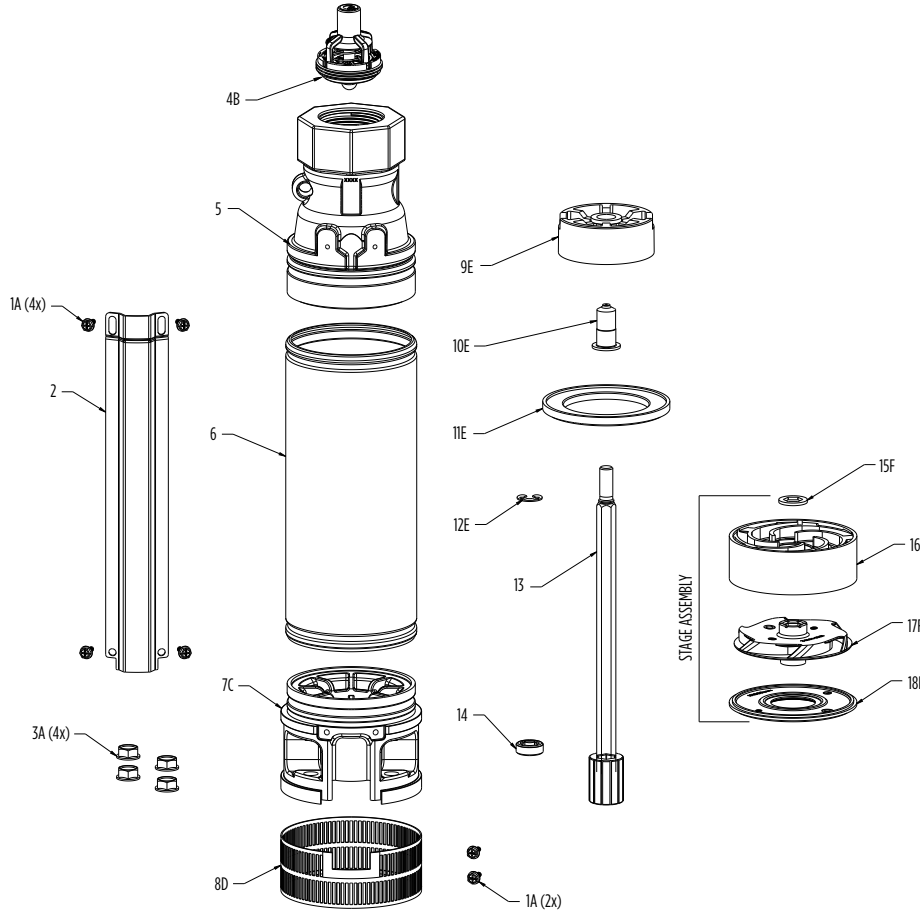


Fig. No.	Description	Component Construction Material	Kit Grouping Identifier*	Order No.
1	Fastener Kit	Stainless Steel	A	305710001
2	Cable Guard**	Stainless Steel	-	-
2	Cable Guard**	Thermoplastic	-	-
3	Hex Nut	Stainless Steel	A	305710001
4	Check Valve	Stainless Steel	B	305710002
5	Discharge Head	Stainless Steel	-	-
5	Discharge Head	Thermoplastic	-	-
6	Pump Shell	Stainless Steel	-	-
7	Motor Bracket	Stainless Steel	C	-
7	Motor Bracket	Thermoplastic	-	-
8	Intake Screen	Stainless Steel	D	305710004
8	Intake Screen	Thermoplastic	-	305710005
9	Bearing Support	Thermoplastic	-	-
10	Top Bearing	P.E.E.K.	E	-
11	Spacer (when applicable)	Thermoplastic	-	-
12	Retainer Ring Clip	Stainless Steel	-	-
13	Pump Shaft	Stainless Steel	-	-
14	Hex Spacer Sleeve	Thermoplastic	-	-
15	Thrust Washer (black side down)	Phenolic/Carbon	-	-
16	Diffuser Assembly	Thermoplastic/Stainless Steel	F	-
17	Impeller Assembly	Thermoplastic	-	-
18	Disk Assembly	Thermoplastic/Stainless Steel	-	-
19	O-ring (when applicable)	Rubber	E	-
Not Shown	Stage Assembly - 5 GPM	-	-	305404911
Not Shown	Stage Assembly - 7 GPM	-	-	305404912
Not Shown	Stage Assembly - 10 GPM	-	-	305404913
Not Shown	Stage Assembly - 15 GPM	-	F	305404914
Not Shown	Stage Assembly - 20 GPM	-	-	305404915
Not Shown	Stage Assembly - 25 GPM	-	-	305404916

*Items with like identifiers are sold/packaged together
 ** Contact Customer Relations for assistance

SUBMERSIBLE PARTS - 4" SERIES V

STAINLESS STEEL MODELS: 5-25 GPM

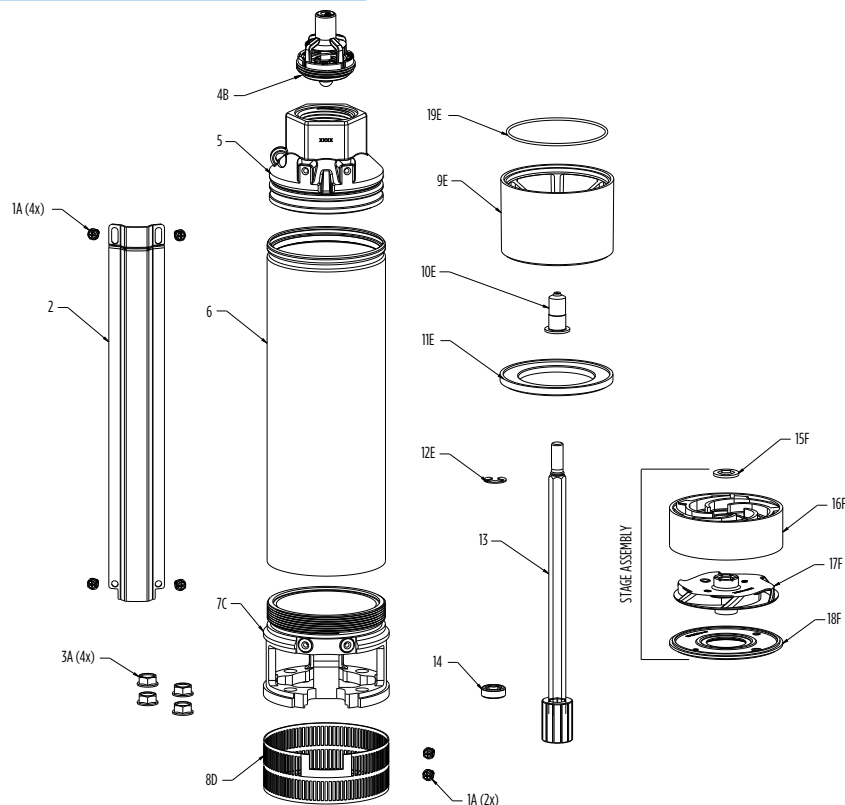


Fig. No.	Description	Component Construction Material	Kit Grouping Identifier*	Order No.
1	Fastener Kit	Stainless Steel	A	305710001
2	Cable Guard**	Stainless Steel	-	-
2	Cable Guard**	Thermoplastic	-	-
3	Hex Nut	Stainless Steel	A	305710001
4	Check Valve	Stainless Steel	B	305710002
5	Discharge Head	Stainless Steel	-	-
5	Discharge Head	Thermoplastic	-	-
6	Pump Shell	Stainless Steel	-	-
7	Motor Bracket	Stainless Steel	C	305710003
7	Motor Bracket	Thermoplastic	-	-
8	Intake Screen	Stainless Steel	D	305710004
8	Intake Screen	Thermoplastic	-	-
9	Bearing Support	Thermoplastic	-	-
10	Top Bearing	P.E.E.K.	E	305710006
11	Spacer (when applicable)	Thermoplastic	-	-
12	Retainer Ring Clip	Stainless Steel	-	-
13	Pump Shaft	Stainless Steel	-	-
14	Hex Spacer Sleeve	Thermoplastic	-	-
15	Thrust Washer (black side down)	Phenolic/Carbon	-	-
16	Diffuser Assembly	Thermoplastic/Stainless Steel	F	-
17	Impeller Assembly	Thermoplastic	-	-
18	Disk Assembly	Thermoplastic/Stainless Steel	-	-
19	O-ring (When Applicable)	Rubber	E	305710006
Not Shown	Stage Assembly - 5 GPM	-	-	305404911
Not Shown	Stage Assembly - 7 GPM	-	-	305404912
Not Shown	Stage Assembly - 10 GPM	-	-	305404913
Not Shown	Stage Assembly - 15 GPM	-	F	305404914
Not Shown	Stage Assembly - 20 GPM	-	-	305404915
Not Shown	Stage Assembly - 25 GPM	-	-	305404916

*Items with like identifiers are sold/packaged together

** Contact Customer Relations for assistance

SUBMERSIBLE PARTS - 4" TRI-SEAL HIGH CAPACITY

STAINLESS STEEL MODELS: 35-90 GPM

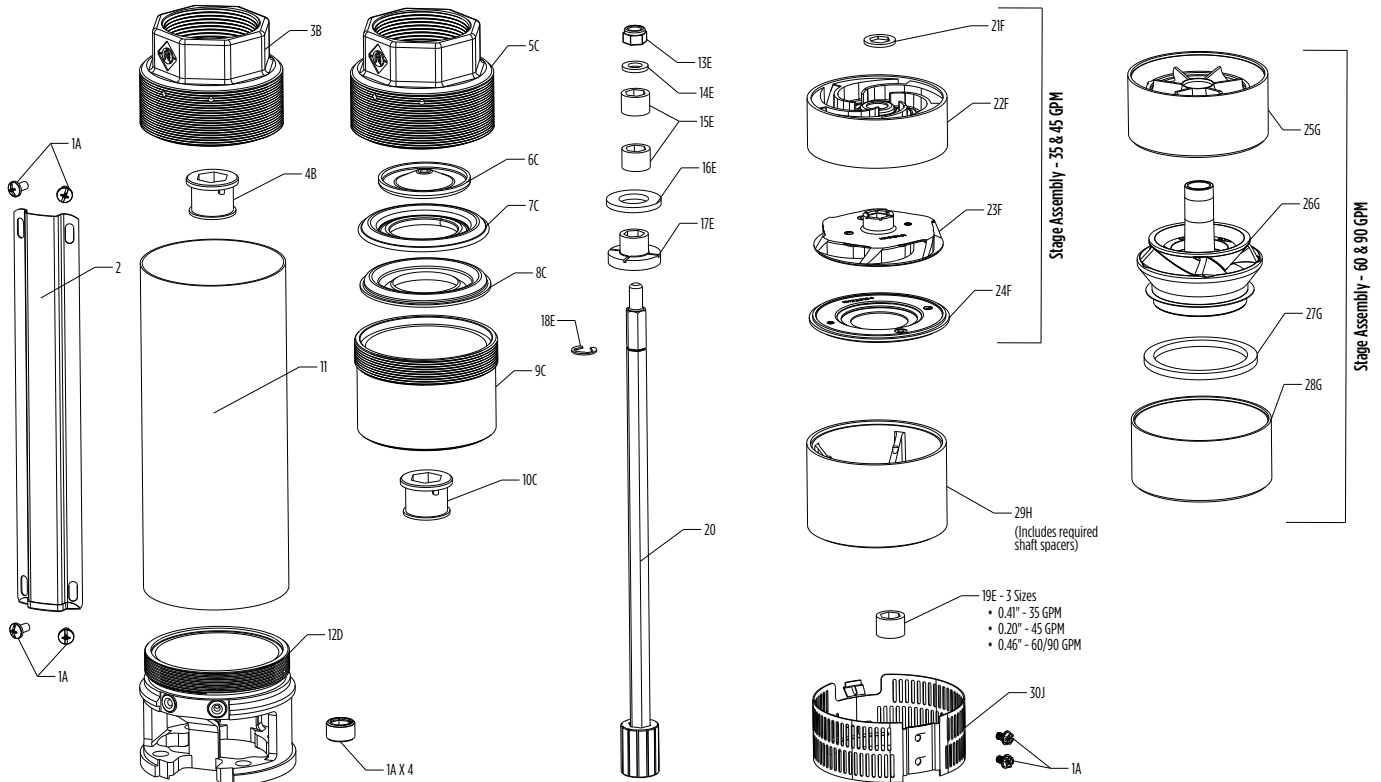


Fig. No.	Description	Component Construction Material	Kit Grouping Identifier*	Order No.	
				35/45 GPM	60/90 GPM
1	Fastener Kit	Stainless Steel	A	305711001	
2	Cable Guard*	Stainless Steel	-	-	
3	Discharge Head (No Check Valve)	Stainless Steel	-	-	
4	Top Bearing	Rubber	B	305711008	305711009
5	Discharge Head (Check Valve)	Stainless Steel	-	-	
6	Check Valve Disk	Stainless Steel	-	-	
7	Check Valve Seal	Rubber	C	305711010	305980901
8	Check Valve Retainer	Stainless Steel	-	-	
9	Bearing Support (Check Valve)	Stainless Steel	-	-	
10	Top Bearing	Rubber	-	-	
11	Pump Shell*	Stainless Steel	-	-	
12	Motor Bracket	Stainless Steel	D	305711011	305711003
13	Self-Locking Nut	Nylon/Stainless Steel	-	-	
14	Washer	Stainless Steel	-	-	
15	Hub Sleeve	Ceramic	-	-	
16	Thrust Washer**	Phenolic	E	305711012	
17	Thrust Journal**	Stainless Steel	-	-	
18	Retainer Ring Clip***	Stainless Steel	-	-	
19	Hex Spacer Sleeve (3 Sizes)	Thermoplastic	-	-	
20	Pump Shaft*	Stainless Steel	-	-	
21	35/45 GPM Thrust Washer (Black Side Down)	Phenolic/Carbon	-	-	
22	35/45 GPM Diffuser Assembly	Thermoplastic/Stainless Steel	-	-	
23	35/45 GPM Impeller Assembly	Thermoplastic	F	See P/N Below	-
24	35/45 GPM Disk Assembly	Thermoplastic/Stainless Steel	-	-	
Not Shown	Stage Assembly 35 GPM	Various	-	305711013	-
Not Shown	Stage Assembly 45 GPM	Various	-	305711014	-
25	60/90 GPM Diffuser Assembly	Thermoplastic	-	-	
26	60/90 GPM Impeller Assembly	Thermoplastic	-	-	
27	60/90 GPM Impeller Eye Seal	Urethane	G	-	See P/N Below
28	60/90 GPM Diffuser Cup	Thermoplastic	-	-	
Not Shown	Stage Assembly 60 GPM	Various	-	305711015	
Not Shown	Stage Assembly 90 GPM	Various	-	305711016	
29	Intermediate Bearing	Thermoplastic/Rubber/Ceramic	H	305711017	305711005
30	Intake Screen	Stainless Steel	J	305711004	

* Items with like identifiers are sold/packaged together
 ** Contact Customer Service for assistance
 *** Not used on 35 gpm

SUBMERSIBLE PARTS - 4" ALL MODELS

DISCONTINUED: 5-25 GPM

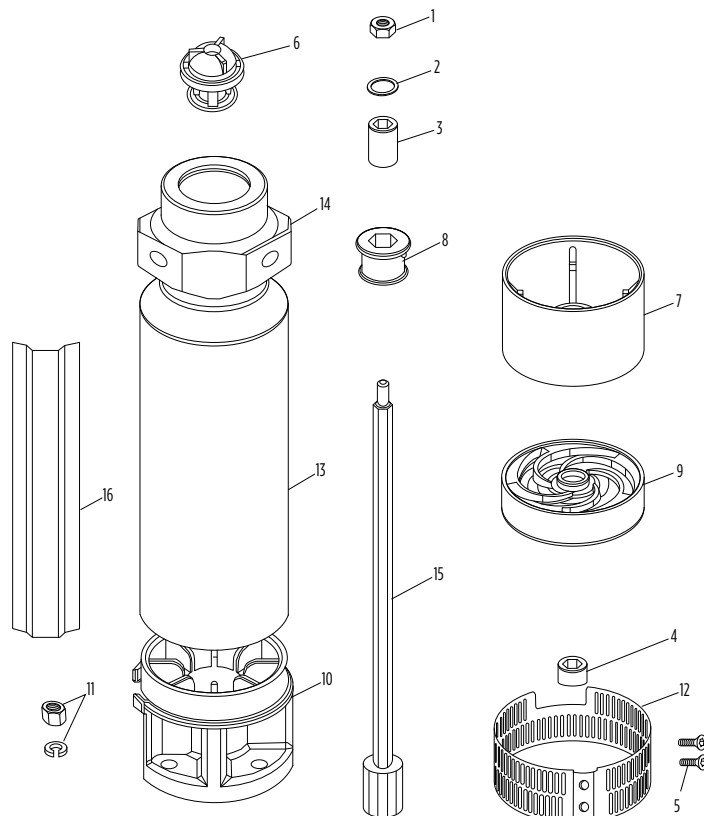


Fig. No.	Part No.	Description	Hurricane		SandHandler		
			Plastic	SS	Plastic	*Brass	SS
1	14-1371-03-R	SS Hex Nut 5/16-24	1	1	1	X	1
2	14-0756-00-R	Washer	1	1	1	X	1
3	08-2888-03-R	**Hub Sleeve 0.375" x 1" Hex Ceramic (built prior to 1/05)	X	X	X	X	X
	08-2903-06-R	Hub Sleeve 7/16" Hex Ceramic (built after 1/05)	1	1	1	-	2/4***
4	08-2770-06-R	**Spacer 0.68" OD x 0.44" ID x 0.053" L (built prior to 1/05)	X	X	X	X	X
	08-2963-03-R	Sleeve 7/16" Hex X 0.571" GFN	1	1	1	-	1/3***
5	14-4243-03-R	Cable Shield Screws	2	2	2	-	-
	14-4257-06-R	Cable Shield Screws	-	-	-	X	-
	14-4412-08-R	Cable Shield Screws	-	-	-	-	2
6	9198-5259	Check Valve Flowmatic	1	1	1	-	1
7	08-2323-02-R	Bearing Support 2.08" L	1	1	1	-	1
8	08-2888-05-R	Rubber Bearing 1.25" x 11/16" Hex	1	1	1	-	1
9	04-5883-07	**5 GPM Stage Assembly 7/16" Hex	-	-	CA	X	CA
	04-5884-06	**7 GPM Stage Assembly 7/16" Hex	-	-	CA	X	CA
	04-5879-03	**8 GPM Stage Assembly 7/16" Hex	CA	CA	-	-	-
	04-5869-05	**10 GPM Stage Assembly 7/16" Hex	-	-	CA	X	CA
	04-5880-00	**12 GPM Stage Assembly 7/16" Hex	CA	CA	-	-	-
	04-5881-09	**16 GPM Stage Assembly 7/16" Hex	CA	CA	-	-	-
	04-5826-07	**18 GPM Stage Assembly 7/16" Hex	-	-	CA	X	CA
	04-5882-08	**22 GPM Stage Assembly 7/16" Hex	CA	CA	-	-	-
	04-5867-07	**25 GPM Stage Assembly 7/16" Hex	-	-	CA	X	CA
10	02-1207-07-R	Bracket Plastic 3-7/16" LHT #5795 w/Screen #12	1	-	1	-	-
	02-1679-06	*Bracket Brass (discontinued 2001)	-	-	-	X	-
	02-1681-02-R	Bracket SS 3-7/16" THD	-	1	-	-	1
11	14-3914-03-R	Fastener Kit (4 ea. per kit)	1	1	1	X	1
12	22-5582-09-R	Screen 11.43" L x 1.50" w/Black Polyethylene	1	1	1	X	1
13	Not Available	Pump Shell (see 4" submersible product index for replacement pump end)	X	X	X	X	X
14	Not Available	1.25" Discharge Head	X	X	X	X	X
15	Not Available	7/16" Hex Stainless Steel Pump Shaft	X	X	X	X	X
16	Not Available	Cable Guard	X	X	X	X	X

* Effective Jan. 2001 Brass 4" units were discontinued and parts are no longer available

** Effective Jan. 1, 2005 the 4" submersible Pump Shaft size was changed from 3/8" hex to 7/16" hex

*** Quantity required if unit has intermediate bearing support

NOTE: For replacement parts consult the factory or see product index for replacement pump end (X = Not sold as a replacement part; CA = Contact Franklin Electric Customer Relations for assistance)

SUBMERSIBLE PARTS - 4" ALL MODELS

DISCONTINUED: 35-90 GPM

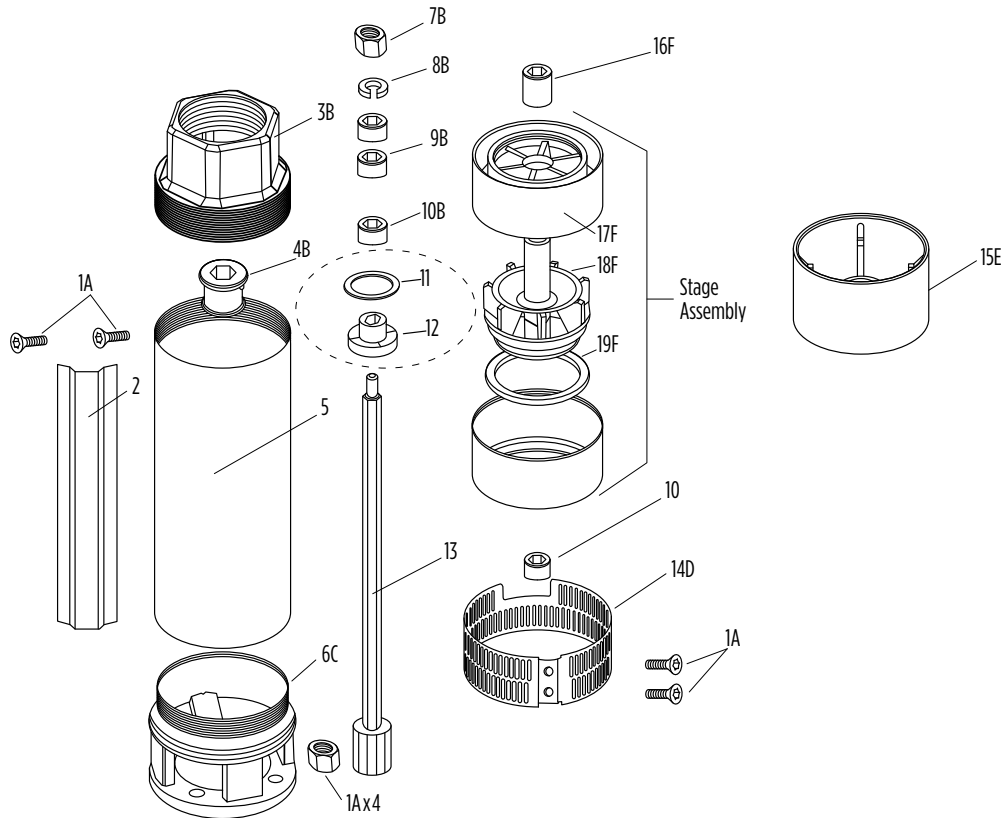


Fig. No.	Description	Component Construction Material	Kit Grouping Identifier*	Order No.	
1	Fastener Kit	Stainless Steel	A	305711001	
2	Cable Guard**	Stainless Steel	-	-	
3	Discharge Head	Stainless Steel	B	305711002	
4	Top Bearing	Rubber	-	-	
5	Pump Shell	Stainless Steel	-	-	
6	Motor Bracket	Stainless Steel	C	305711003	
7	Self-Locking Nut	Nylon/Stainless Steel	B	305711002	
8	Washer	Stainless Steel			
9	Hub Sleeve	Ceramic			
10	Hex Spacer Sleeve	Thermoplastic			
11	Thrust Washer***	Thermoplastic	-		
12	Thrust Journal***	Thermoplastic			
13	Pump Shaft	Stainless Steel			
14	Intake Screen	Stainless Steel	D	305711004	
15	Intermediate Bearing	Thermoplastic	E	305711005	
16	Hex Spacer Sleeve	Thermoplastic	F	-	
17	Diffuser Assembly	Various			
18	Impeller Assembly	Various			
19	Impeller Eye Seal	Urethane			
20	Diffuser Cup	Thermoplastic	-		
Not Shown	Stage Assembly - 35 GPM	-			305404917
Not Shown	Stage Assembly - 45 GPM	-			305404918
Not Shown	Stage Assembly - 60 GPM	-			305404919
Not Shown	Stage Assembly - 90 GPM	-	305404920		

* Items with like identifiers are sold/packaged together

** Contact Customer Service for assistance

*** Not used on 35 gpm

SUBMERSIBLE PARTS - 6" ALL MODELS

DISCONTINUED: 50-125 GPM

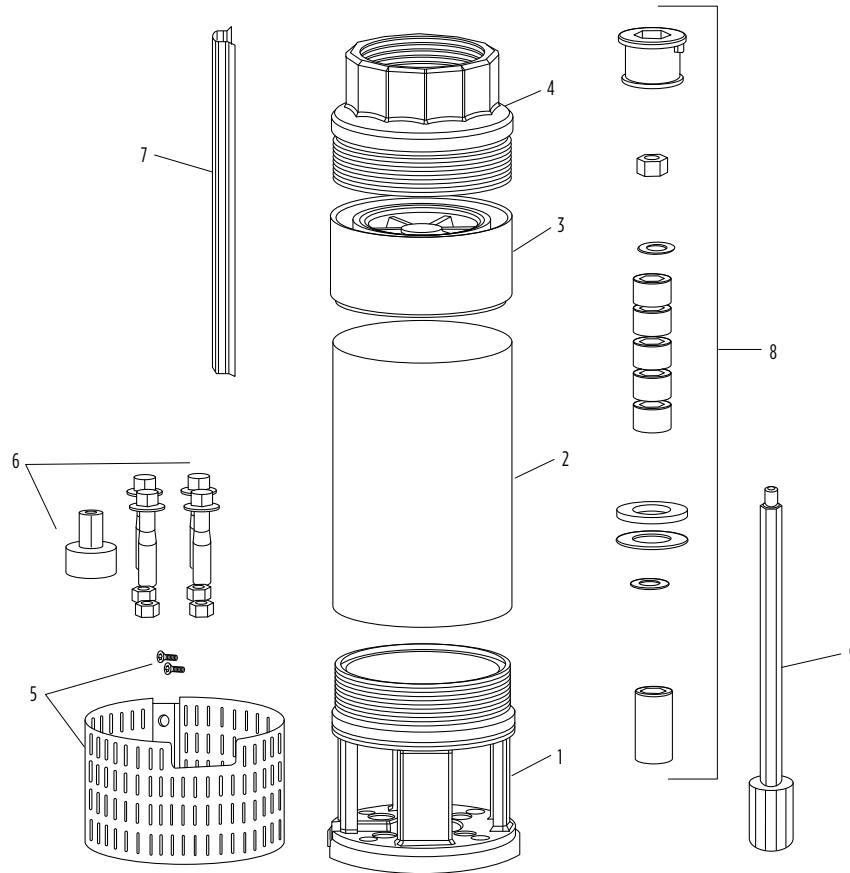
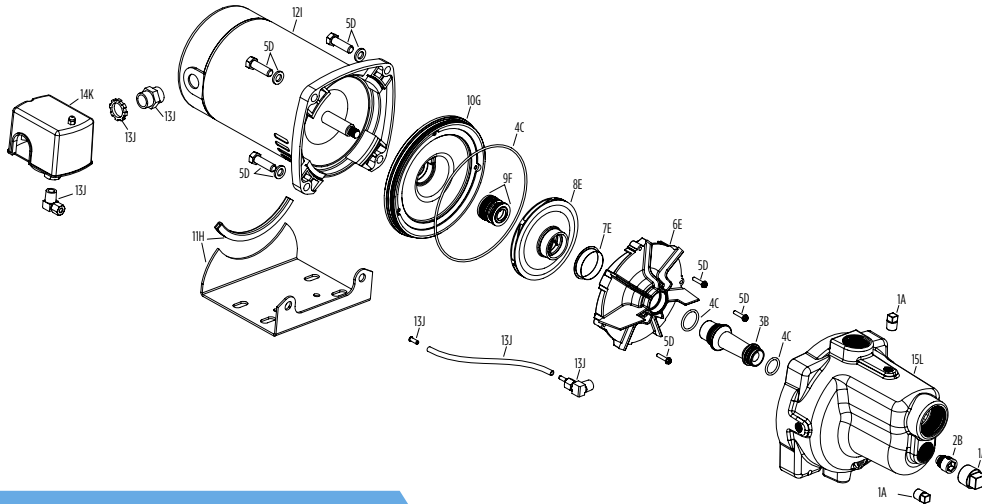


Fig. No.	Part No.	Description
1	305354002	SS Bracket (all models)
2	Shell	Consult Customer Relationship for Size and Availability
3	305354005	50 GPM Stage Assembly for 3, 5, 7.5, & 10 hp (built prior to 01/07)
	305354006	50 GPM Stage Assembly for 1.5 & 2 hp (built prior to 01/07)
	305354007	75 GPM Stage Assembly for 7.5, 10, 15, & 20 hp (built prior to 01/07)
	305354008	50 GPM Stage Assembly for All Models (beginning 01/07)
	305354009	75 GPM Stage Assembly for 3 & 5 hp (built prior to 01/07) and All Models (beginning 01/07)
	305354010	75 GPM Stage Assembly for Top Stage of 5 hp model (beginning 01/07)
	305354013	100 GPM Stage Assembly
305354014	125 GPM Stage Assembly	
4	305354003	SS Discharge 3" NPT (all models)
5	305354001	SS Screen w/Machine Screws (all models; 2 ea.)
6	305354903	4" Motor Bolt Kit for 1.5-3 hp
	305354901	4" & 6" Motor Bolt Kit for 5-10 hp
	305354902	6" Motor Bolt Kit for 15-40 hp
7	Cable Shield	Consult Customer Relationship for Size and Availability
8	305354011	Bearing and Spacers Repair Kit
9	Shaft	Consult Customer Relationship for Size and Availability

NON-SUBMERSIBLE PUMPS - SHALLOW WELL JET PUMPS

MODELS VJ05CI, VJ05CI-P, & VJ07CI



MODELS VJ07CI-P, VJ1CI, VJ1CI-P, & VJ15CI

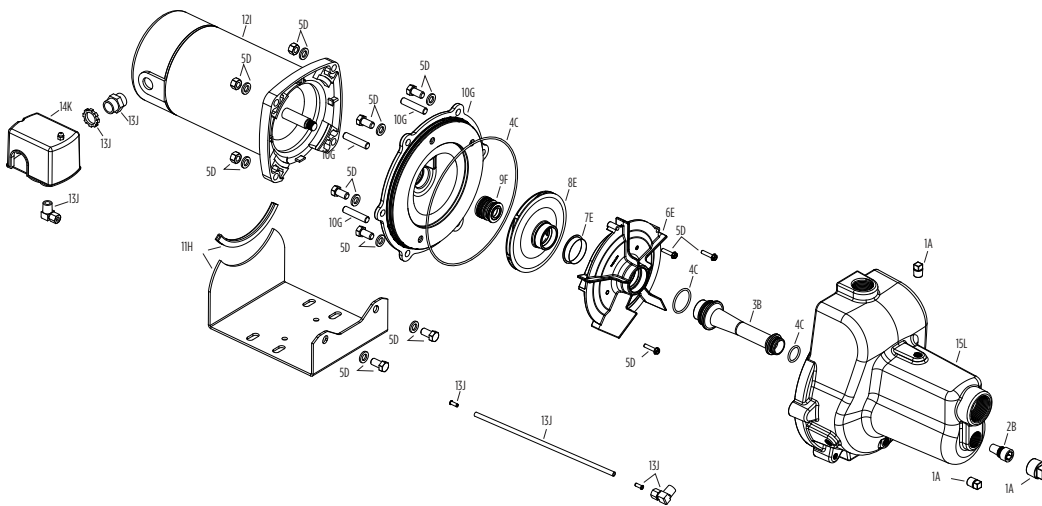


Fig. No.	Description	Kit Grouping Identifier*	Repair Part Order Codes By Model No.						
			VJ05CI	VJ05CI-P	VJ07CI	VJ07CI-P	VJ1CI	VJ1CI-P	VJ15CI
1	Plug Set	A	305366901						
2	Jet Nozzle Set	B*	305367901	305367902	305367903		305367904		
3	Venturi								
4	O-ring Set	C	305368901			305368902			
5	Fastener Set	D	305369901			305369902			
6	Diffuser	E*	305370901	305370902	305370903		305370904		
7	Wear Ring								
8	Impeller								
9	Mechanical Seal	F*	305371901			305371902			
10	Seal Plate	G*	305372901			305372902			
11	Base Assembly	H	305373901			305373902			
12	Motor	I	305374901	305374903	305374902	305374906	305374904	305374907	305374905
13	Pressure Switch Attachment Set	J	305375901	305375907	305375904	305375908	305375905	305375909	305375906
14	Pressure Switch	K	305375902	305375903	305375902	305375903	305375902	305375903	305375902
15	Pump Case	L*	305376901			305376902			
Not Shown	Hydraulic Overhaul Kit	M**	305405901	305405902	305405903		305405904		

* Item ships with O-ring Kit C

** Hydraulic Overhaul Kit is the combination of kits B, C, D, E, and F

NON-SUBMERSIBLE PUMPS - SHALLOW WELL JET PUMPS

CY/CCY/SWJ SERIES

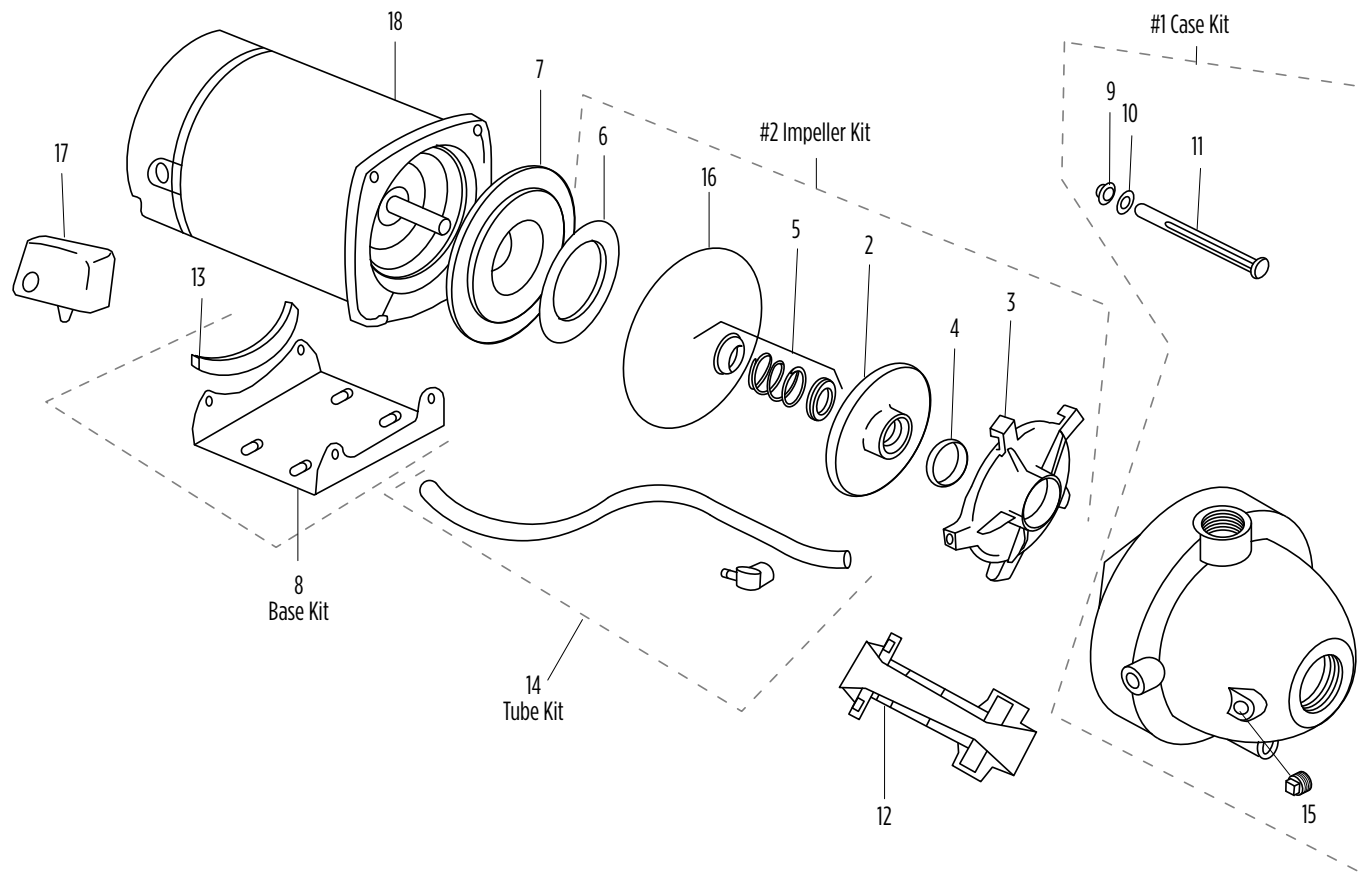


Fig. No.	Part No.	Description
1	03087300K	Case Kit "P" Plastic w/Fasteners & Plugs
2*	05380037RKIT	Impeller Kit #2794 @ 4.36" D for S5CY - 5CCY
	05392204RKIT	Impeller Kit #2794 @ 4.47" D for 1/2 hp and S-3/4 hp Unity
	05392303RKIT	Impeller Kit #2794 @ 4.88" D for 3/4 hp and S-1 hp Unity
3	Diffuser	See #2 Impeller Kit
4	0808451906PK	Wear Ring Kit (6 ea. per kit)
5	10000206	Mechanical Seal 5/8" (also included in impeller kits)
6	Disk	See #2 Impeller Kit
7	11152105R000	Seal Plate 6.165" Diameter
8	305373901	Base Assembly With Rubber Protector #13
9, 10, 11**	*14443204K	Fastener Kit (all models)
12	18044909R000	Nozzle & Venturi Assembly for 1/2 hp and S-3/4 hp Unity
	18045005R000	Nozzle & Venturi Assembly for 3/4 hp and S-1 hp Unity
13	Rubber Protector	See #8 Base Assembly
14	31119704K	Tube Kit 1/4" x 14-1/2" Poly-Black w/Barb Fittings #14
15	3100591106PK	Plug 1/4" Galvanized (available in 6 pack kit only)
16	4703614802PK	O-ring Kit 6" x 6-3/8" x 3/16" (2 per kit)
17	PRSW2040	Pressure Switch Set 20-40
18	Motor	See Motor Selection Page

* Impeller kits include impeller, diffuser, wear ring, mechanical seal, O-ring, disk #2, 3, 4, 5, 6, 16

** Fastener kits #14443204K include 4 ea. 3/8-16 x 2-3/4" hex capscrews #11, 4 ea. 3/8-16 hex nuts #9, 4 ea. 3/8" lock washers #10 ("P" models); 4 ea. 3/8-16 x 1.25" hex capscrews #11 ("C" models)

NON-SUBMERSIBLE PUMPS - SHALLOW WELL JET PUMPS

WJS/JP SERIES

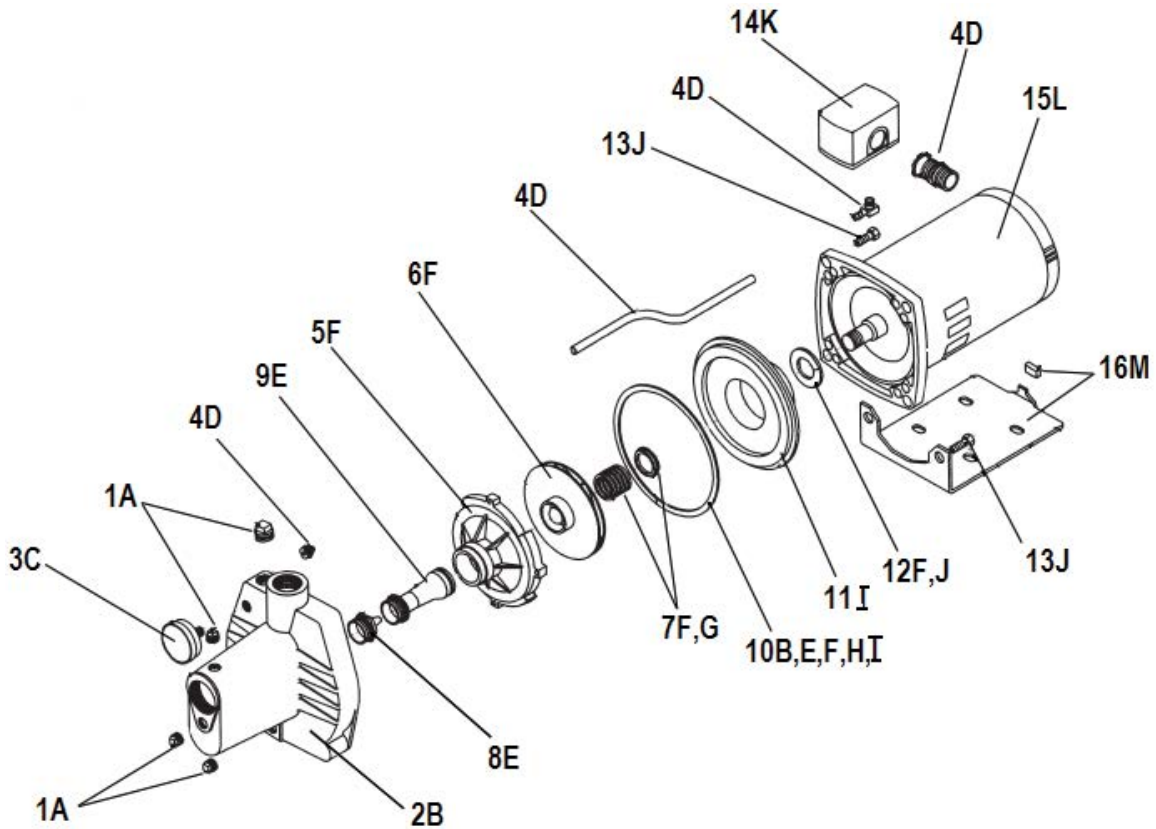


Figure No.	Description	Kit Grouping Identifier*	Repair Part Order Codes By Model No.			
			1/2 HP	1/2 HP (High Pressure)	3/4 HP	1 HP
1	Plugs Kit	A	305446953			
2	Casing	B	305446934			
3	Pressure Gauge	C	305446935			
4	Pressure Switch Attachment Kit	D	305446936			
5	Diffuser	F	305446941	305446942		
6	Impeller					
7	Mechanical Seal	G	305463176			
8	Nozzle	E	305446937	305446938	305446939	305446940
9	Venturi					
10	Gasket	B	305446934			
		F	305446941	305446942		
		H	305446945			
11	Seal Plate	I	305446943			
12	Finger	F	305446941	305446942		
13	Fastener Kit**	J	305446952			
14	Pressure Switch	K	305446944			
15	Motor	L	305446955	305446956	305446957	
16	Base Assembly	M	305446960			

* Items with like identifiers are sold/packaged together

** Fastener kit (13J) is a complete set of the hardware used to assemble the pump; as a convenience, kits B, E, F & I contain the fasteners needed for the reassembly of its components

NON-SUBMERSIBLE PUMPS - CONVERTIBLE WELL JET PUMPS

CONVERTIBLE VERSAJET

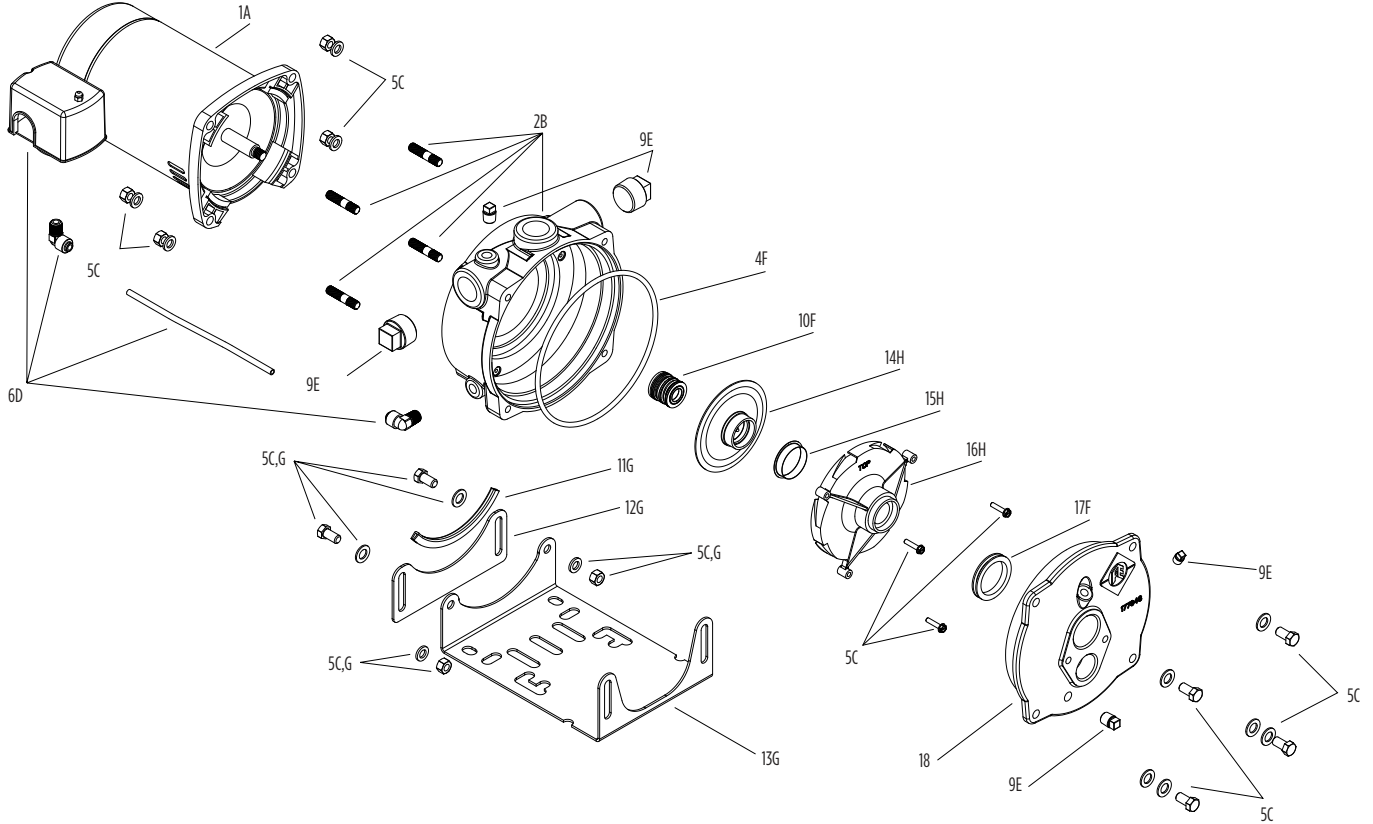


Figure No.	Description	Kit Grouping Identifier*	Repair Part Order Codes By Model No.						
			CVJ05CI	CVJ05CI-P	CVJ07CI	CVJ07CI-P	CVJ10CI	CVJ10CI-P	CVJ15CI
1	Motor	A	305374901	305374903	305374902	305374906	305374904	305374907	305374905
2	Studs	B	305465901						
3	Bracket								
4	O-ring	F	305465902						
5	Fasteners	C	305465903						
6	Pressure Switch	D	305465904						
7	Pressure Hose Fitting								
8	Pressure Hose Tubing								
9	Plugs	E	305465905						
10	Mechanical Seal	F	305465902						
11	Base Protector	G	305465906						
12	Base Extension								
13	Base								
14	Impeller	H	305465907	305465908	305465909		305465910		
15	Wear Ring								
16	Diffuser	F	305465902						
17	Grommet								
Not Shown	Overhaul Kit**	I	305465911	305465912	305465913		305465914		
18	Pump Face Plate	See Face Plate Ordering Table							

* Items with like identifiers are sold/packaged together

** Overhaul Kit includes kits C, E, F, H

NON-SUBMERSIBLE PUMPS - CONVERTIBLE WELL JET PUMPS

CWJ SERIES

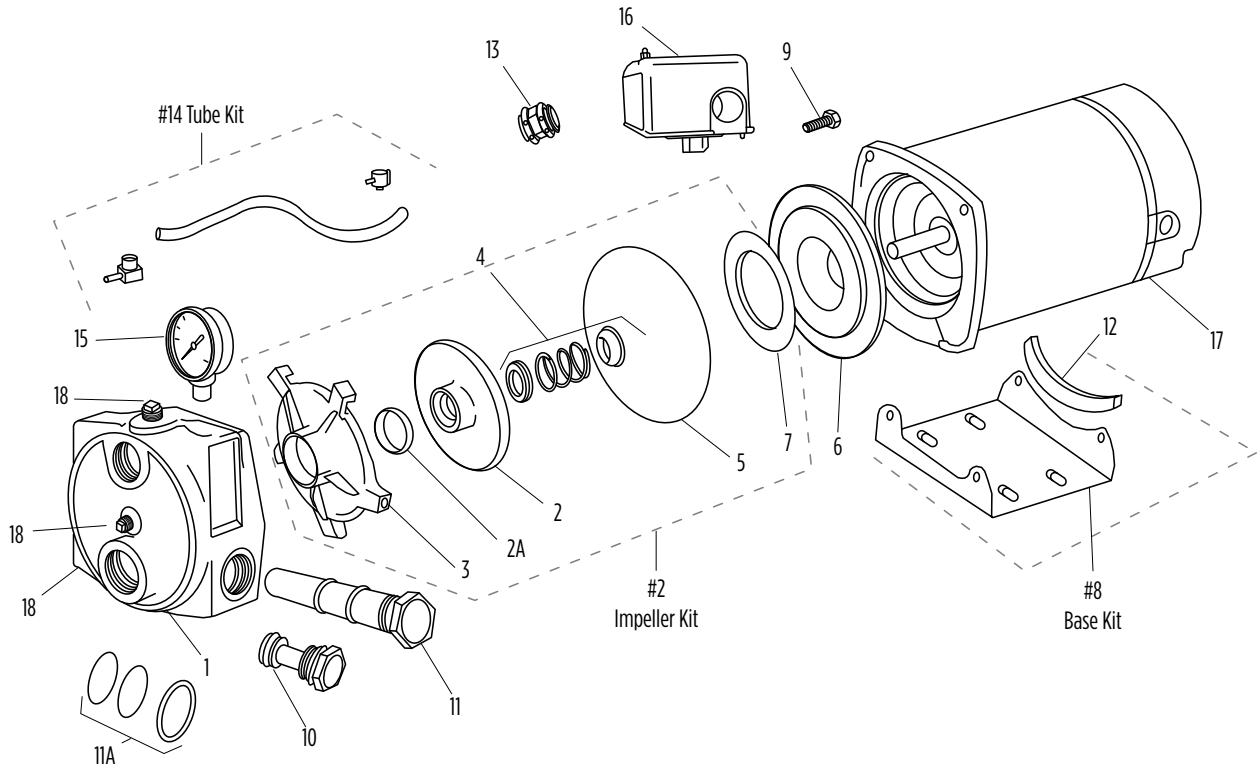


Figure No.	Part No.	Description
1	03-0838-05-R	Case Kit #11355 w/Wear Ring, Plugs, and Capscrews #1, 2A, 9, 18
2	24-0139-06**	Impeller Kit #2794 @ 4.47" D for 1/2 hp
	05-3923-03-RKIT**	Impeller Kit #2794 @ 4.94" D For 3/4 hp
	05-3857-03-RKIT**	Impeller Kit #2794 @ 4.88" D For 1 hp
2A	08-0845-19-06PK	Wear Ring Kit (6 per kit; also 1 is included w/Impeller Kit)
3		Diffuser See #2 Impeller Kit
4	10-0002-06	Mechanical Seal (also included w/Impeller Kit)
5	47-0361-48-02PK	O-ring Kit 6" x 6-3/8" x 3/16" (2 per kit)
6	11-1521-05-R	Seal Plate 6-1/2" Diameter
7		Disk See #2 Impeller Kit
8	30-5373-901	Base w/Protector #12
9	14443204-K	Fastener Kit*
10	18-1290-07-R	Deep Well Plug Assembly w/O-rings
11	18-1701-00-R	Shallow Well Injector #1234 For 1 hp w/O-rings
	18-1247-01-R	Shallow Well Injector #1023 For 1/2 hp w/O-rings
	18-1248-00-R	Shallow Well Injector #1034 For 3/4 hp w/O-rings
11A	24-0174-44	O-ring Kit for Shallow Well Injector #11 and Deep Well Plug #10
12	Rubber Protector	See #8 Base Assembly
13	23-2647-08-R	Box Spacer
14	31-1197-04-K	Tube Kit 1/4" x 14-1/2" Poly-Black w/Bard #16
15	9193-4018	Pressure Gauge 1/4" M 0-100#
16	PRSW2040	Pressure Switch Set 20-40
17		Motor See Motor Selection Page
18	31-0059-11-06PK	Plug Kit 1/4" Galvanized (6 per kit)
Kit	24-0085-00	SRP - Convertible Jet Pump Seal/O-ring Kit (includes Mechanical Seal #4, Case O-ring #5, Injector O-rings #11A)

NOTE: Product is obsolete; limited number of parts are available
 * Fastener Kit #14443204-K includes four 3/8-16 x 1.25" hex capscrews
 ** Impeller kits include impeller, diffuser, wear ring, mechanical seal, O-ring, and disk #2, 2A, 3, 4, 5, 7

NON-SUBMERSIBLE PUMPS - CONVERTIBLE WELL JET PUMPS

RM2 SERIES

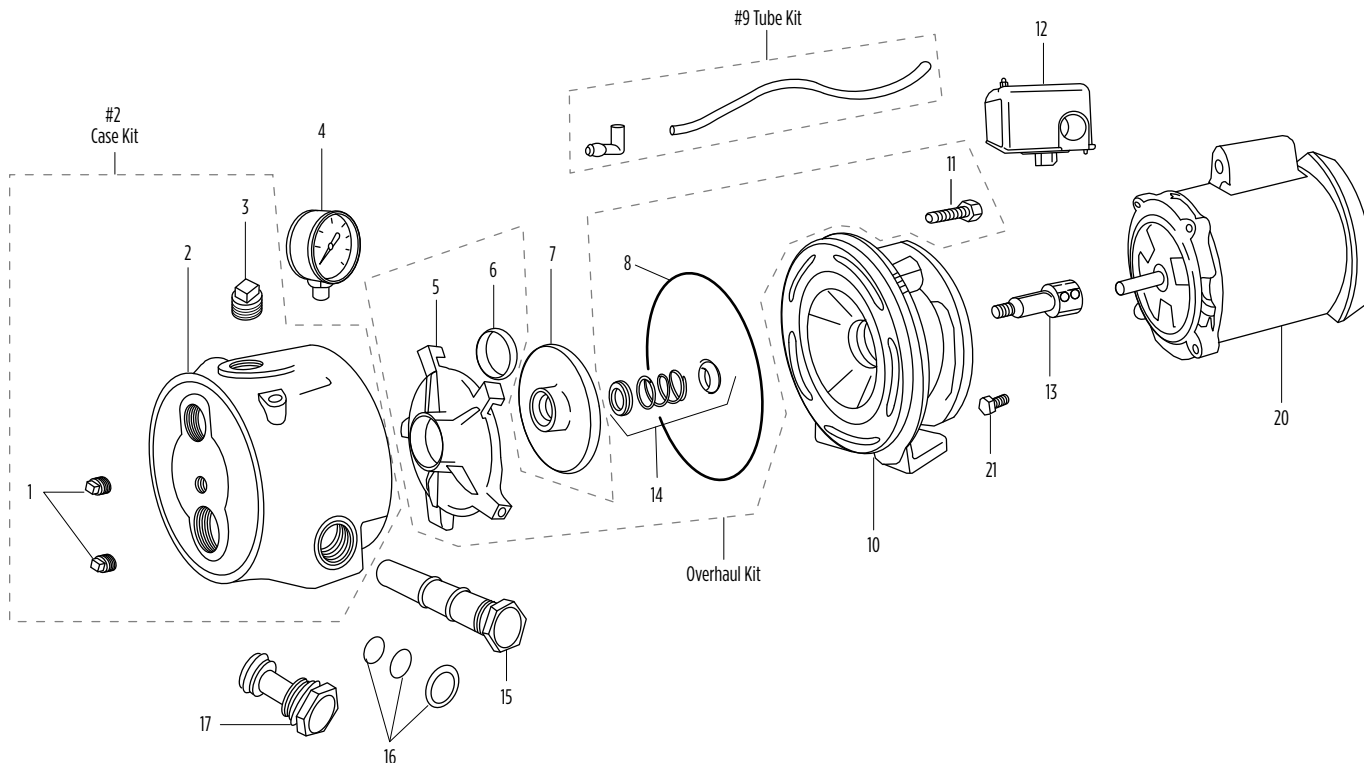


Figure No.	Part No.	Description
1	3100591106PK	Plug 1/4" (6 per kit)
2	03064201R000	Case #4974 w/Plugs and Wear Rings
3	31006307R000	Plug 1" NPT
4	91934018	Pressure Gauge 0-100 lbs
5	06010409R000	Diffuser #4165 for 1/2 hp
	06010805R000	Diffuser #4609 for 3/4 hp
	06010607R000	Diffuser #4163 for 1 hp
6	0808451906PK	Wear Ring Kit (6 per kit)
	24014508	Overhaul Kit for 1/2 hp
	24014607	Overhaul Kit for 3/4 hp
7***	24014904	Overhaul Kit for 1 hp
	305712911	Stainless Steel 1/2 hp Impeller Kit
	305712912	Stainless Steel 3/4 hp Impeller Kit
8	305712913	Stainless Steel 1 hp Impeller Kit
	4702625702PK	Square-Ring Kit (2 per kit)
	31002009R016	1/4" Copper Tube Kit 16-1/2" L w/Elbow
9	31119704K	1/4" Plastic Tube Kit 16-1/2" L w/Elbow
	02125508R000	Bracket Kit #4895 for 1/2 hp w/Fasteners #21
	02125607R000	Bracket Kit #4895 for 3/4 hp w/Fasteners #21
10	02127207R000	Bracket Kit #4895 for 1 hp w/Fasteners #21
	14443303K	*Fastener Kit
	12	PRSW3050
13****	305447022	Shaft Coupling 9/16" Threads w/Set Screws
	305463203	3/4" Shaft Seal
15	18127803R000	Shallow Well Injector #1024 for 1/2 hp
	18127902R000	Shallow Well Injector #1027 for 3/4 hp
	18128009R000	Shallow Well Injector #1028 for 1 hp
16	47012348R000	O-ring Kit for Injectors #15 and Plug #17
17	18129106R000	Deep Well Plug
20	Motor	See Motor Selection Page
Seal Kit	24012700	O-ring and Shaft Seal Kit (includes #14 and #16)

* Fastener Kit #14443303-K includes five each 3/8-16 x 1-3/4" SS hex capscrews #12

** Overhaul kits include #5, #6, #8, #11, #14

*** Impeller Kits #7 for models built prior to 07/96 with a new shaft coupling

**** #13 will be required if not already updated to accommodate 9/16" threaded Impellers.

NON-SUBMERSIBLE PUMPS - CONVERTIBLE WELL JET PUMPS

MODEL C SINGLE-STAGE INJECTOR

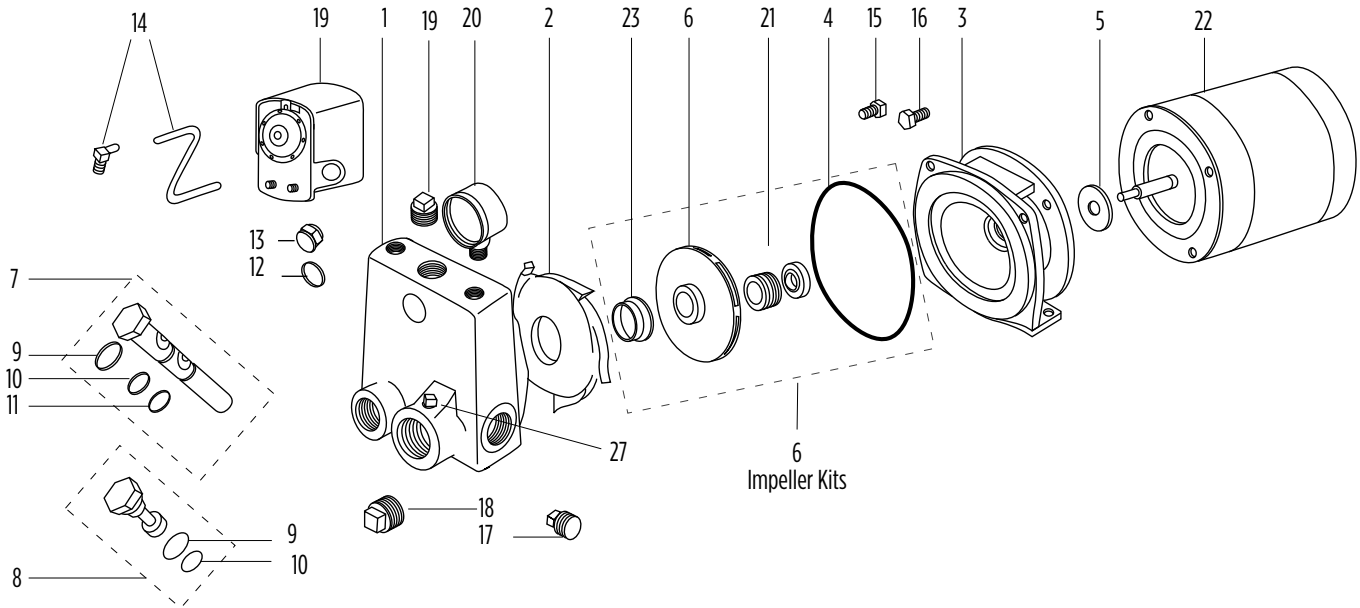


Fig. No.	Part No.	Description
1	03005501K	Case Kit #8167 w/Plugs & Fasteners #15
2	06011100K	Diffuser Kit w/Square Ring #4 F/5C
	06011209K	Diffuser Kit w/Square Ring #4 F/7C
3	02105203K	Bracket Kit w/Fasteners F/5C
	02105302K	Bracket Kit w/Fasteners F/7C
4	1312470602PK	Square Ring Kit (2 per kit)
5	22340301R000	Flinger 1-3/8" x 37/64" x 1/8" NEO
6*	05307418K	Impeller Kit for 5C
	05307517K	Impeller Kit for 7C
7	18170605R000	Injector for 5C w/O-rings
	18170704R000	Injector for 7C w/O-rings
8	18129007R000	Deep Well Plug w/O-ring
9, 10, 11	24017444	O-ring Kit (includes 1 ea. #9,10,11)
12, 13	23128408R000	Locknut and Box Spacer
14	31119704K	Tube Kit 1/4" x 14-1/2" w/Barb
15, 16	14443303K	Fastener Kit
17	31006208R000	3/4" Plug (included w/Case Kit)
18	31006307R000	1" Plug (included w/Case Kit)
19	PRSW3050	Pressure Switch Set 30-50
20	91934018	Pressure Gauge
21	305421907	Mechanical Seal 5/8" (also w/Impeller Kits)
22	90100637R000	Motor 1/2 hp
	90100561R000	Motor 3/4 hp
23	0808451906PK	Wear Ring Kit 2/92 (6 ea. per kit)
27	3100591106PK	Plug Kit 1/4" Galvanized (6 per kit)

*Impeller kit includes impeller, wear ring, mechanical seal, and square ring #4, 6, 21, 23

NON-SUBMERSIBLE PUMPS - CONVERTIBLE WELL JET PUMPS

WJC/JPC SERIES

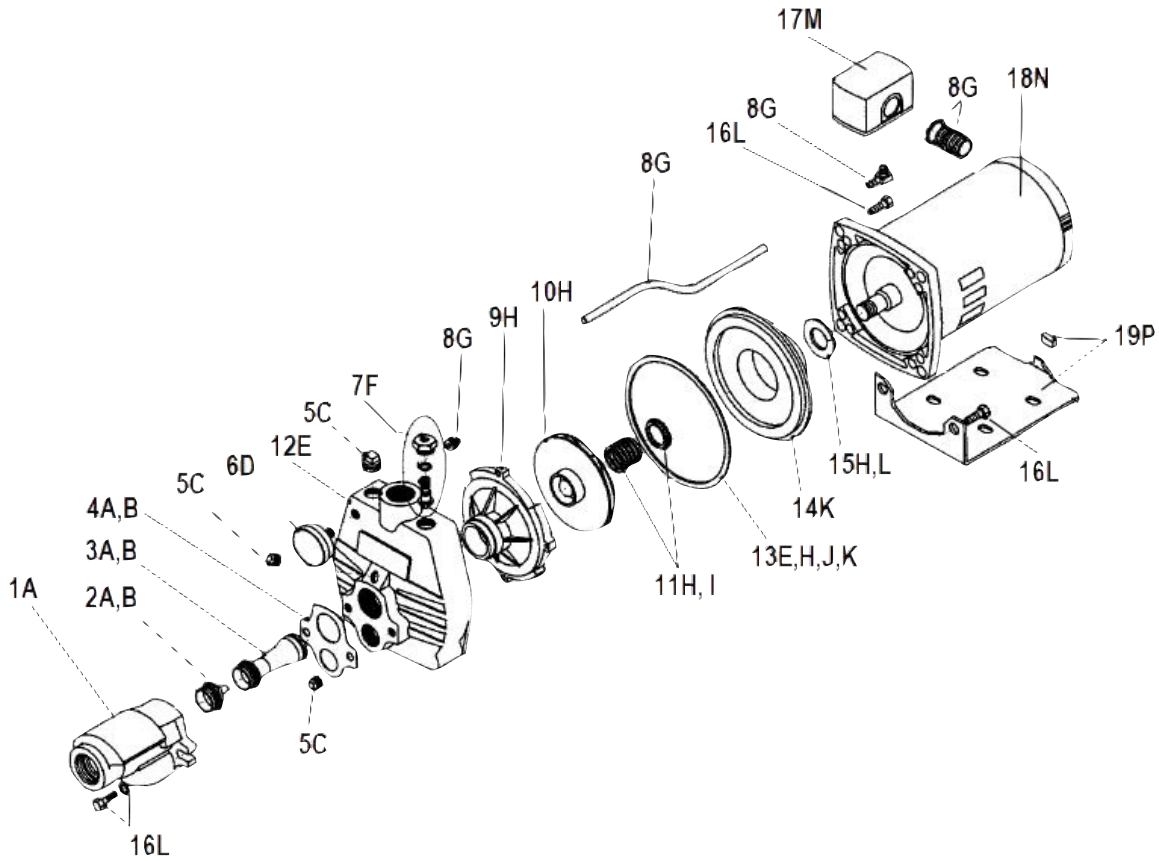


Figure No.	Description	Kit Grouping Identifier*	Repair Part Order Codes By Model No.		
			1/2 HP	3/4 HP	1 HP
1	Injector Body	A	305446946		305446947
2	Nozzle	B	305446948		305446949
3	Venturi	A	305446946		305446947
4	Gasket, Injector	B	305446948		305446949
5	Plugs Kit	C		305446953	
6	Pressure Gauge	D		305446935	
7	Valve Assembly	F		305446951	
8	Switch Attachment Set	G		305446936	
9	Diffuser	H	305446941		305446942
10	Impeller	I		305463176	
11	Mechanical Seal	J		305446950	
12	Casing	E		305446950	
13	Gasket	H	305446941		305446942
14	Seal Plate	K		305446945	
15	Flinger	K		305446943	
16	Fastener Kit**	L	305446941		305446942
17	Pressure Switch	M		305446944	
18	Motor	N	305446955	305446956	305446957
19	Base Assembly	P		305446960	

* Items with like identifiers are sold/packaged together

** Fastener kit (16L) is a complete set of the hardware used to assemble the pump; as a convenience, kits A, B, E, H, K contain the fasteners needed for the reassembly of its components

NON-SUBMERSIBLE PUMPS - SELF-PRIMING CENTRIFUGAL PUMPS

TURF BOSS

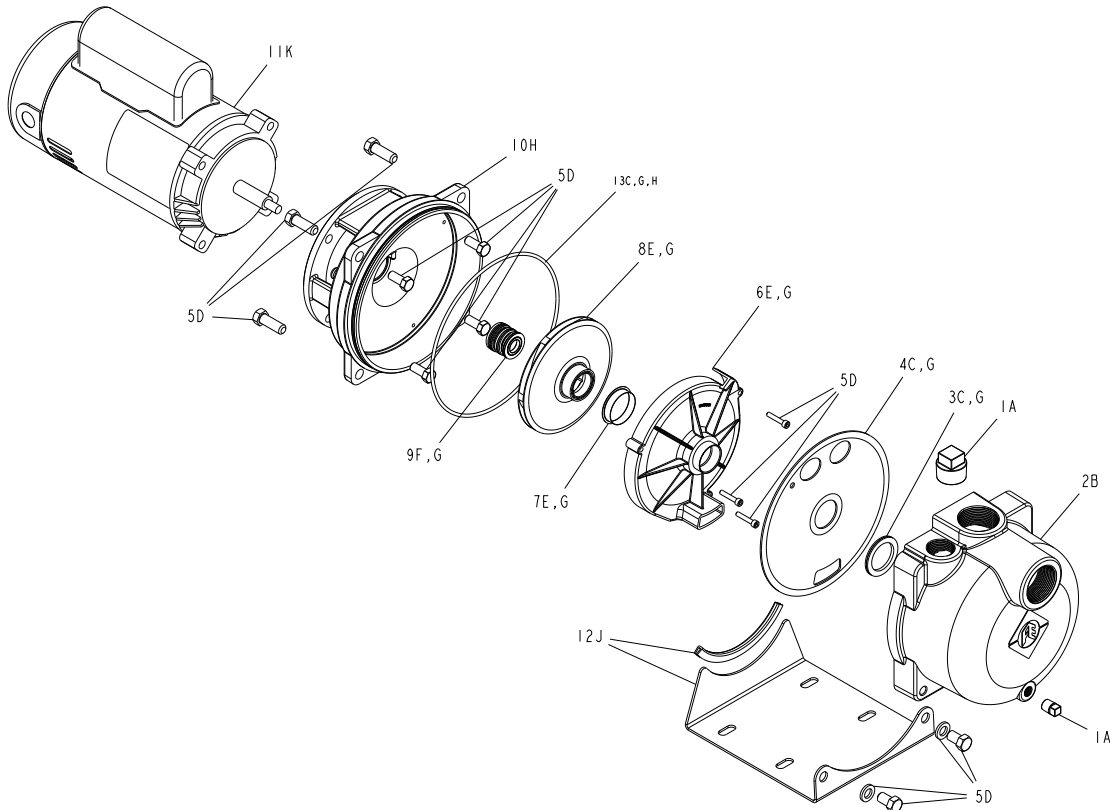


Figure No.	Description	Kit Grouping Identifier*	Repair Part Order Codes By Model No.		
			TB1C1	TB15C1	TB2C1
1	Plug Kits	A		305390901	
2	Pump Case	B		305391901	
3	Grommet	C		305392901	
		G	305396901	305396902	305396903
4	Diaphragm	C		305392901	
		G	305396901	305396902	305396903
5	Fastener Kit*	D		305393901	
		E	305394901	305394902	305394903
6	Diffuser	G	305396901	305396902	305396903
		E	305394901	305394902	305394903
7	Wear Ring	G	305396901	305396902	305396903
		E	305394901	305394902	305394903
8	Impeller, Thermoplastic	E	305394901	305394902	305394903
		G	305396901	305396902	305396903
	Impeller, Stainless Steel	E	305394904	305394905	305394906
		G	305396904	305396905	305396906
9	Mechanical Seal	F		305395901	
		G	305396901	305396902	305396903
10	Motor Bracket	H		305397901	
11	Motor, Single-Phase	I	305398901	305398902	305398903
	Motor, Three-Phase	I	305398904	305398905	305398906
12	Base Assembly	J		305399901	
13	O-Ring	C		305392901	
		G	305396901	305396902	305396903
		G	305396904	305396905	305396906
		H		305397901	

* Items with like identifiers are sold/packaged together

** Fastener kit (5D) is a complete set of the hardware used to assemble the Turf Boss; as a convenience, all other repair kits contain the fasteners needed for the reassembly of its components

NON-SUBMERSIBLE PUMPS - SELF-PRIMING CENTRIFUGAL PUMPS

TURF BOSS

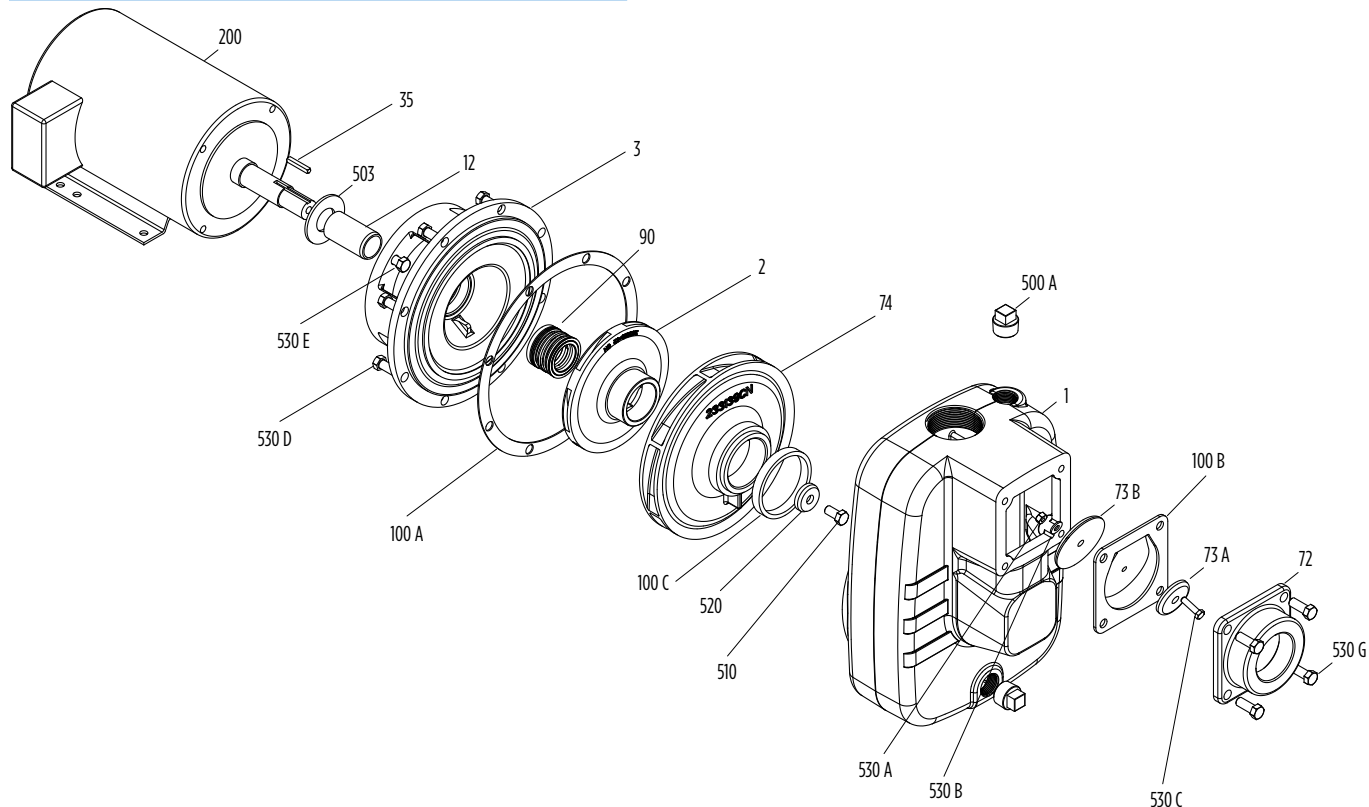


Figure No.	Part Description	Part No.		Materials of Construction
		3 HP	5 HP	
1	Pump Case	305461011		Cast Iron, ASTM-A48 CL30
2	Impeller	305453025	305453026	Cast Iron, ASTM-A48 CL30
3	Motor Adapter	305461012		Cast Iron, ASTM-A48 CL30
12	Mechanical Seal Shaft Sleeve	305458011		416 Stainless Steel
35	Shaft Key	305453028	305451003	301 Stainless Steel
72	Check Valve	305455010	305460018	Cast Iron, ASTM-A48 CL30
73A	Top Weight, Check Valve	305455011		Cast Iron, ASTM-A48 CL30
73B	Bottom Weight, Check Valve	305455012		Cast Iron, ASTM-A48 CL30
74	Diffuser	305460019		Cast Iron, ASTM-A48 CL30
90	Mechanical Shaft Seal	305457011		Carbon/Ceramic x FKM-SS
100A	Case O-ring/Gasket	305461013		Nitrile
100B	Flapper Valve	305454043		Neoprene
100C	Square-Ring, Volute	305463131		Nitrile
200	Motor	See Motor section		Misc.
500	Pipe Plug 3/4" (2 req.)	305463050		CAD-Plated Steel
503	Water Slinger	305453030		Neoprene
510	Impeller Bolt	305461014		416 Stainless Steel
520	Impeller Washer	305448013	305455014	417 Stainless Steel
530A	Nut, Flapper	305463082		300 Stainless Steel
530B	Washer, Flapper	305463084		300 Stainless Steel
530C	Flapper Bolt	305463080		316 Stainless Steel
530D	Hex Bolts, Volute (8 pack)	305463064		Zinc Plated Steel
530E	Hex Bolt, Motor Adapter (4 req.)	305463120	305463121	Zinc Plated Steel
530G	Hex Bolt, Check Valve	305463010		Zinc Plated Steel

* Items with like identifiers are sold/packaged together

** Fastener kit (5D) is a complete set of the hardware used to assemble the Turf Boss; as a convenience, all other repair kits contain the fasteners needed for the reassembly of its components

NON-SUBMERSIBLE PUMPS - SELF-PRIMING CENTRIFUGAL PUMPS

MODELS HJM1/HJM2

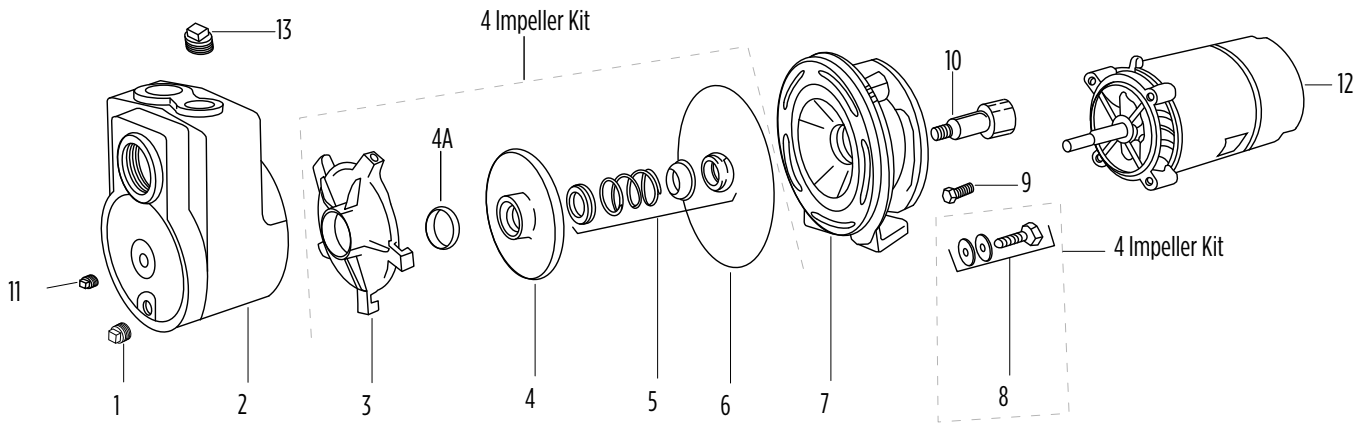


Figure No.	Part No.	Description	
1	31-0061-17	Plug 1/2" NPT (included w/Case #2)	
2	03-0387-00-K	Case Kit #54360 w/Plugs & Wear Ring 1.5" T for 1 hp Full Rate & 1.5 hp Up-Rate	
	03-0388-09-K	Case Kit #54360 w/Plugs & Wear Ring 2" T For 2 hp Full Rate & 2.5 hp Up-Rate	
	03-0386-01-K	Case Kit #54360 w/Plugs & Wear Ring 2" T For 1.5 hp Full Rate & 2 hp Up-Rate	
3*	Diffuser	See #4 Impeller Kit	
4*	24-0173-03	Impeller Repair Kit for 1HJM1, Brz. Imp. #2794 @ 5" D - 9-1/6" Thread	
	24-0173-11	Impeller Repair Kit for 15HJM1, Brz. Imp. #2794 @ 5-17/32" D, 9-1/6" Thread	
	24-0173-29	Impeller Repair Kit for 2HJM1, Brz. Imp. #2794 @ 5-13/16" D, 9-1/6" Thread	
7/16" THREAD	05-0776-15-RKIT	Impeller Repair Kit SHJM1, 3/4 hp Full Rate & 1 hp Unity Plastic #2794 @ 4.75" D, 7/16" Thread	
	05-2738-00-RKIT	Impeller Repair Kit 1HJM1&2, 1 hp Full Rate 1.5 hp Unity Plastic #2794 @ 5" D, 7/16" Thread	
	05-2727-03-RKIT	Impeller Repair Kit HJM1, 1.5 hp Full Rate & 2 hp Unity Plastic #2794 @ 5.38" D, 7/16" Thread	
	05-3267-07-RKIT	Impeller Repair Kit HJM1, Imp. for 2 hp Full Rate & 2.5 hp Unity Brz. #4607 @ 5-13/16" D, 7/16" Thread	
4A	08-0845-19-06PK	Wear Ring Kit (6 ea. per kit)	
5	10-1203-01	Mechanical Seal 3/4" for HJM1	
	10-1202-02	Mechanical Seal 5/8" for HJM2	
6	47-0262-57-02PK	Square Ring Kit 7" x 3/32" x 0.212" NTRL. (2 ea. per kit)	
	02-1255-08-R	Bracket for 1 hp Unity w/Fasteners 4-13/16" F #4895	
	02-1256-07-R	Bracket for 1 hp Full Rate & 1.5 hp Unity w/Fasteners 5-1/16" F #4895	
	02-1272-07-R	Bracket for 1.5 hp Full Rate & 2 & 2.5 hp Unity w/Fasteners 5-7/16" F #4895	
	02-1364-06-R	Bracket For 1 hp Unity HJM2 4-13/16" F #1113	
	02-1362-08-R	Bracket for 1 hp Full Rate & 1.5 hp Unity HJM2 5-1/16" F #1113	
7	02-1363-07-R	Bracket for 1.5 & 2HJM2 Full Rate & 2 & 2.5 hp Unity w/Fasteners 5-7/16" F #1113	
	8, 9	14-4433-03-K	Fastener Kit**
	10	07-3610-09-R001	Coupling w/Set Screws 9/16" Threaded HJM1 Motor Shaft
11	31-0059-11-06PK	Plug Kit 1/4" (6 ea. per kit)	
12	Motor	See Motor Selection Page	
13	31-0063-07-R	Plug 1" NPT Square Head Galvanized (1 ea. included w/Case #2)	

* Impeller kits include impeller, diffuser, mechanical seal, wear ring, and O-ring #3, 4, 4A, 5, 6, 8

** Product is obsolete; limited number of parts are available

NON-SUBMERSIBLE PUMPS - SELF-PRIMING CENTRIFUGAL PUMPS

WSP/LSP SERIES

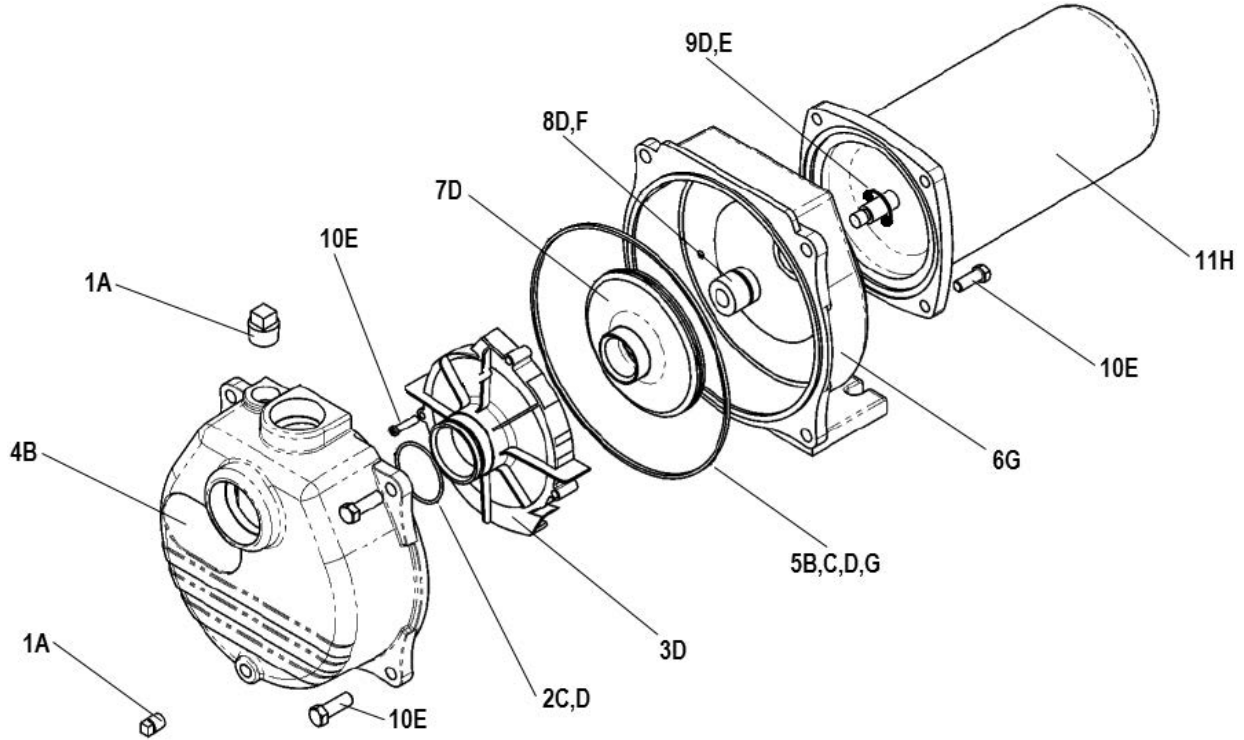


Figure No.	Description	Kit Grouping Identifier*	Repair Part Order Codes By Model No.				
			3/4 HP	1 HP	1-1/2 HP	2 HP	2 HP (High Pressure)
1	Plugs Kit	A	305446953				
2	O-ring	C	305446909				
3	Diffuser	D	305446902	305446903	305446904	305446905	305446906
4	Casing	B	305446901				
5	Gaskets	C	305446909				
		D	305446902	305446903	305446904	305446905	305446906
6	Adapter	G	305446908				
7	Impeller	D	305446902	305446903	305446904	305446905	305446906
8	Mechanical Seal	F	305463176			305463278	
9	Flinger	D	305446902	305446903	305446904	305446905	305446906
10	Fastener Kit**	E	305446907				
11	Motor	H	305446956	305446957	305446958	305446959	

* Items with like identifiers are sold/packaged together

** Fastener kit (10E) is a complete set of the hardware used to assemble the pump; as a convenience, kits B, D & G contain the fasteners needed for the reassembly of its components

NON-SUBMERSIBLE PUMPS - BOOSTER PUMPS

MH SERIES: 15 GPM

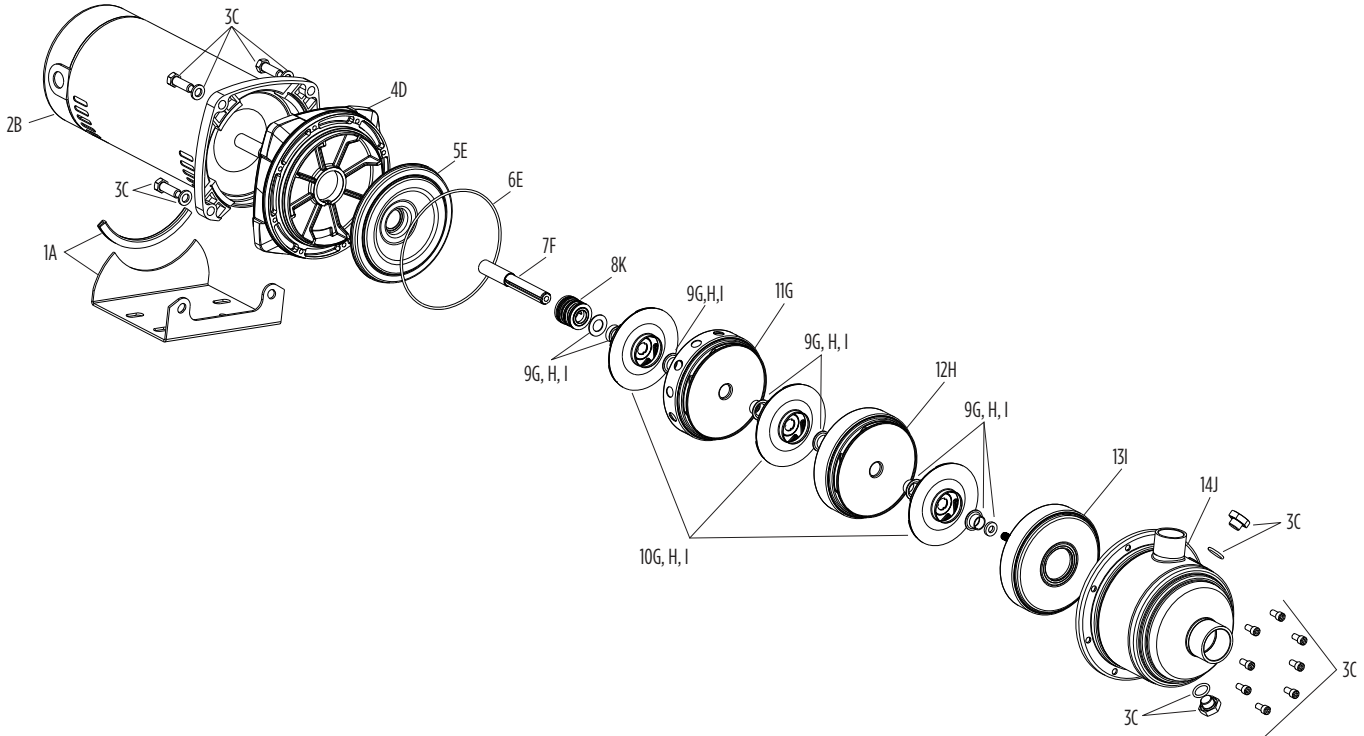


Figure No.	Description	Kit Grouping Identifier*	Repair Part Order Codes By Model No.				
			15MH05S2	15MH07S3	15MH1S4	15MH1S5	15MH2S6
			2-Stage	3-Stage	4-Stage	5-Stage	6-Stage
1	Base	A	305373901				
2	Single-Phase Motor	B	305374901	305374902	305374904	305374905	305374910
	Three-Phase Motor	B	305374954	305374955	305374956	305374957	305374958
3	Fastener Kit	C	Needed fasteners are supplied with kits as required.				
4	Adaptor Flange	D	305408907				
5	Seal Plate	E	305408906				
6	O-ring	K	305408906				
7	Shaft	F	305421906	305408909	305408910	305408911	
8	Mechanical Seal	K	305421906				
9	Hydraulic Hardware	G, H, I	See Stage Assembly Kits				
10	Impeller	G, H, I	See Stage Assembly Kits				
11	Discharge Stage Assembly	G	305408916	305408913			
12	Intermediate Stage Assembly	H	305408918				
13	Suction Stage Assembly	I	305408921				
14	Pump Case	J	305408901	305408902	305408903	305408904	

* Discharge stage assembly on 2-stage pumps only contain diffuser and necessary hardware

** 2- and 3-stage pumps have (1) intermediate stage assembly; 4-stage pumps have (2) intermediate stage assembly; 5-stage pumps have (3) intermediate stage assembly; 6-stage pumps have (4) intermediate stage assembly

*** All pumps have one suction stage assembly

NON-SUBMERSIBLE PUMPS - BOOSTER PUMPS

MH SERIES: 30/45 GPM

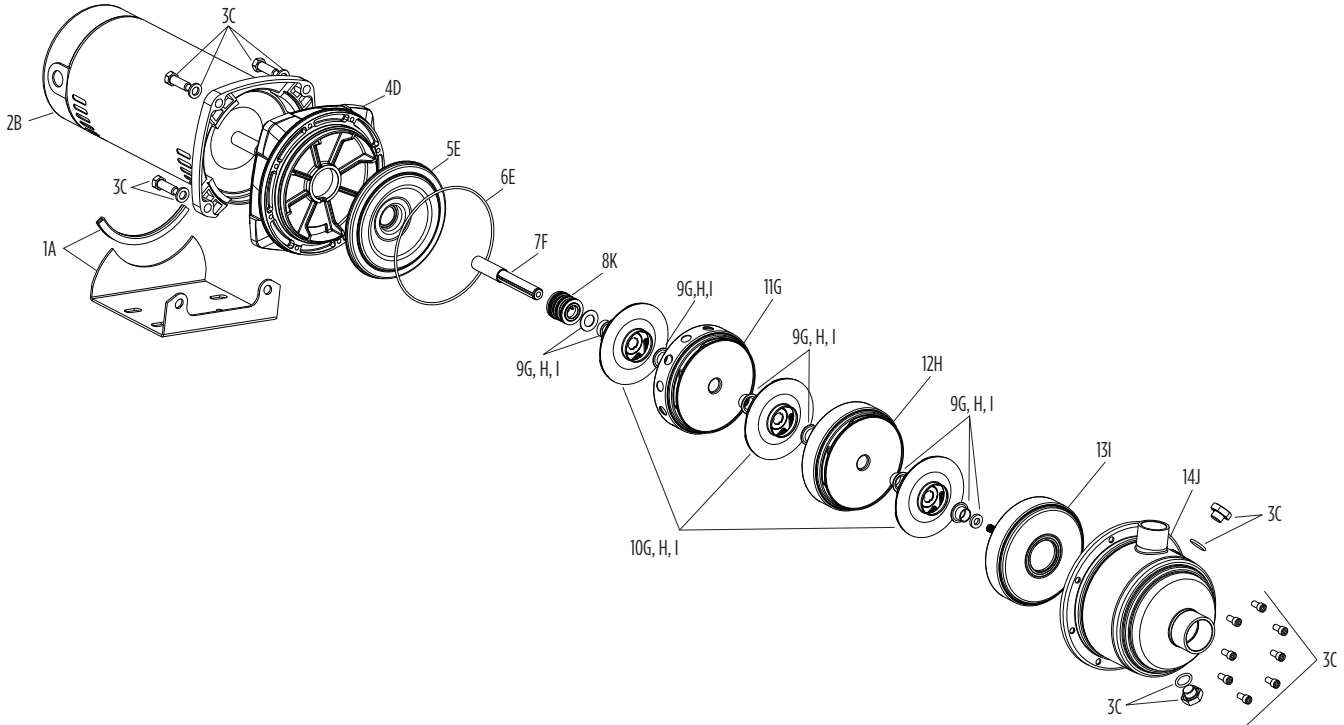


Figure No.	Description	Kit Grouping Identifier*	Repair Part Order Codes By Model No.					
			30MH07S2	30MH1S3	30MH15S4	30MH2S5	45MH15S2	45MH2S3
			2-Stage	3-Stage	4-Stage	5-Stage	2-Stage	3-Stage
1	Base	A	305373901				305373901	
2	Single-Phase Motor	B	305374902	305374907	305374909	305374911	305374905	305374911
	Three-Phase Motor	B	305374955	305374956	305374957	305374958	305374957	305374958
3	Fastener Kit	C	Needed fasteners are supplied with kits as required					
4	Adaptor Flange	D	305408907				305408907	
5	Seal Plate	E	305408906				305408906	
6	O-ring	E	305408906				305408906	
7	Shaft	F	305408908	305408909	305408910	305408912		
8	Mechanical Seal	K	305421906				305421906	
9	Hydraulic Hardware	G, H, I	See Stage Assembly Kits				See Stage Assembly Kits	
10	Impeller	G, H, I	See Stage Assembly Kits				See Stage Assembly Kits	
11	Discharge Stage Assembly	G	305408916	305408914			305408917	305408915
12	Intermediate Stage Assembly	H	305408919				305408920	
13	Suction Stage Assembly	I	305408922				305408923	
14	Pump Case	J	305408901	305408902	305408903	305408905		

NOTE: 2- and 3-stage pumps have (1) intermediate stage assembly; 4-stage pumps have (2) intermediate stage assembly; 5-stage pumps have (3) intermediate stage assembly; all pumps have (1) suction stage assembly
 * Discharge stage assembly on 2-stage pumps only contain diffuser and necessary hardware

NON-SUBMERSIBLE PUMPS - BOOSTER PUMPS

BT4/WHB SERIES

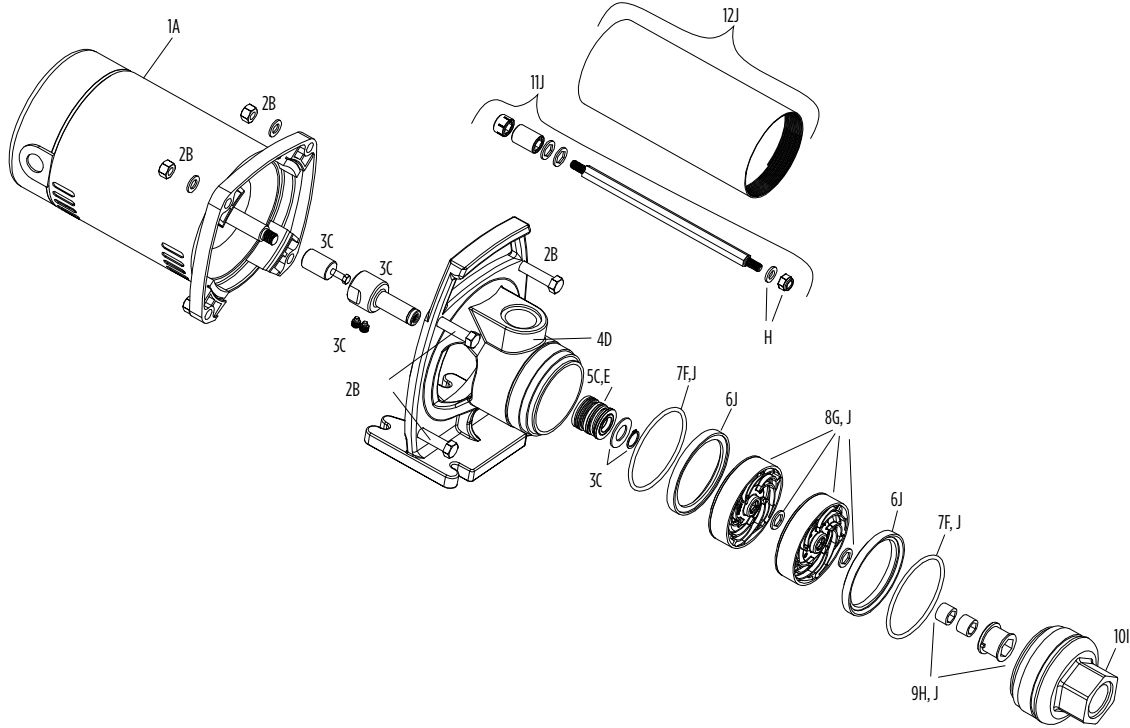
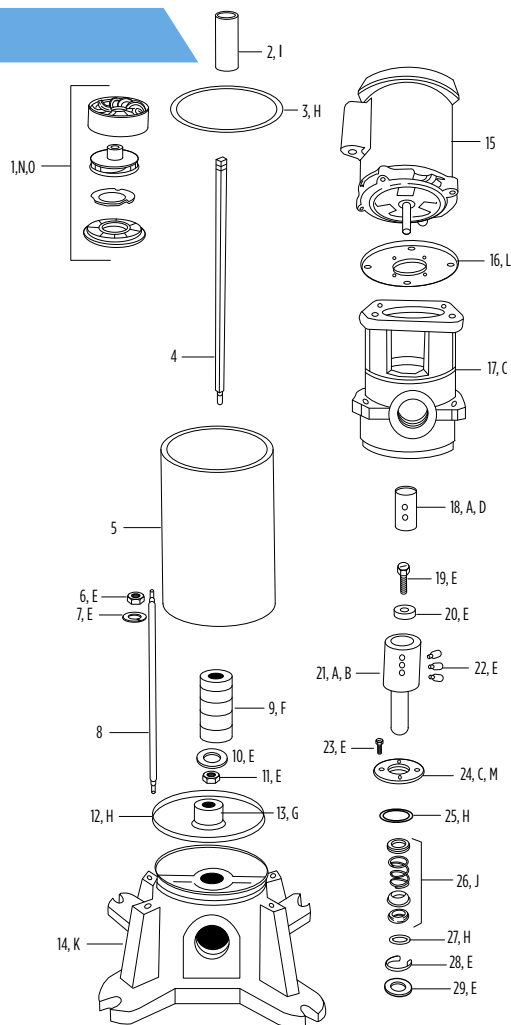


Figure No.	Description	Construction	Kit Grouping Identifier*	Repair Part Order Codes by Motor Size							
				1/3 HP (1.95SF)	1/2 HP (1.90SF)	3/4 HP (1.65SF)	1.0 HP (1.65SF)	1.5 HP (1.47SF)	2.0 HP (1.25SF)	3.0 HP (1.15SF)	
1	Single-Phase Motor ²	-	A	305374908	305374903	305374906	305374907	305374909	305374911	305374912	
	Three-Phase Motor ²	-	A		305374954	305374955	305374956	305374957	305374958	305374959	
2	Fastener Kit ³	-	B				305421901				
3	Coupling Kit ³	SS	C				305421902				
	Coupling Kit ³	Brass	C				305421903				
3	Coupling Kit ^{1,5}	SS	C				305421001				
4	Pump/Motor Bracket ³	SS	D				305421904				
	Pump/Motor Bracket ³	Cast Iron	D				305421905				
4	Pump/Motor Bracket ⁴	SS	D				305421002				
5	Mechanical Seal ³	FKM	E				305421906				
	Mechanical Seal ³	Nitrile	E				305421906				
5	Mechanical Seal ⁴	FKM	E				305421003				
6	Suction/Discharge Spacers	-	-	Not available as separate components; included in the hydraulic overhaul kit only							
7	O-ring Set	-	F				305421908				
8	Stage Assembly - 5 gpm	-	G	305404911							
	Stage Assembly - 7 gpm	-		305404912							
	Stage Assembly - 10 gpm	-		305404913							
	Stage Assembly - 15 gpm	-		305404914							
	Stage Assembly - 20 gpm	-		305404915							
	Stage Assembly - 25 gpm	-		305404916							
9	Top Bearing	-	H				305421909				
10	Discharge Head	-	I				305421910				
11	Pump Shaft/Hardware	-	-	Not available as separate components; included in the hydraulic overhaul kit only							
12	Pump Shell	-	-	Not available as separate components; included in the hydraulic overhaul kit only							
13	Hydraulic Overhaul Kit - 5 gpm ²	-	J	305422901	305422902	305422903	305422904				
	Hydraulic Overhaul Kit - 7 gpm ²	-		305422001	305422905	305422906	305422907	305422908			
	Hydraulic Overhaul Kit - 10 gpm ²	-		305422002	305422909	305422910	305422911	305422912	305422913		
	Hydraulic Overhaul Kit - 15 gpm ²	-			305422003	305422914	305422915	305422916	305422917		
	Hydraulic Overhaul Kit - 20 gpm ²	-			304422004	305422918	305422919	305422920	305422921	305422922	
	Hydraulic Overhaul Kit - 25 gpm ²	-				305422005	305422923	305422924	305422925	305422926	
	Hydraulic Overhaul Kit - 5 gpm ²	-			7	9	12	15			
	Hydraulic Overhaul Kit - 7 gpm ²	-			6	8	10	14	19		
	Hydraulic Overhaul Kit - 10 gpm ²	-			5	7	8	11	15	18	
	Hydraulic Overhaul Kit - 15 gpm ²	-				5	6	8	12	15	
	Hydraulic Overhaul Kit - 20 gpm ²	-				4	5	7	10	12	15
	Hydraulic Overhaul Kit - 25 gpm ²	-					4	6	8	10	13

* Items with like identifiers are sold/packaged together
 (1) Coupling kit ships with mechanical seal
 (2) Hydraulic overhaul kit is the combination of figure numbers 6, 7, 8, 9, 11, and 12
 (3) Square flange pump mounting
 (4) 56C pump end mounting

NON-SUBMERSIBLE PUMPS - BOOSTER PUMPS

V6 SERIES: 50-75 GPM



Kit	Kit Contents By Figure No.	Component Description	Kit Order Code	Kit Description
A	18	Shaft Reducer	305704901	Motor Coupling Kit 56C/140TC Kit
	21	Shaft Coupling	305704901	Motor Coupling Kit 56C/140TC Kit
B	18	Shaft Reducer	305704902	Motor Coupling Kit 56C/140TC Kit
	21	Shaft Coupling	305704902	Motor Coupling Kit 56C/140TC Kit
C	17	Pump/Motor Bracket	305704903	Motor Bracket Kit
D	18	Shaft Reducer	305704904	Motor Sleeve Kit
E	6, 7, 10, 19, 20, 22, 23, 28, 29	Fastener Kit*	305704905	Fastener Kit
F	9	Ceramic Hub Sleeve	305704906	Ceramic Sleeve Kit (5 pieces per kit)
G	13	Rubber Bearing	305697901	Bearing Kit
H	12, 25, 27	O-ring Kit*	305704907	O-ring Kit
I	2	Shaft Spacer	08277204R000	Spacer Kit (50 & 75 GPM)
J	26	1.25 Carbon/Ceramic Mechanical Seal	106196104K	Mechanical Seal Kit
K	14	Cast Base	305704908	Base Kit
L	16	Motor Mounting Adapter	305704909	Motor Adapter Kit
M	24	Seal Plate	305704910	Seal Plate Kit
N	1	Hydraulic Stage Assembly - 75 GPM	104112901K	Hydraulic Stage Assembly - 75 GPM
O	1	Hydraulic Stage Assembly - 50 GPM	104111901K	Hydraulic Stage Assembly - 50 GPM
Not Shown	15	Motor	See motor selection	Motor
Not Shown	8	Tie Rods	Consult customer service for size and availability	Tie Rods
Not Shown	4	Shaft	Consult customer service for size and availability	Shaft
Not Shown	5	Shell	Consult customer service for size and availability	Shell

* Fastener kit (E, 305704905) and O-ring kit (H, 305704907) are complete sets of the hardware/O-rings used for the assembly of the VB6 booster; as a convenience, all other repair kits contain the fasteners and/or O-ring as needed for the reassembly of its components

NON-SUBMERSIBLE PUMPS - END SUCTION CENTRIFUGAL PUMPS

DDS SERIES

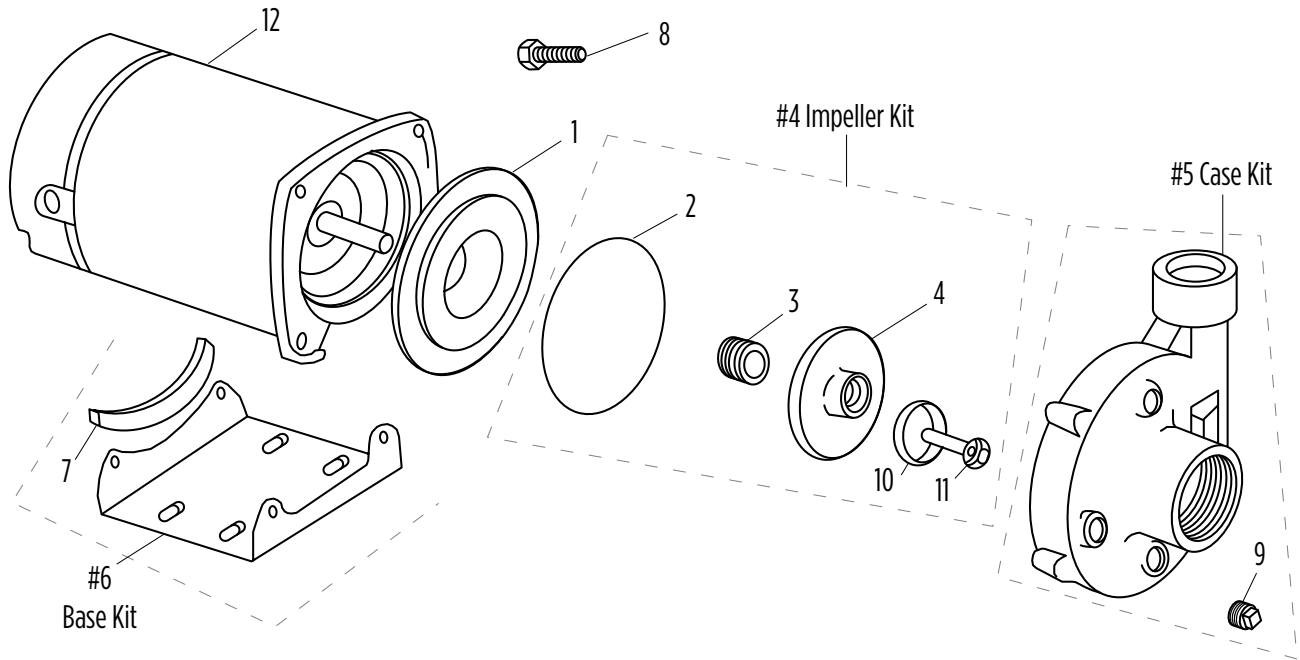


Figure No.	Part No. C.I.	Part No. SS	Description
1	11149804R000	-	Seal Plate, Cast Iron #11293 for DDS
	-	11006301R000	Seal Plate, Stainless Steel for DDS
2	4702585302PK	4702585302PK	Square Ring Kit 6" x 1/8" X 1/8" (2 per kit)
3	-	305421906	Mechanical Seal 5/8" FKM for DDS
4**	05388608K	05388616K	1/2 hp Impeller Kit, 4.605" Diameter #11375
	05388707K	05388715K	3/4 hp Impeller Kit, 5.0" Diameter #11376
	05388806K	05388814K	1 hp Impeller Kit, 5.25" Diameter #11377
	05388905K	05388913K	1.5 hp Impeller Kit, 5.315" Diameter #11378
4***	05964605R000	05964605R000	1/2 hp Impeller, 4.605" Diameter #11375
	05965000R000	05965000R000	3/4 hp Impeller, 5.0" Diameter #11376
	05965250R000	05965250R000	1 hp Impeller, 5.25" Diameter #11377
	05965315R000	05965315R000	1.5 hp Impeller, 5.315" Diameter #11378
	05965650R000	05965650R000	2 hp Impeller, 5.65" Diameter #11338
5	03085008R000	03085017R000	Case Assembly Kit #11337 w/Plugs #9 for 1/2-1.5 hp
	03085107R000	-	Case Assembly Kit #11338 w/Plugs #9 for 2 hp
	03085206R000	-	Case Assembly Kit #11338 w/Plugs #9 for 1/2-1.5 hp
6, 7	305373901	305373901	Base Assembly Kit w/Motor Pad #7 for 48 Frame Motor
	12106003K	12106003K	Base Assembly Kit w/Motor Pad #7 for 56 Frame Motor
8, 11	14443402K	14443402K	Fastener Kit*
9	3100591106PK	3100591106PK	Plug Kit 1/4" Galvanized (6 per kit)
10	0808451906PK	0808451906PK	Wear Ring Kit (6 per kit) for 1/2-1.5 hp
11	14435309	14435309	Capscrew 1/4-20 x 1-3/16" LG Hex/Washer for 2 hp Three-Phase
	14435408	14435408	Capscrew 1/4-20 x 7/8" LG Hex/Washer for 1/2-1.5 hp Three-Phase
12	Motor	Motor	See Motor Selection Page

*Fastener Kit #14443402-K includes four each 3/8-16 x 1-1/8" plated hex capscrews #8, one each 1/4-20 x 7/8" hex wash-capscrews for 1/2-1.5 hp three-phase #11, and one each 1/4-20 x 1-3/16" hex wash-capscrews for 2 hp three-phase #11

**All impeller kits include impeller, square ring, mechanical seal, wear ring, and fasteners #2, 3, 4, 10, 11

***Impellers for units with three-phase motors

NON-SUBMERSIBLE PUMPS - END SUCTION CENTRIFUGAL PUMPS

WCE/CP/FCE/JCE/SCE SERIES

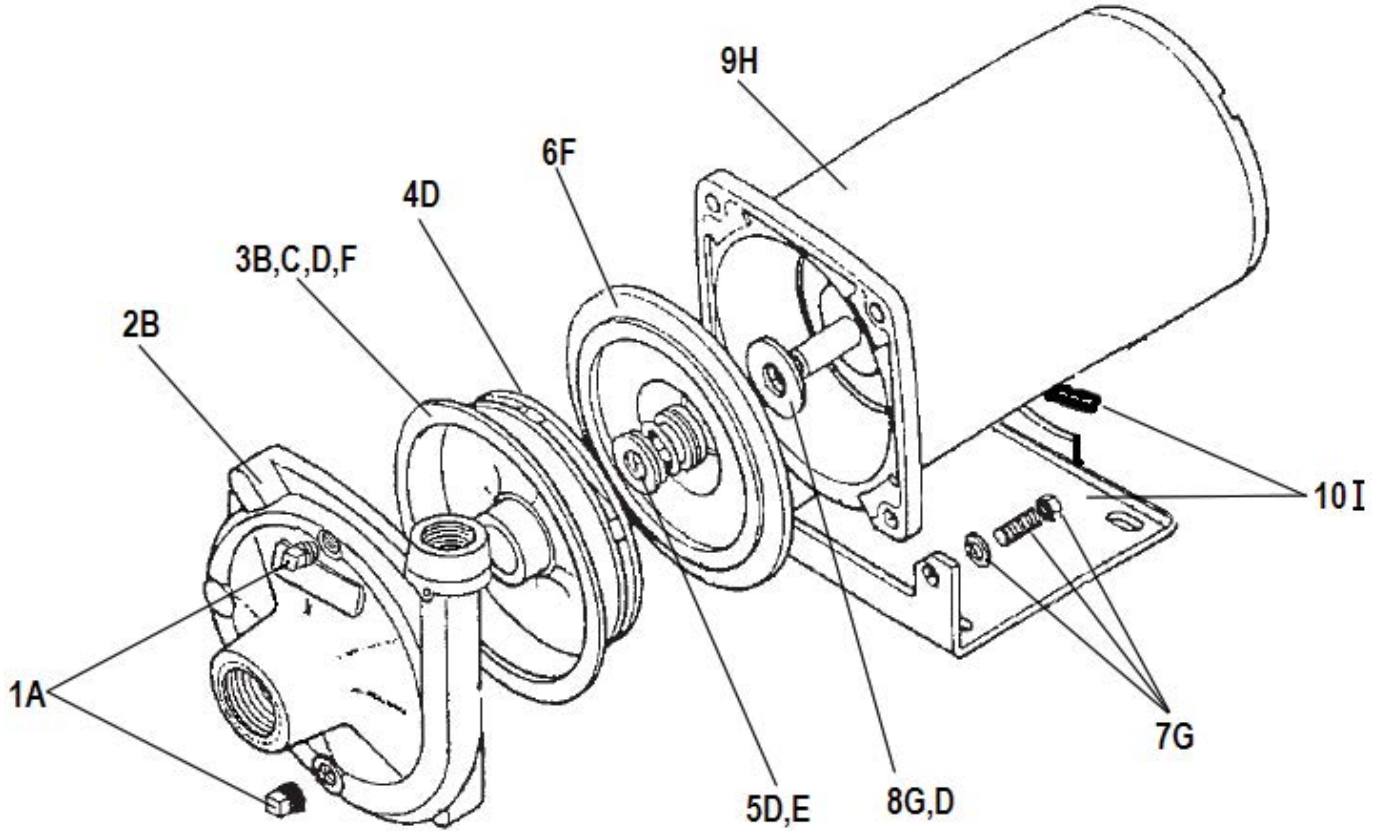


Figure No.	Description	Kit Grouping Identifier*	Repair Part Order Codes By Model No.				
			1/2 HP	3/4 HP	1 HP	1-1/2 HP	2 HP
1	Plugs Kit	A	305446953				
2	Casing	B	305446922				305446923
3	Gasket	C	305446932				305446933
		F	305446929				305446930
4	Impeller	D	305446924	305446925	305446926	305446927	305446928
5	Mechanical seal	E	305421907				
6	Seal Plate	F	305446929				305446930
7	Fastener Kit**	G	305446931				
8	Flinger	D	305446924	305446925	305446926	305446927	305446928
9	Motor	H	305446955	305446956	305446957	305446958	305446959
10	Base Assembly	I	305446960				

* Items with like identifiers are sold/packaged together

** Fastener kits (7G) is a complete set of the hardware used to assemble the pump; as a convenience, kit B, D & F contain the fasteners needed for the reassembly of its components

NON-SUBMERSIBLE PUMPS - FLOODED SUCTION CENTRIFUGAL PUMPS

A SERIES

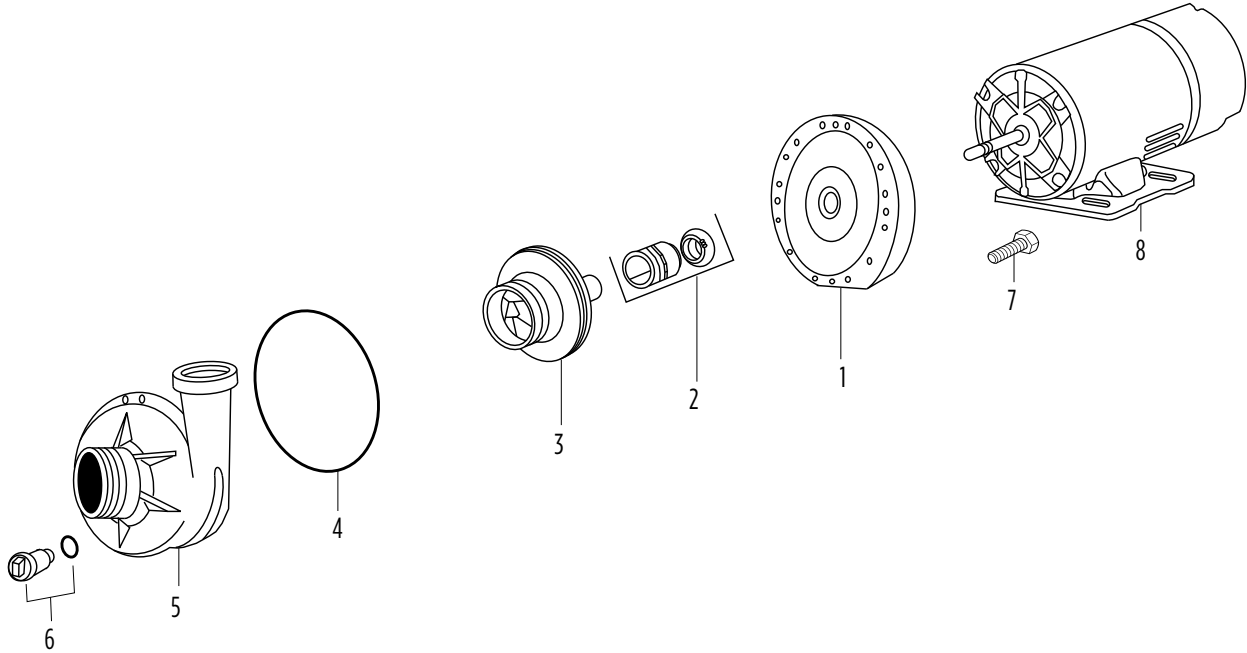


Figure No.	Part No.	Description
1	02168409R000	A-Series Bracket
2	305463176	Kit, 0.625" Mechanical Shaft Seal
3	05150015R000	S2A S2AT Impeller
	05150015K	S2A S2AT Impeller Kit (includes #2 & #4)
	05200025R000	S3A S3AT Impeller
	05200025K	S3A S3AT Impeller Kit (includes #2 & #4)
	05200020R000	S35A S35AT Impeller
	05200020K	S35A S35AT Impeller Kit (includes #2 & #4)
	05300030R000	S4A S4AT Impeller
	05300030K	S4A S4AT Impeller Kit (includes #2 & #4)
	05036504R000	S45A S45AT Impeller
	05036504K	S45A S45AT Impeller Kit (includes #2 & #4)
4	47025853R000	Square Ring Kit (10 per kit)
5	03087203R000	SA Case
	03087203K	SA Case (includes #1, #4, #6, & #7)
	03088903R000	S45A Case
	03088903K	S45A Case (includes #1, #4, #6, & #7)
6	3116090602PK	1/4" Plug w/O-ring
7	14437902R000	Screws 10-12 x 1" Phil Pan HD SS
8	-	See Motor Replacement List

NON-SUBMERSIBLE PUMPS - FLOODED SUCTION CENTRIFUGAL PUMPS

J/JCM/S/SKM SERIES

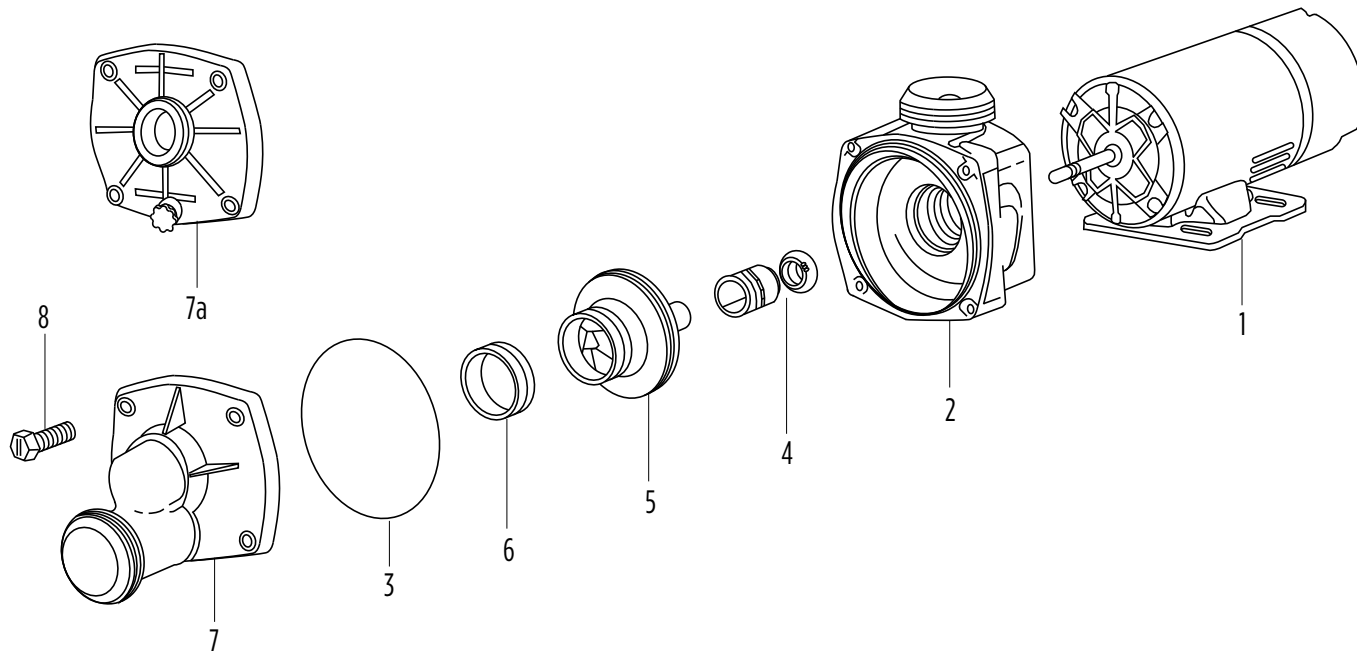


Figure No.	Part No.	Description
1	-	See Motor Replacement List
2	02130805R000	J Bracket 3-10 Buttress Thread (includes #8)
	02130805RKIT	J Bracket Repair Kit 3-10 Buttress (Includes #3, #7, & #8)
	02130904R000	JCM SKM Bracket 2-1/2-8 Buttress Thread (includes #8)
	02161305R000	JCM Bracket Repair Kit 2-1/2 Buttress (includes #3, #7, & #8)
	02161305RKIT	SKM Bracket Repair Kit 2-1/2 Buttress (includes #3, #7A, #8, & #7B)
3	47035746R000	O-ring Kit (10 per kit)
4	305463176	Kit, 0.625" Mechanical Shaft Seal
5	05386206R000	S7J S7K Impeller
	05386206RKIT	S7J S7K Impeller Repair Kit (includes #3, #4, & #6)
	05386305R000	S1J S1K Impeller
	05386305RKIT	S1J S1K Impeller Repair Kit (includes #3, #4, & #6)
	05386404R000	S15J S15K Impeller
	05386404RKIT	S15J S15K Impeller Repair Kit (includes #3, #4, & #6)
	05386503R000	S2J S2K Impeller
05386503RKIT	S2J S2K Impeller Repair Kit (includes #3, #4, & #6)	
6	10146207R000	Eye Seal Ring (5 per kit)
7	03065109R000	J Suction Flange 3-10 Buttress Thread (includes #3 & #8)
	03085404R000	JCM Suction Flange 2-1/2 Buttress Thread (includes #3 & #8)
7a	11151701R000	SKM Suction Flange 2-1/2 Buttress Thread (includes #3, #8, & #7B)
8	3116090602PK	SKM 1/4" Plug w/O-ring (2 per kit)
	14126635R000	1/4-20 x 3/4" (qty. 4)*
	14433908R000	SJ SJCM SKM Fastener Kit (qty. 4)

* Pre 2/1/94 fasteners are only used if reusing a pre 2/1/94 bracket; not required if ordering a bracket kit

ACCESSORIES - DEEP WELL INJECTOR ASSEMBLY

DEEP WELL INJECTOR 147E

Figure No.	Part No.	Code	ID	Description
1	18119107R000	-	-	Injector Body, Cast Iron 147E
2	18041814R009	9	0.234	Nozzle
	18041814R010	10	0.25	
	18041814R011	11	0.265	
3	18041905R014	14	0.313	Venturi
	18041905R015	15	0.328	
	18041905R016	16	0.344	
	18041905R017	17	0.359	
	18041905R018	18	0.375	
	18041905R019	19	0.39	
	18041905R020	20	0.406	
	18041905R023	23	0.422	
	18041905R024	24	0.469	
	18041905R025	25	0.484	
4	91987297R000	-	-	Foot Valve 1.25" x 1" Bronze

