

# INSTALLATION INSTRUCTIONS



## Fitzgerald® Console Lavatory Kit Model D21410

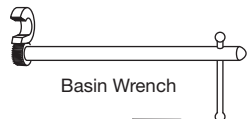
## Oak Hill™ Console Lavatory Kit Model D21411

Thank you for selecting DXV. To ensure this product is installed properly, please read these instructions carefully before you begin. (Certain installations may require professional help.) Also be sure your installation conforms to local codes.

**▲ CAUTION: PRODUCT IS FRAGILE. TO AVOID BREAKAGE AND POSSIBLE INJURY HANDLE WITH CARE!**  
NOTE: Pictures may not exactly define contour of china and components.

### RECOMMENDED TOOLS AND MATERIALS

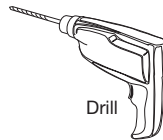
Most of the procedures require the use of common tools and materials, which are available from hardware and plumbing supply stores. It is essential that the tools and materials be on hand before work is begun.



Basin Wrench



Regular Screwdriver



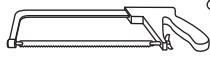
Drill



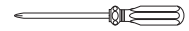
Level



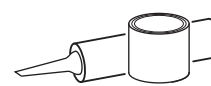
Tape Measure



Hacksaw



Phillips Screwdriver



Plumbers' Putty or  
Caulking



Saber Saw



Pipe Wrench



Adjustable Wrench



Channel Lock



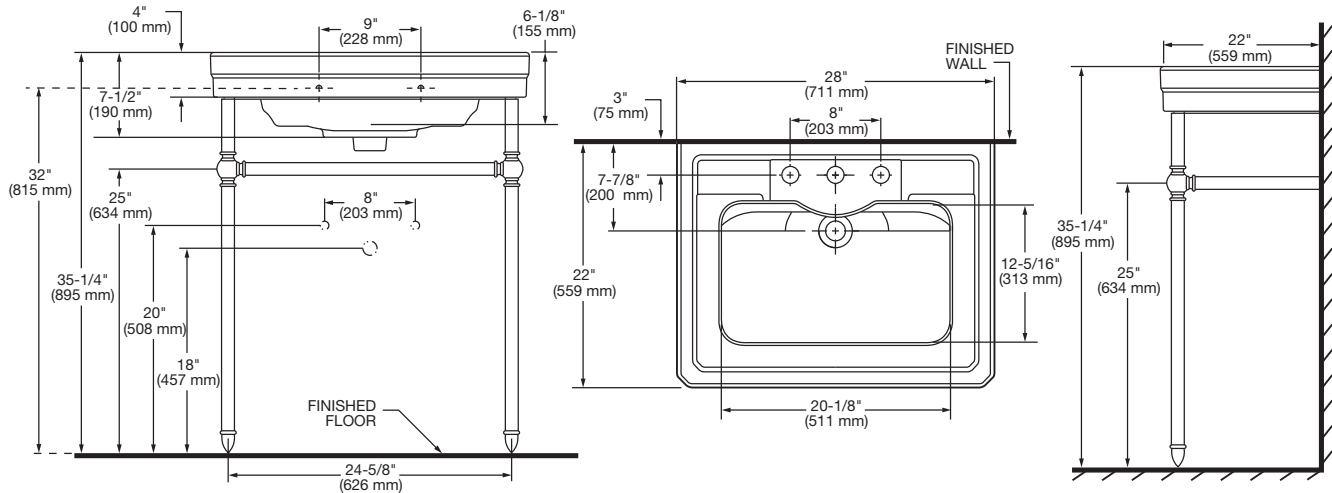
Putty Knife



Tubing Cutter

### ROUGHING-IN DIMENSIONS: FITZGERALD CONSOLE

• For reference



NOTE: Locate supplies and "P" trap in open area.

#### In the United States:

DXV  
One Centennial Avenue  
Piscataway, New Jersey 08855  
Attention: Director of Customer Care

For residents of the United States, warranty information may also be obtained by calling the following toll free number: (800) 227-2734  
www.DXV.com

#### In Canada:

DXV  
5900 Avebury Road  
Mississauga, Ontario  
L5R 3M3  
Canada

Toll Free: 1-800-387-0369  
Local: 905-306-1093  
Fax: 1-800-395-1498

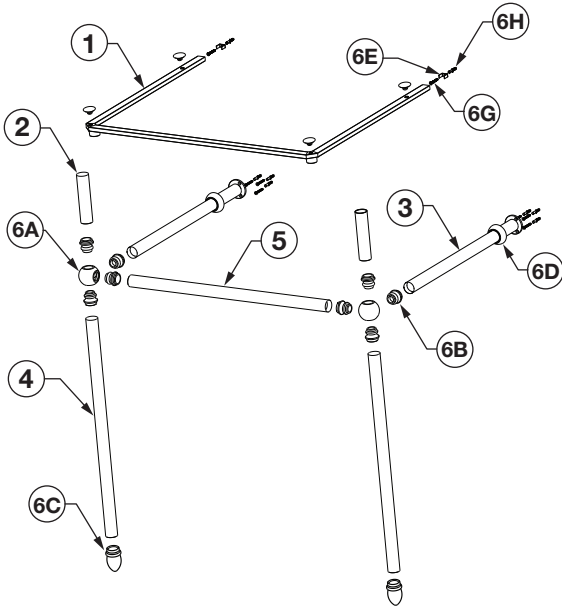
#### In Mexico:

DXV  
Via Morelos 330  
Col. Santa Clara Coatitla  
Ecatepec, Estado de México 55540

Toll Free: 01-800-8391200  
www.DXV.mx

SAVE FOR FUTURE USE

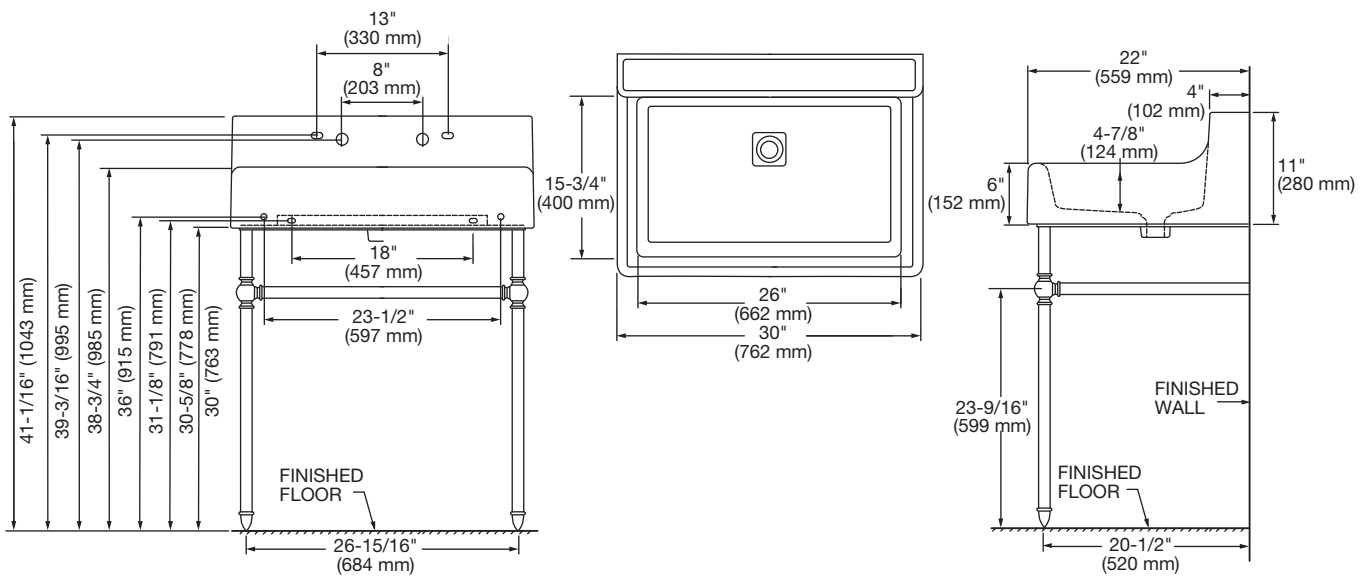
## EXPLODED VIEW - FITZGERALD CONSOLE



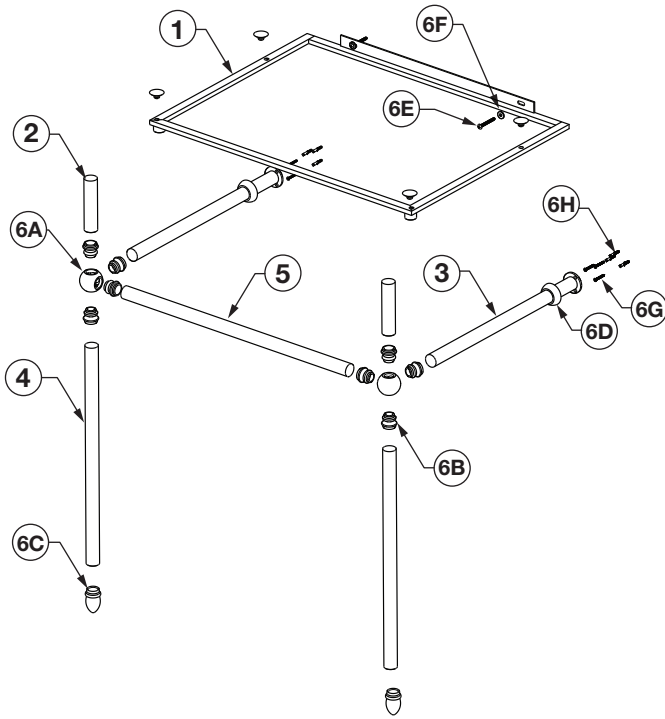
ITEM #	DESCRIPTION	PART NUMBER
1	Stabilizing Frame	
2	Vertical Support Tube	
3	Horizontal Support Tube	
4	Vertical Support Tube	
5	Horizontal Support Tube	
6A	(1) - Ball Joint	770144-201.YYY0A
6B	(1) - Ball Joint Connector	770145-201.YYY0A
6C	(1) - Foot Ferrules	770146-201.YYY0A
6	Hardware/Mounting Kit 6D (2) - Wall Escutcheons 6E (2) - Wall Bracket Attachment 6G (8) - Screws (head Ø 7.4mm x 32.8mm, phillips flat head) 6H (8) - Wall Anchors	770226-201.YYY0A

## ROUGHING-IN DIMENSIONS: OAK HILL CONSOLE

- For reference



## EXPLODED VIEW - OAK HILL CONSOLE



ITEM #	DESCRIPTION	PART NUMBER
1	Stabilizing Frame	
2	Vertical Support Tube	
3	Horizontal Support Tube	
4	Vertical Support Tube	
5	Horizontal Support Tube	
6A	(1) - Ball Joint	770144-201.YYY0A
6B	(1) - Ball Joint Connector	770145-201.YYY0A
6C	(1) - Foot Ferrules	770146-201.YYY0A
6	Hardware/Mounting Kit 6D (2) - Wall Escutcheons 6E (2) - Screws (Ø 5.5mm x 50mm) 6F (2) - Washers (OD - Ø 16mm, ID - Ø 6mm) 6G (6) - Screws (head Ø 7.4mm x 32.8mm) 6H (6) - Wall Anchors	770226-202.YYY0A

### 1 CONSOLE STAND INSTALLATION

Suitable reinforcement is required for anchoring the lavatory to the wall. Determine horizontal centerline location "X" of lavatory mounting holes. (see Figure 1).

Rough in supply lines and waste per rough in dimensions.

\* **For Oak Hill Console:** It must have cross beam for fastening the stabilizing frame.

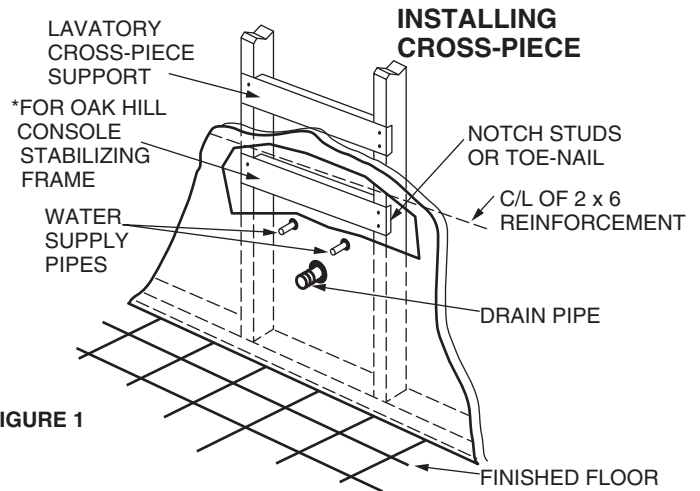


FIGURE 1

**2** Refer to exploded view. Set aside items 6E through 6H. Assemble console stand using items 1 through 5 and 6A through 6D.

**3** Move the metal stand into place. Attach center rails of console to wall using items 6G thru 6H. The glides can be adjusted, but it is recommended not to exceed 1/2" if possible.

**4a FOR FITZGERALD CONSOLE**  
Level stabilizing frame item 1. Mark position of brackets (item 6E). Attach brackets to wall using items 6G & 6H.

**Note:** Remove & re-install stabilizing frame (item 1) if necessary.

**4b FOR OAK HILL CONSOLE**  
Level stabilizing frame item 1. Using item 6E (screw) and 6F (washer) to fasten the frame to the wall.

**Note:** Remove & re-install stabilizing frame (item 1) if necessary.

**5** Continue with installation for appropriate sink and faucet options chosen.