



FITZGERALD®

28" LAVATORY WITH CONSOLE



FEATURES

- Fine fire clay
- 8" faucet spread
- Metal console legs
- P-Trap sold separately
- Console stand with functional side towel bars
- Recessed rear overflow

DIMENSIONS

NOMINAL DIMENSIONS

28" x 22" x 35-1/4" (711 x 559 x 895 mm)

BOWL INSIDE DIMENSIONS

20-1/8" (511 mm) wide

12-5/16" (313 mm) front to back

6-1/8" (155 mm) depth

COLORS/FINISHES

Lavatory: Canvas White (415), Biscuit (071)

Console: Polished Chrome (002), Polished Nickel (008),
Satin Nickel (295)

COMPONENTS

D20015008.XXX 28" Three-Holes Lavatory

D20015001.XXX 28" Single-Hole Lavatory

D21410028.XXX Console

D35700020.XXX Traditional Decorative P-Trap (optional component)

Polished Chrome (100)

Carbon Bronze (110)

Brushed Nickel (144)

Platinum Nickel (150)

Satin Brass* (427)

* Available October 2015

COMPLIANCE CERTIFICATIONS

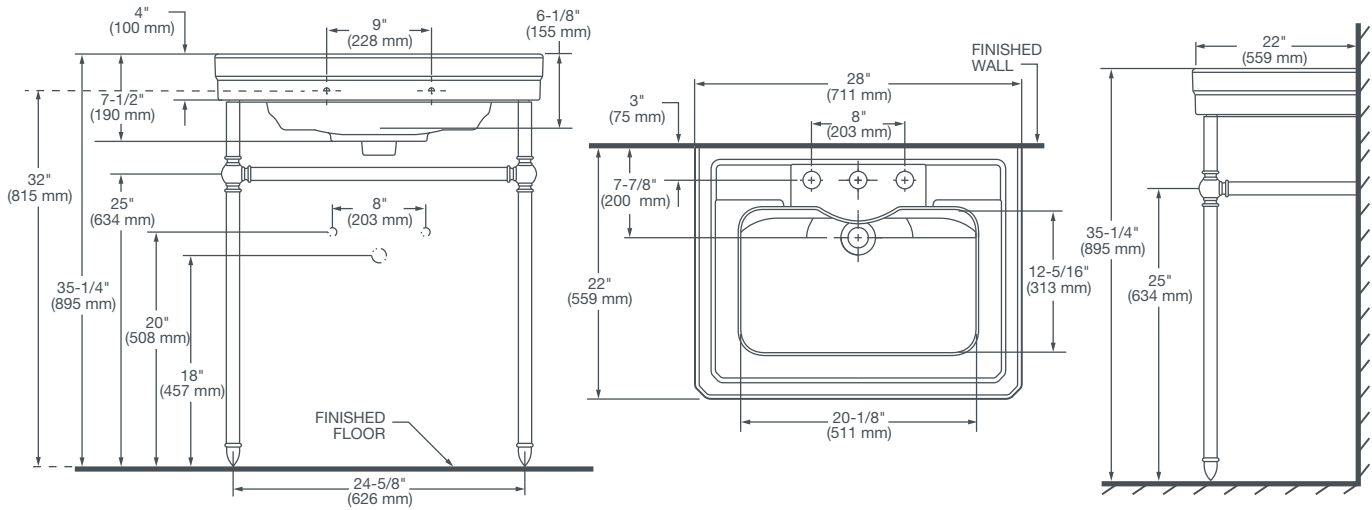
Meets or Exceeds ASME A112.19.2/CSA B45.1-0

ROUGH IN DIAGRAM SHOWN
ON NEXT PAGE



FITZGERALD®

28" LAVATORY WITH CONSOLE



NOTE: Locate supplies and "P" trap in open area.

NOTES:

Dimension shown for location of supplies and "P" trap are suggested. Secure furniture in accordance with installation instructions provided. Fittings not included with fixture and must be ordered separately. Installation Instructions supplied with lavatory and console legs.

IMPORTANT:

Dimensions of fixtures are nominal and may vary within the range of tolerance established by ANSI standards. These measurements are subject to change or cancellation. No responsibility is assumed for use of superseded or voided pages.

PART OF LIXIL