



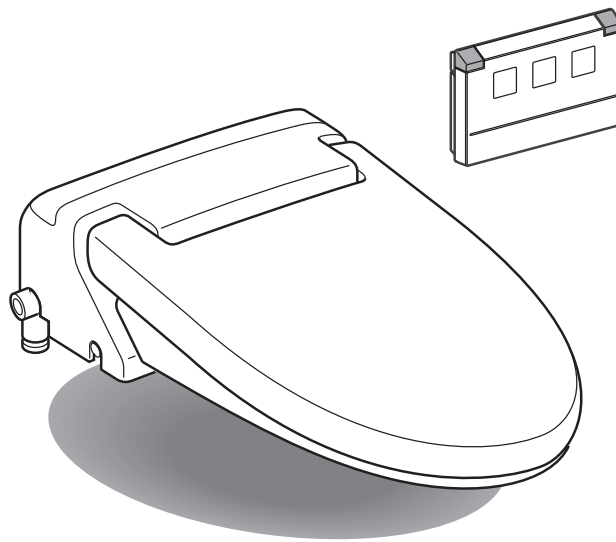
ENGLISH

AT100

INSTALLATION & USER MANUAL

D28005ARS141-XXX - ELECTRONIC BIDET SEAT-CWH

Canvas White (415)



Thank you for purchasing this product.

After reading this manual, please keep it in a place where you can refer to it easily.

BE SURE TO FOLLOW THE SAFETY PRECAUTIONS.

Failure to follow the safety precautions may result in serious accidents in some circumstances.

Each of these items are extremely important for safety, and should be strictly observed.

In the event that an accident occurs as a result of improper usage, DXV by American Standard will assume no responsibility for damages.

TABLE OF CONTENTS

1. Important Safeguards	3
2. Product Description	6
3. Installing This Product	7
Installation Requirements	7
Contents	7
Ground Fault Circuit Breaker	8
Power Supply	8
Grounding	8
Installation Location	8
Water Supply	8
Checking the Bathroom	8
Checking the Toilet	9
Illustrated Parts Breakdown	10
Overview	10
Indicator Panel	10
Filter	10
Operating Panel	11
Warm Water Tank Drain Plug	11
Mounting Plate	11
Installation	12
Operational Check	18
4. Using This Product	21

1. Important Safeguards

When using electrical products, especially when children are present, the basic safety precautions should always be observed.

READ ALL THE INSTRUCTIONS BEFORE USING THIS PRODUCT

The following safety terms are used in this manual to warn against different hazardous situations:

DANGER indicates an imminently hazardous situation which, if not avoided, will result in death or serious injury.

WARNING indicates a potentially hazardous situation which, if not avoided, could result in death or serious injury.

CAUTION indicates a potentially hazardous situation which, if not avoided, may result in minor or moderate injury or in damage to the product or other property.



DANGER

To reduce the risk of electric shock:

1. Have a professional install this product.
2. Install a secure ground connection, following the grounding instructions (see page 8)
3. Do not place or store product where it can fall or be pulled into a tub or sink.
4. Do not place on or drop into water or any other liquid.
5. Do not pour water or cleanser inside this product. Do not splash water or cleanser on the body or the power plug.
6. Do not reach for a product that has fallen into water. Unplug immediately.
7. Do not allow anyone except an authorized service technician to disassemble, repair or modify this product. If repairs are necessary, contact our company.



WARNING

To reduce the risk of burns, electrocution fire, or injury to persons:

1. When small children, elderly persons, persons with limited mobility or people with illness are using this product, ensure that the proper operating procedures are followed at all times to ensure the user's safety.
2. When you are using this product for a long period of time, set the seat temperature to "Off".
For the following persons, be sure to set the seat temperature to "Off" when they are using this product.
(Children, elderly persons, persons with illness, persons with limited mobility, persons with sensitive skin, persons who are taking medicines that cause drowsiness, persons who are intoxicated, or persons who are extremely fatigued.)
* Using the toilet for a long period of time without setting the seat temperature to "Off" may result in low temperature burns.

Low Temperature Burns

A low temperature burn may occur when the skin has been in contact for some time with an object at relatively low temperature (about 104 °F [40 °C]). Susceptibility to burns also depends on an individual's skin sensitivity and other factors.

3. This product should be used only as described in this manual. Do not use attachments that are not recommended by the manufacturer.
4. Never operate this product if it has a damaged cord or plug, if the plug is loose in the outlet, if it is not working properly, or if it has been dropped or damaged. Please contact our company for instructions on resolving any of the above issues.
5. Keep the cord away from heated surfaces. (Example: Panel Heater)
6. Never block the air openings of the product. If lint or hair, etc. is stuck in the air openings, remove it immediately.
7. Never use while sleeping or feeling drowsy.
8. Never drop or insert any object into any opening or hose.
9. Do not use outdoors or operate where aerosol (spray) products are being used or where oxygen is being administered.
10. Connect this product to a properly grounded outlet only. See Grounding Instructions.
11. This product should only be connected to a potable water supply line. Failure to do so will cause problems in the operation.
12. Do not pull out or insert the power plug with wet hands.
13. Disconnect the power plug periodically and clean it with a dry cloth. Dust accumulated on the power plug may cause fire.



To reduce the risk of minor injury or property damage:

1. This product should only be connected to a 120 V AC, 60 Hz GFCI-protected outlet.
2. Be sure to set the dry temperature to "Lo" when the following persons use the toilet.
(Children, elderly persons, persons with illness, persons with limited mobility, persons with sensitive skin, persons who are taking medicines that cause drowsiness, persons who are intoxicated, or persons who are extremely fatigued.)
* If the dryer is used for a long period of time on a setting higher than "Lo", the user may risk a low temperature burn. For this reason, our company recommends setting the dryer temperature to "Lo" during use.

3. For care of the plastic parts, our company recommends the use of a mild, liquid, all-purpose cleaner. Avoid using abrasive products (such as powdered cleansers) and chlorine-based products (such as bleach), as these products can damage the anti-bacterial properties of the plastic components.
4. If the toilet seat or the body cover is damaged, pull the power plug out of the outlet and contact our company to request repairs.
5. Do not stand on the toilet seat lid, as it may break.
6. Do not lean back against the lid during use, as this may damage or break the lid.
7. Install this product according to this installation manual. Improper installation may result in electrocution, fire, or a water leak.
8. If it is necessary to change the electrical wiring or plumbing (including items for which installation is not restricted, such as a ground fault circuit breaker), have an electrician or plumber who has undergone training in accordance with federal, state or local laws and regulations and has obtained the proper license, perform the required construction work.
9. If you will not be using this product for an extended period of time, close the water shutoff valve and drain the water from the toilet. In addition, disconnect the power plug from the outlet.
10. Avoid using front and rear cleansing functions excessively or for long periods of time as such overuse may increase the possibility of washing away desirable resident bacteria and causing an imbalance of bacteria in your body. If you are pregnant, are being treated for a gynecological condition, develop excessive irritation in the area of use, or if you have questions, please speak to your doctor before beginning or continuing use of the product.

SAVE THESE INSTRUCTIONS

2. Product Description

This product incorporates a set of features to improve personal toilet hygiene and comfort. These features include rear cleansing, front cleansing, a warm air dryer and a seat heater as well as the required controls for these features.

This product includes a seat unit (with heated toilet seat, toilet seat lid, warm water tank, and power cord), hardware for installing the seat unit on a toilet and connecting it to the water supply and this installation and user's manual.

This product incorporates the following features:

- rear cleansing with water flow strength controls
- front cleansing with water flow strength controls
- warm air dryer with air temperature controls
- seat heater with heat level control
- rear and front cleansing water temperature control
- seat and water temperature indicators
- rear and front nozzle self-cleaning
- stop button for rear cleansing, front cleansing and dryer

Note:

- When transporting the product, take care not to inadvertently bump or drop it.
- This product has been already inspected using tap water. A small amount of water may be detected when installing the unit; this should not be a cause for concern.

3. Installing This Product

Installation Requirements

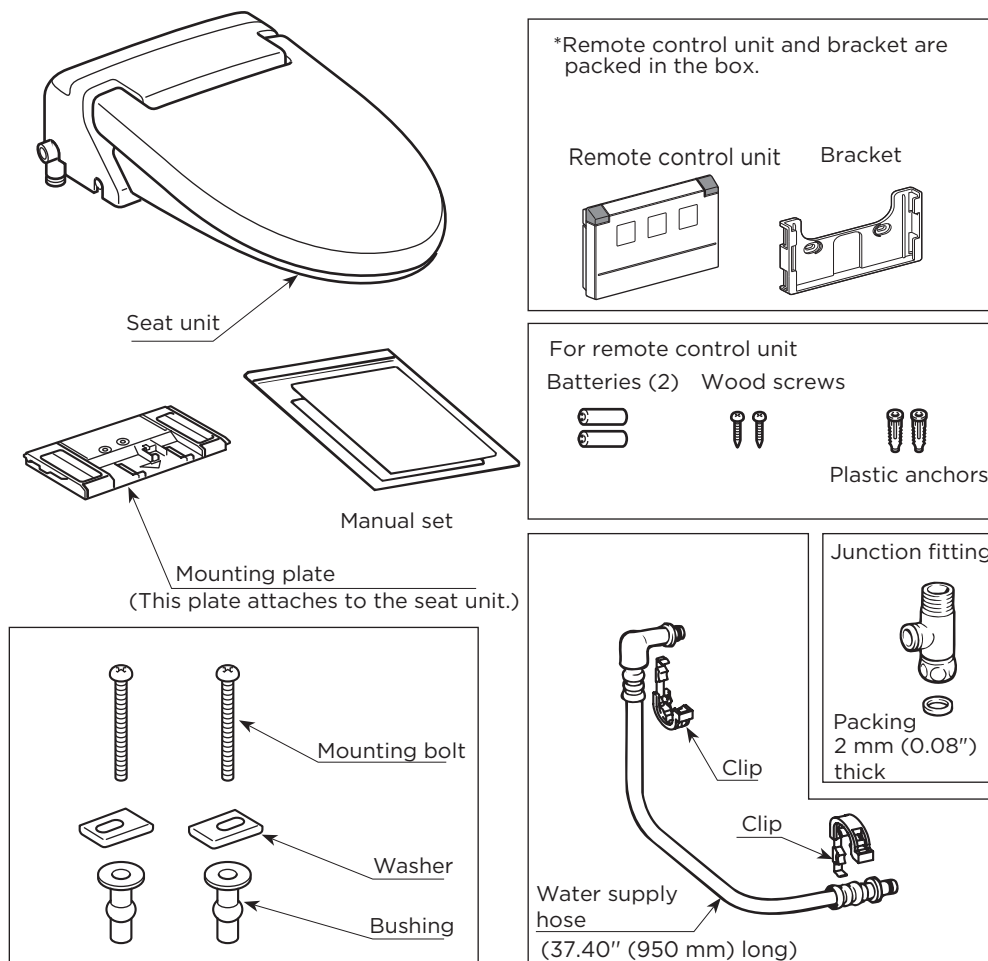
Before installing this product, ensure that each of the following installation requirements are met.

Contents

Remove the parts from the box and make sure all the parts in the parts list (below) are present. Inspect the parts carefully to make sure they are in good condition. If any part is damaged or missing, do not install this product. Contact the nearest customer service representative for the part(s) you need.

The following parts are included:

- Seat unit (with heated toilet seat, toilet seat lid and power cord)
- Mounting plate
- Manual set
- Mounting bolts, washers, and bushings (2 pieces each)
- Junction fitting (with a packing)
- Seat unit water supply hose (with 2 clips)
- Remote control
- Bracket
- Batteries
- Wood screw
- Plastic anchors



Ground Fault Circuit Breaker

A ground fault circuit breaker must be installed in the circuit that supplies power to this product.

Power Supply

This product is for use on a nominal 120 V circuit. Use a 120 V, 60 Hz power supply. The maximum power consumption is 301 W. Electrical wiring must be installed that meets these specifications. The plug outlet shall be placed in an accessible location after installation.

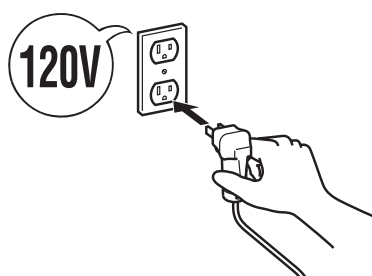
Grounding

This product must be grounded. In the event of an electrical short circuit, grounding reduces the risk of electric shock by providing an escape wire for the electric current. The power cord has a grounding wire and a three-prong grounding plug (shown below). Do not use an adapter with the product's power plug, or use any other unauthorized method to connect the plug to an improperly configured outlet.

The outlet to which the product is connected must be 120 V, 60 Hz, with a minimum electrical rating of 3 A. The outlet must be properly installed and grounded, and it must be a three-slot outlet (shown below).

DANGER: Improper use of the grounding plug may cause an electric shock.

If it is necessary to use an extension cord, use only a three wire extension cord that has a three-prong grounding plug. The extension cord must be rated for at least 120 V, 60 Hz, 3 A.



Installation Location

In order to prevent damaging the electronic components, install this product at a location that minimizes the possibility of it getting wet. In extremely humid conditions, provide adequate ventilation by operating an exhaust fan or opening a window or door.

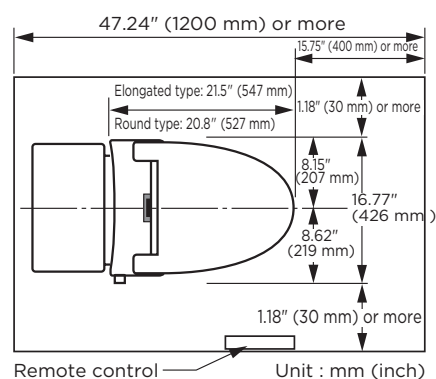
Water Supply

Use only the tap water line to supply water to this product. The use of any other type of water i.e. ground water may cause improper operation of this product.

The tap water pressure must be 8.5 to 106.7 psi (0.06 to 0.74 MPa, 0.6 to 7.5 kgf/cm²).

Checking the Bathroom

The dimensions required for mounting this product on a toilet are shown in the figure below. Check to make sure there is sufficient space inside the bathroom and that there are no obstructions.

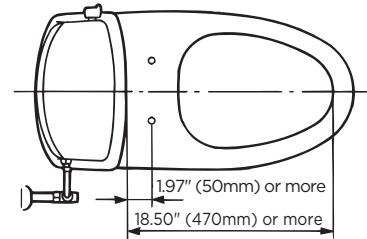
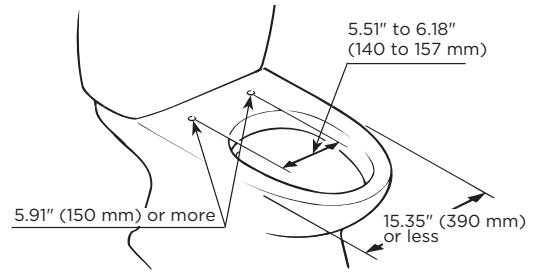


Checking the Toilet

1. Measure the size of the toilet.

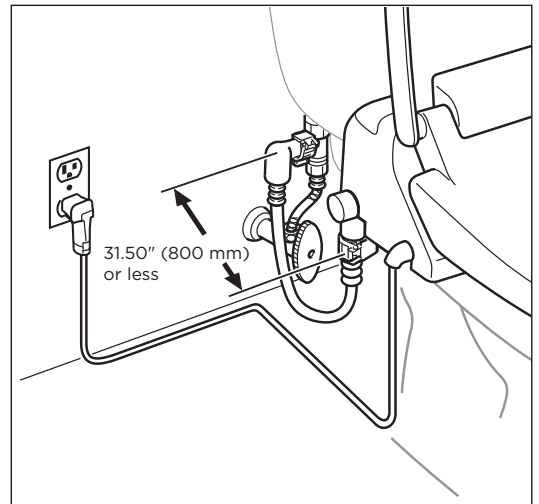
Depending on the size of the toilet, it may not be possible to mount this product on it.

Make sure the toilet's dimensions are as shown in the figure on the right.



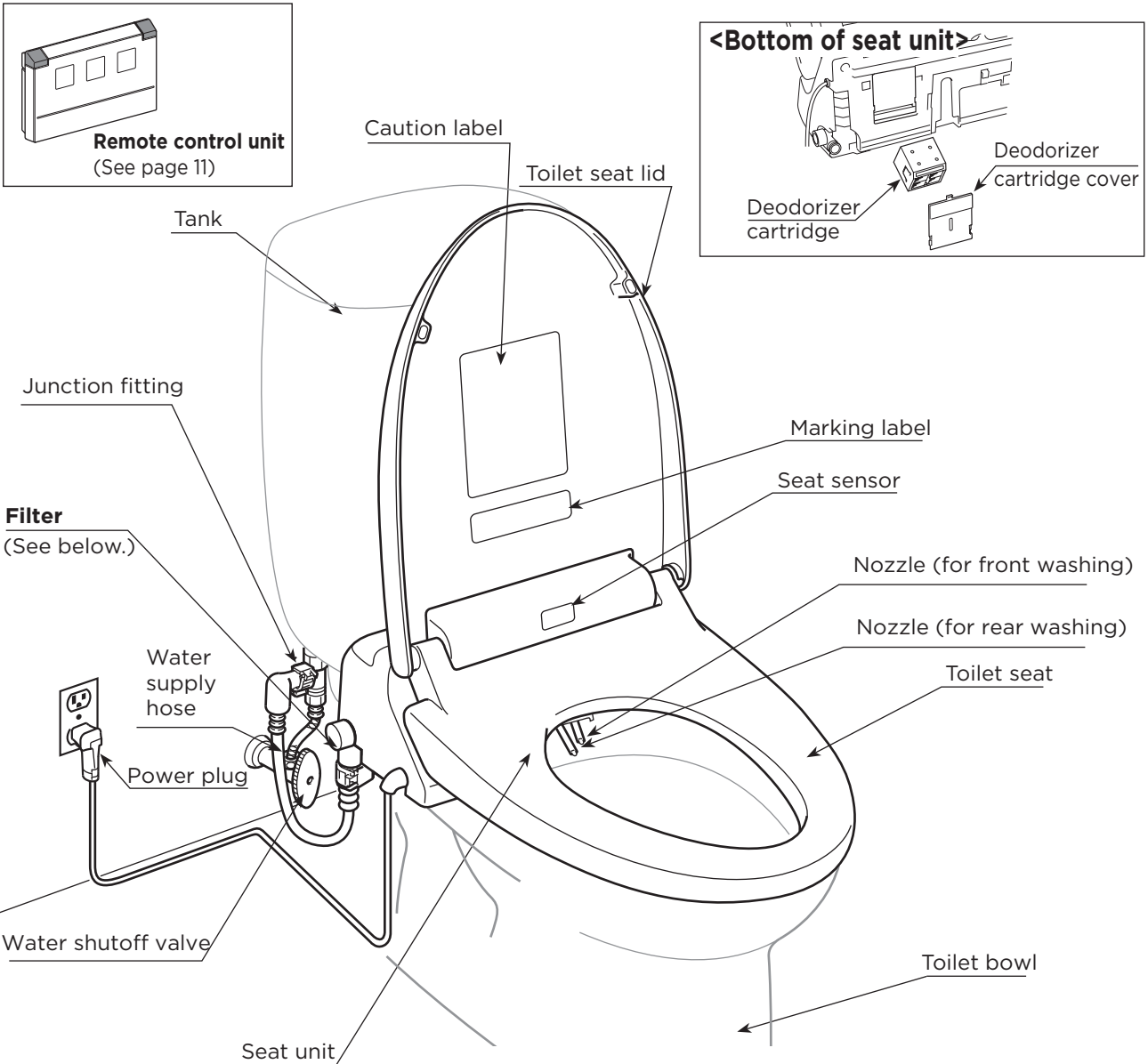
2. Conditions for using water supply hose (included)

The length of the water supply hose included with this product is 37.40" (950 mm), but a length of 31.50" (800 mm) from the junction fitting to the seat unit's water supply socket is appropriate. (Refer to the figure on the right)

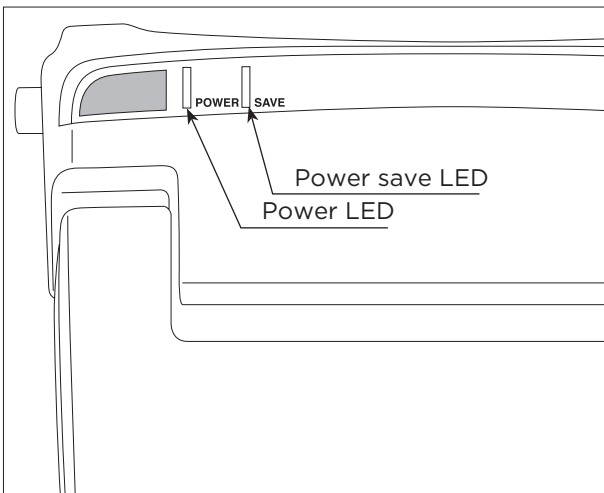


Illustrated Parts Breakdown

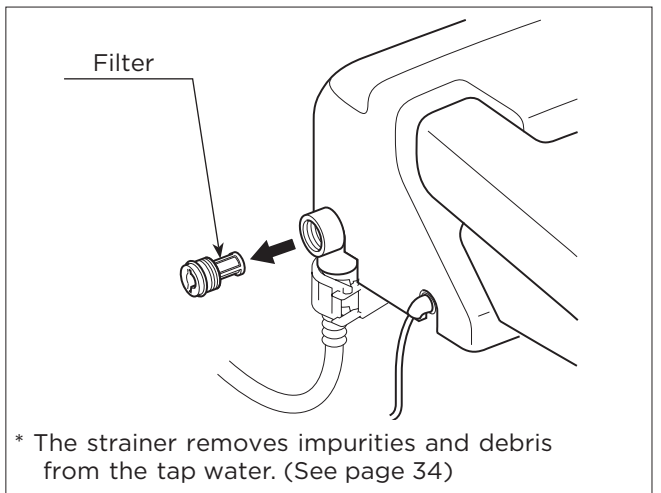
Overview



Indicator Panel



Filter



Operating Panel

STOP
Stops Rear Cleansing, Front Cleansing, and Drying operations.

CLEANSING
Use for Rear Cleansing.

BIDET
Use for Front Cleansing.

DRYER
Dries the User after cleansing. (See page 28.)

PULSATING
When pressed during rear cleansing, provides a massage effect by alternating the spray strength between high and low.

SPRAY STRENGTH
Adjusts the water pressure during rear and front cleansing. (See page 26.)

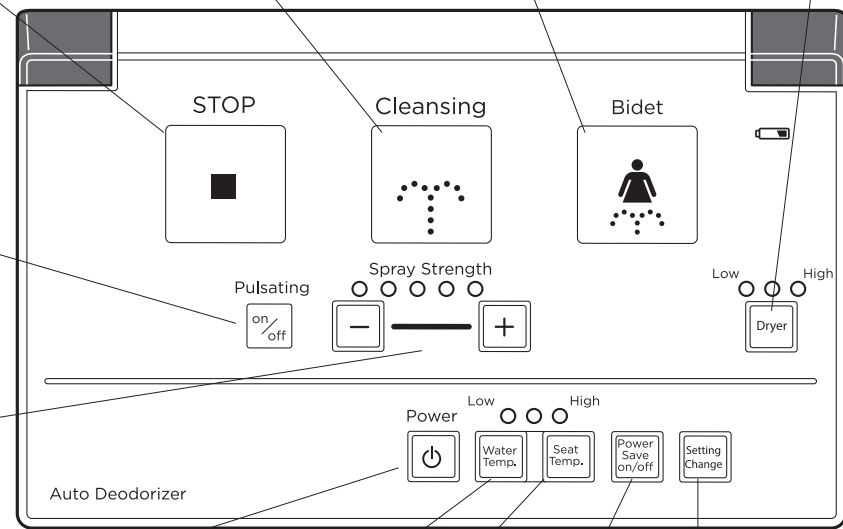
POWER
Controls the power for the seat. (See page 25.)

WATER TEMP.
Adjusts the temperature of the front and rear cleansing water. (See page 25.)

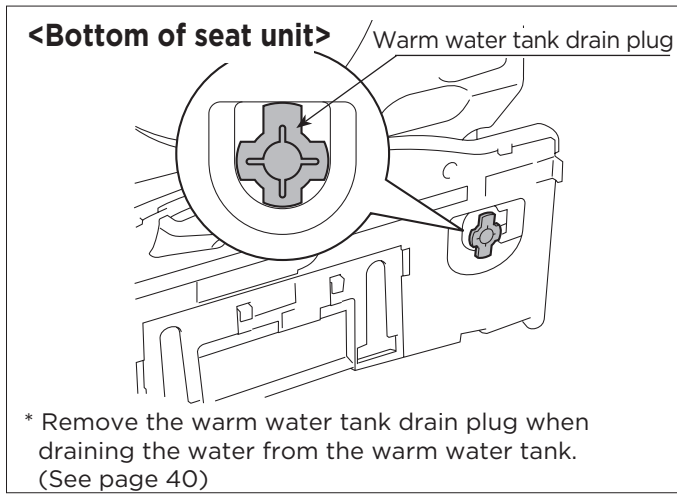
SEAT TEMP.
Adjusts the toilet seat temperature. (See page 25.)

POWER SAVE
Conserves energy by lowering the toilet seat temperature. (See page 29.)

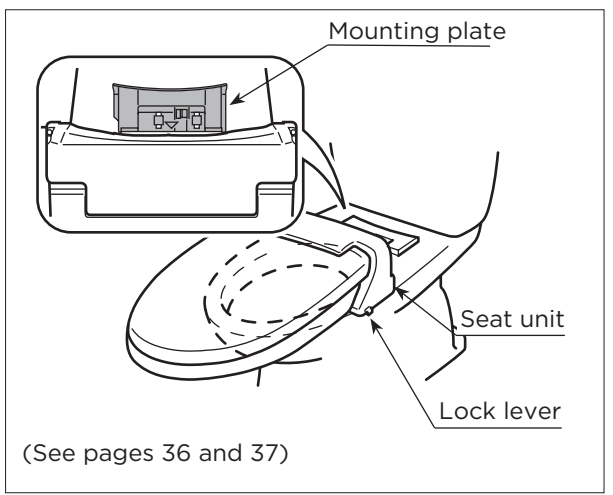
SETTING CHANGE
Not generally used. (Used when multiple bidets are installed.)



Warm Water Tank Drain Plug



Mounting Plate



Installation

1. Required tools

Have the following tools for installing this product: adjustable end wrench, Phillips head screwdriver, flat-blade screwdriver.

2. Install the junction fitting

- (1) Close the toilet water shutoff valve fully.
- (2) Flush the toilet and empty all the water from the tank.
- (3) Place a wash bowl or other container underneath the tank water supply hose. Then loosen the box nut on the tank inlet side and remove it.

CAUTION

- Be careful not to damage the water supply hose.

- (4) Place the packing in the junction fitting box nut and connect the tank inlet to the junction fitting.

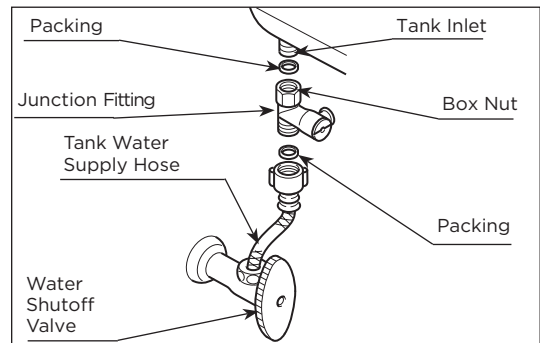
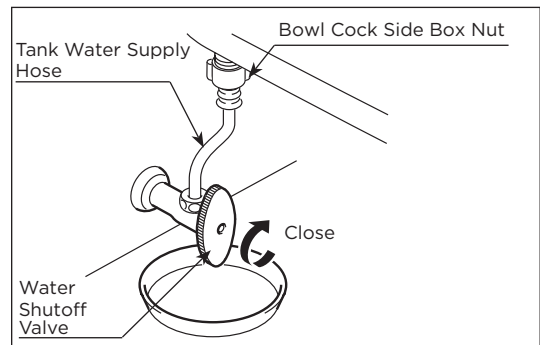
CAUTION

- Do not overtighten the nut.

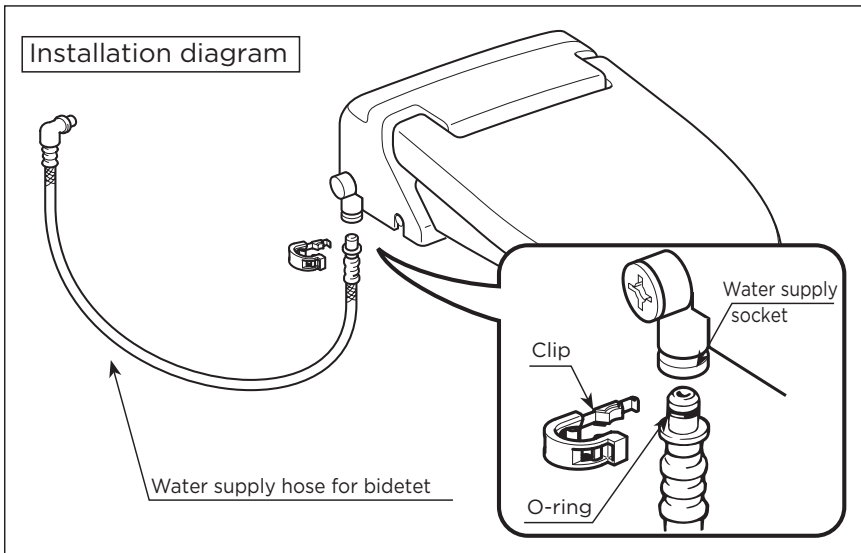
- (5) Insert the packing in the tank water supply hose box nut and connect the tank water supply hose to the junction fitting.

CAUTION

- Do not overtighten the nut.

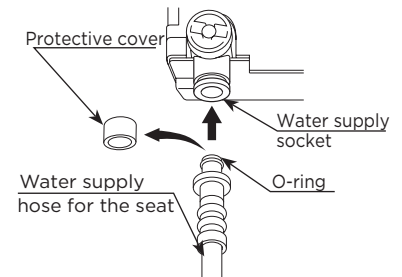


3. Installation of water supply hose to the bidet



- 1) Remove the protective cover from the end of the water supply hose, and pull out the cap from the water supply connection socket.
- 2) Connect the water supply hose for the bidet to the water supply connection socket.

Water supply connection socket

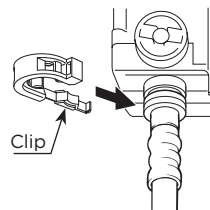


CAUTION

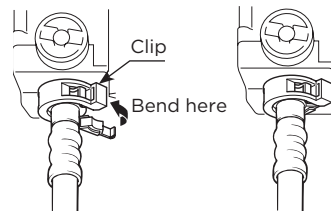
- Be careful not to damage the O-ring. Damaged O-ring may cause water to leak.

- 3) Insert the attachment clip onto the water supply hose to attach it to the bidet and water supply connection socket.

*The attachment clip can be attached in any direction.



- 4) Bend the clip end and firmly clip together both the feeding hose for the bidet and the feeding socket. After you install the clip, twist it in both directions to verify that it is firmly attached.



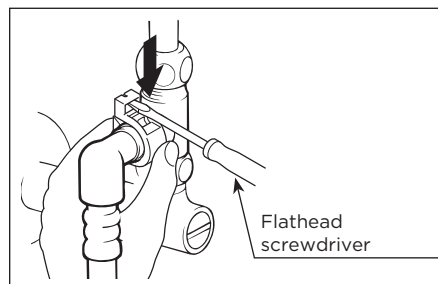
CAUTION

- Firmly insert the clip. *If the clip is not firmly inserted, it may cause water leaks.

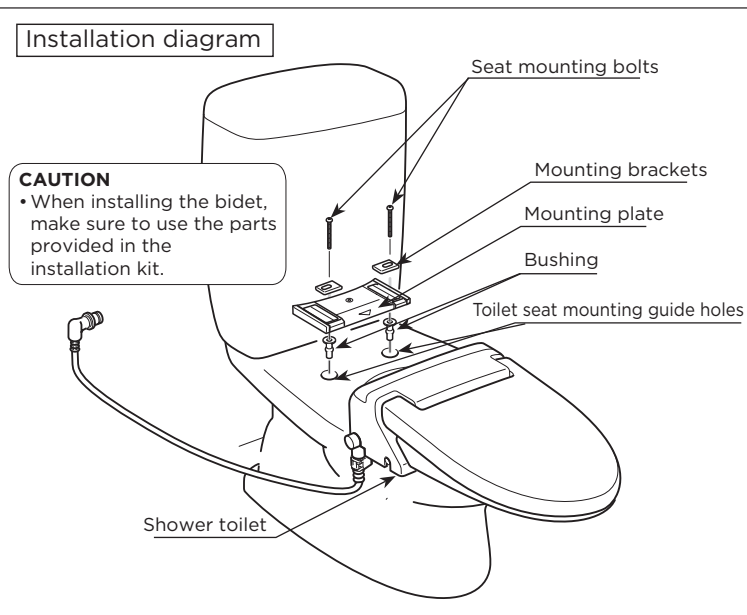
CAUTION

- Insert the clip until you feel the clip edge click. *If not firmly inserted, it may cause water leaks.

- When removing the clip, hold the clip with your fingers, and using a flathead screwdriver, push the clip downward to remove it as shown in the figure below.

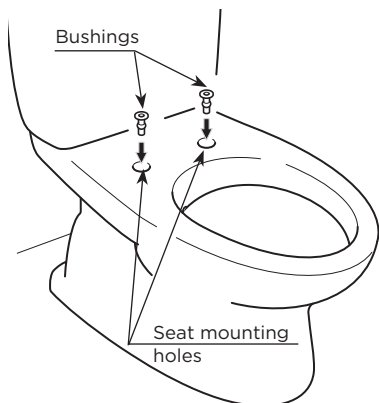


4. Installation of the bidet

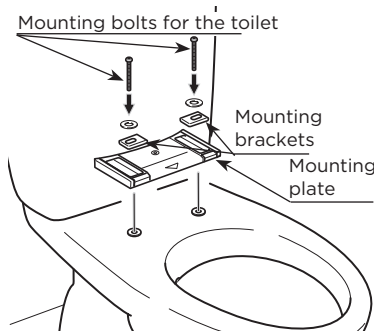


(2) Install the slide plate onto the seat.

1) Insert the bushings into the seat mounting holes.



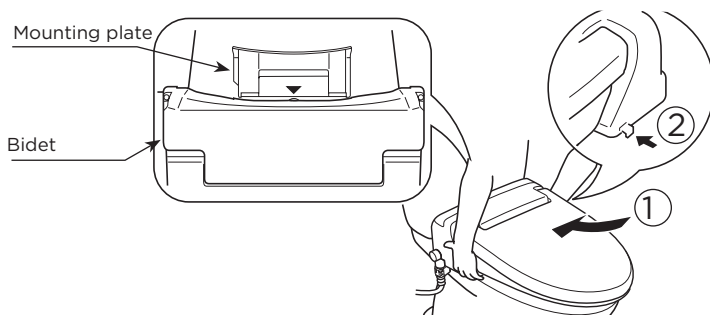
2) Insert the mounting bracket into the mounting plate and use the mounting bolts to attach the slide plate to the seat.



(3) Install the bidet.

1) Place the bidet on the toilet and align the ▽ mark on the mounting plate with the △ mark on the rear section of the bidet.

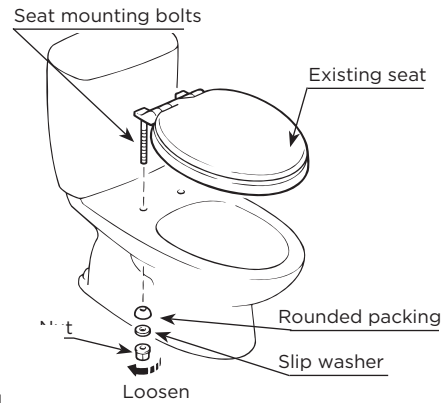
2) Slightly raise the front side of the bidet, slide it until the slide plate is fully inserted, and then press the locking lever to secure the bidet.



(1) Remove the existing seat.

1) Remove the nuts from the seat mounting bolts, the slip washers, and rounded packing.

2) Raise the seat and remove it by lifting the seat mounting bolts.

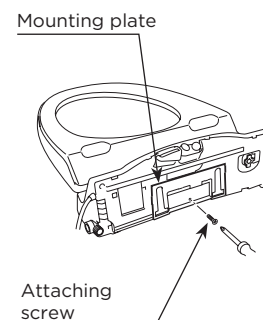


References

- Some toilet seats may require different methods of removal that differ from our explanation.
- The removed toilet seat should be stored in your home in case you remove the shower seat.

CAUTION

- When use of the mounting plate is not necessary, please retain the slide using the attaching screw included in the installation kit to prevent it from moving or becoming lost.



5. Install the water supply hose (junction fitting side)

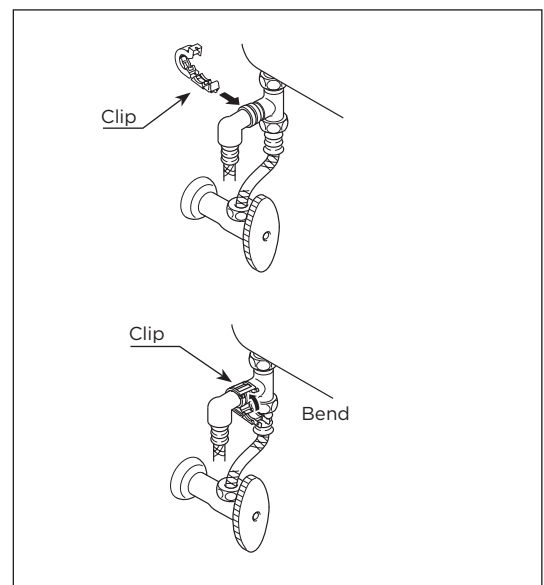
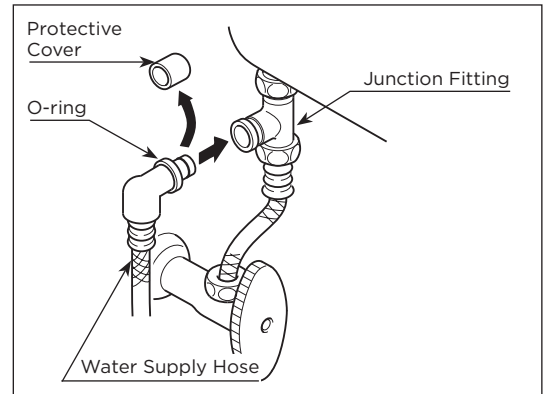
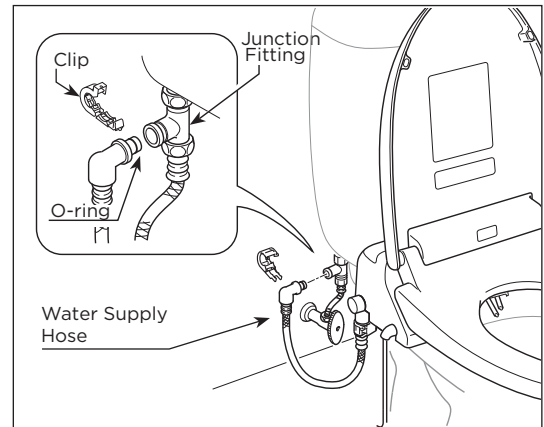
- (1) Remove the protective cover from the end of the water supply hose, and insert it in the junction fitting.

CAUTION

- Be careful not to damage the O-ring.
*Water may leak if the O-ring is broken or damaged.

- (2) As with the body side, fit the clip on the hose and junction fitting and lock it. Turn it to make sure it is fastened securely.

- Fit the clip by engaging its ends until a click is heard.
*Loose fitting may cause water leakage.

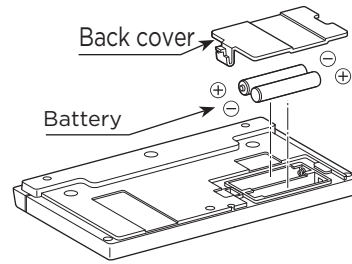


6. Install the remote control unit

- (1) Open the back cover of the remote control unit and insert the 2 size AA batteries.

CAUTION

- Insert each battery so its positive pole touches a positive connector in the battery compartment and its negative pole touches a negative connector.



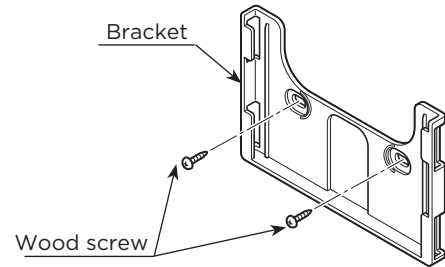
- (2) Position the bracket on the wall in the location you chose for the remote control unit (see Remote control unit mounting location, page 17). Mark the location of the mounting holes on the wall. Fasten the bracket to the wall, drilling holes and using the fasteners appropriate for the wall material, as described below.

CAUTION

- Leave enough space above the top of the remote control unit to allow the unit to be removed and replaced.

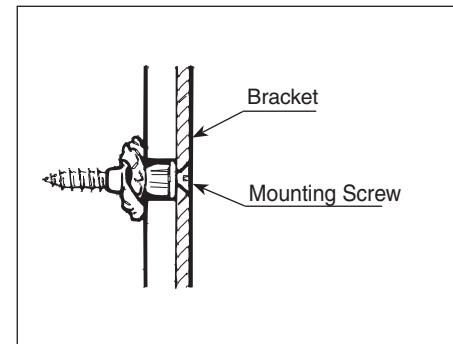
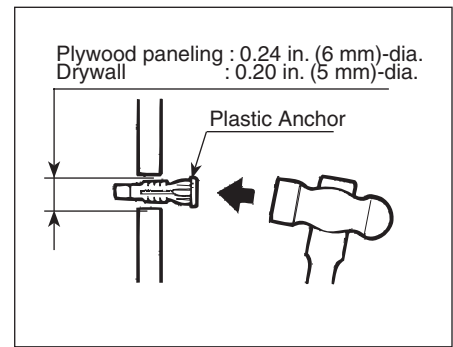
If mounted in plywood paneling 0.20 in. (5 mm) or greater in thickness:

Fasten the bracket to the wall with the mounting screws.



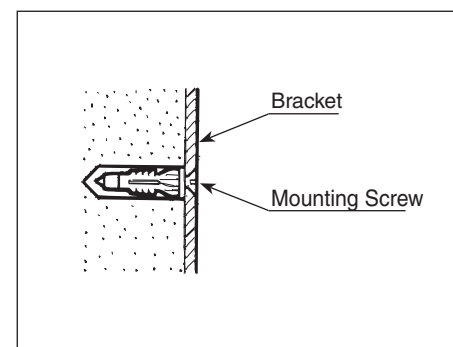
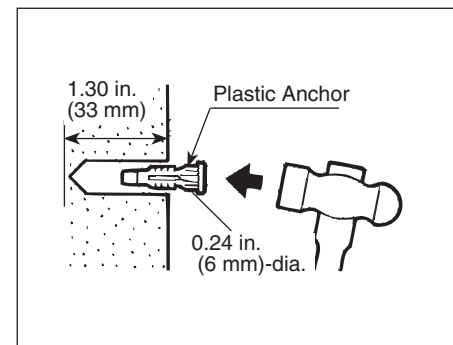
If mounted either in plywood paneling 0.20 in. (5 mm) or less in thickness or in drywall:

- 1) In plywood paneling, drill holes with a diameter of 0.24 in. (6 mm); in drywall, drill holes with a diameter of 0.20 in. (5 mm):
- 2) Using a hammer, gently drive the plastic anchors into the holes.
- 3) Fasten the bracket securely to the anchors using mounting screws. As you tighten the screws, they are hard to turn at first, then gradually get easier to turn, and then are hard to turn again.

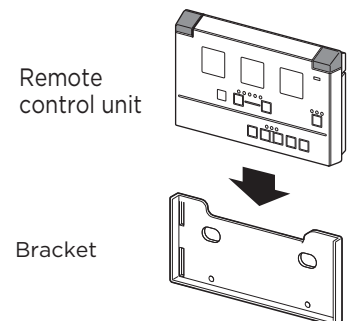


If mounted in concrete:

- 1) Drill holes with a diameter of 0.24 in. (6 mm) and a depth of approximately 1.30 in. (33 mm).
- 2) Using a hammer, gently drive the plastic anchors into the holes.
- 3) Fasten the bracket securely to the anchors using mounting screws.



- 4) Align the remote control unit with the bracket and then push it down onto the bracket.

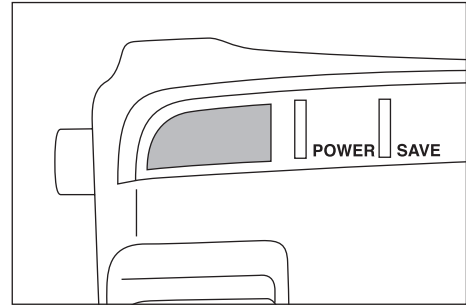
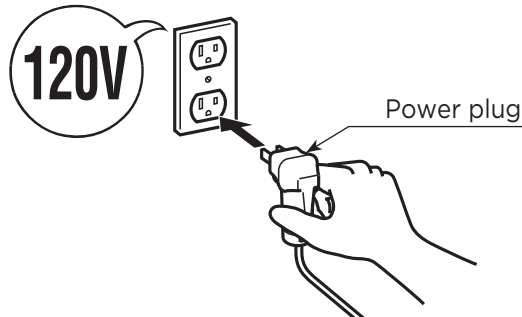


Operational Check

Follow the procedure below after the installation work has been completed.

1. Insert the power plug into the outlet.

Confirm that the power LED on the seat unit is lit.



2. Check the front and rear cleansing spray.

(1) Check the cleansing operation.

- 1) With your forearm resting on the toilet seat, press the Cleansing button. The shower automatically stops two minutes after the switch is turned on.
- 2) When the nozzle extends, cover the tip of the nozzle with your hand to catch the spray.
- 3) Press the STOP button to stop the cleansing spray.



Roll up your sleeve and place your bare arm on the toilet seat.

(2) Perform the same check using the front cleansing spray function.

*Due to the seat sensor function, the product's rear cleansing, front cleansing and deodorizer will not operate unless you touch the seat.

STOP

Stops rear cleansing, front cleansing and drying operations.

SPRAY STRENGTH

Adjusts the water pressure during rear and front cleansing.

DRYER

Dries the user after cleansing.

PULSATING

When pressed during rear cleansing, provides a massage effect by alternating the spray strength between high and low.

POWER

Controls the power for the seat.

WATER TEMP.

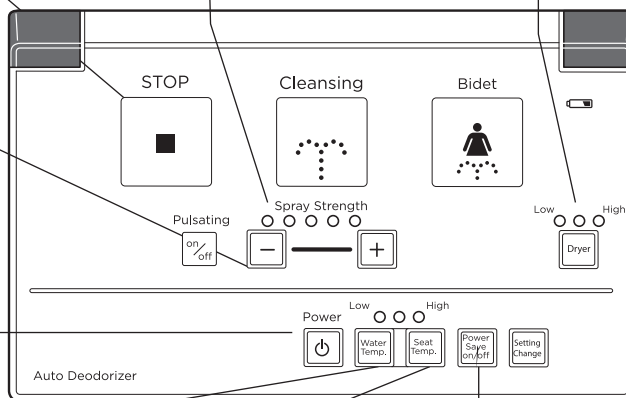
Adjusts the temperature of the front and rear cleansing water.

SEAT TEMP.

Adjusts the toilet seat temperature.

POWER SAVE

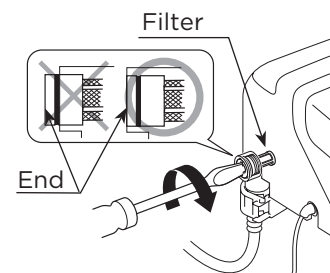
Conserves energy by lowering the toilet seat temperature.



CAUTION

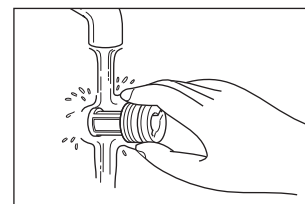
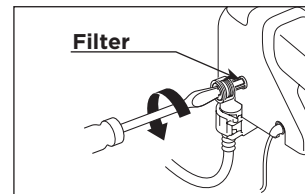
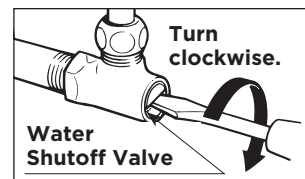
When removing the filter, be sure to close the water shutoff valve. When attaching the filter, firmly tighten it until the end of the filter is hidden in the seat unit.

* Water will leak from the filter.



3. If the flushing begins to weaken, or if the bidet spray seems to be getting weaker, clean the filters.

- (1) Turn the water shutoff valve clockwise to close it. As the water shutoff valve is pre-adjusted, keep track of the turns so that you can return to the original position.
- (2) Remove the filter located on the left side of the seat unit. Place a wash bowl or similar item underneath the Filter.
- (3) Rinse the filter.
- (4) Firmly tighten the filter.
- (5) Open the water shutoff valve by turning it back to its original position.



4. If freezing weather is anticipated, drain the water.

- (1) Turn the water shutoff valve clockwise to shut off the water supply to the tank.
(For draining in cold areas, operate the indoor drain plug.)
- (2) Press the flush lever on the tank to drain water from the tank.
- (3) Remove the power plug from the outlet.
- (4) Drain the water from the warm water tank and the water supply hose connected to the seat unit.
 - 1) Pull the lock lever on the right side of the seat unit and slide the seat unit forward to remove it from the toilet bowl.
 - 2) Remove the filter located on the left side of the seat unit. Place a wash bowl or similar item underneath the filter.
 - 3) Tilt the seat unit to the left to drain the water from the water supply hose through the filter hole.
 - 4) After the water has been drained, firmly attach the filter.
 - 5) Turn the drain plug located on the bottom of the seat unit to the left (counterclockwise) 90 degrees to loosen it.
 - 6) Tilt the seat unit forward, pull out the drain plug and completely drain out the water from the warm water tank.
 - 7) After the water has been drained, push and turn the drain plug to the right (clockwise) 90 degrees to tighten it.
 - 8) Place the seat unit on the toilet bowl, and align the ▼ mark on the mounting plate with the convex part at the lower rear of the seat unit.
 - 9) Slide the seat unit backward and push the lock lever to secure the seat unit.

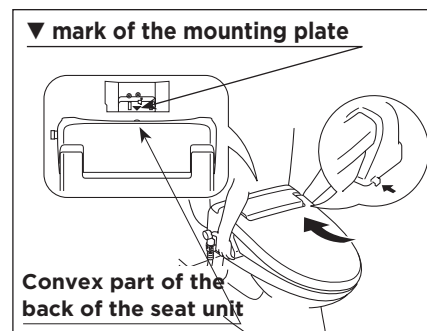
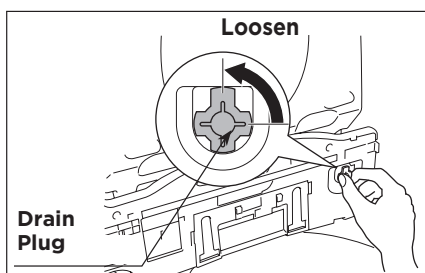
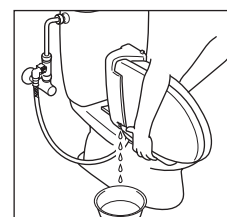
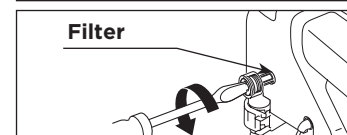
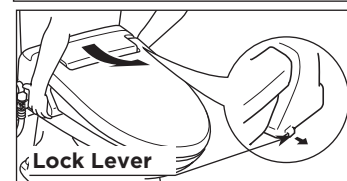
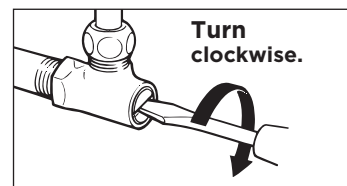


TABLE OF CONTENTS

Using This Product	21
Safety Precautions.....	21
Observe These Precautions to Prevent Possible Injury or Damage.....	21
Additional Important Information	23
Product Functions	24
Remote Control Unit	24
Preparations Before Use.....	25
How to Use the Basic Functions.....	26
How to Use the Convenient Functions	29
Maintaining This Product	32
Cleaning the Seat Unit	32
Cleaning the Nozzles	32
How to Clean the Deodorizing Cartridge	33
Cleaning the Filter.....	34
Cleaning the Area Covered by the Toilet Seat Lid	35
Cleaning the Areas of the Toilet That Are Covered by the Seat Unit.....	36
Preventing Freezing	38
Thawing Frozen Water Supply	39
Draining This Product During Periods of Extended Disuse.....	40
Replacing the Remote Control Batteries	41
Troubleshooting	42
After-sales Service	45
Specifications	46
Warranty information	47

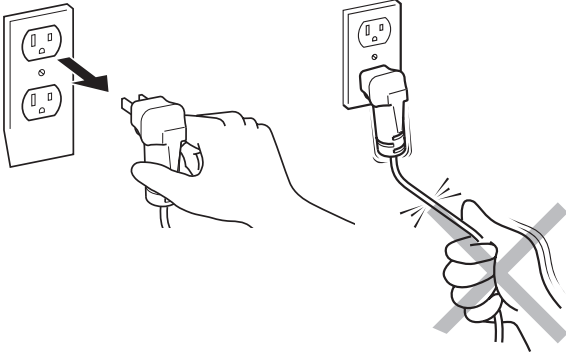
4. Using This Product

Safety Precautions

Observe These Precautions to Prevent Possible Injury or Damage

Hold the plug when inserting or disconnecting the power plug.

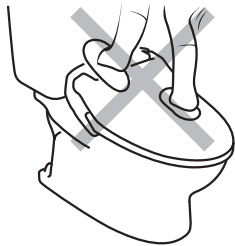
- * If the plug is inserted or disconnected by holding the cord, the plug or cord may be damaged, resulting in **fire or electric shock**.
- * When maintaining this product, remove the power plug from the wall outlet. Failure to do so could result in electric shock or fire.



For care of the plastic parts, our company recommends the use of a mild, liquid, all-purpose cleaner. Avoid using abrasive products (such as powdered cleansers) and chlorine-based products (such as bleach), as these products can damage the anti-bacterial properties of the plastic components.



Do not stand on the toilet seat lid, as it may **break**.



Do not open or close the toilet seat or lid roughly, as this may cause either of these parts to **fail**.



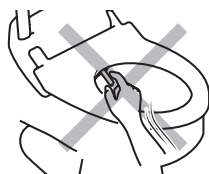
Do not lean back against the lid during use, as this may **damage or break** the lid.



Do not cover the warm air outlet or insert a foreign object into it, as this may cause it to **fail**.



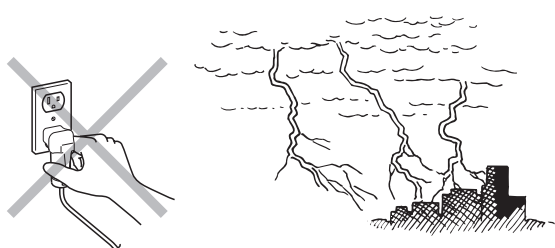
Do not forcefully pull on the nozzle or turn it, as this may cause it to **fail**.



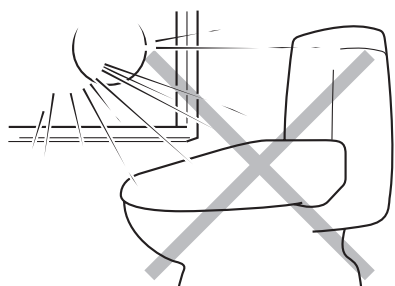
If freezing weather is anticipated, activate the antifreeze function as described on Page 38.



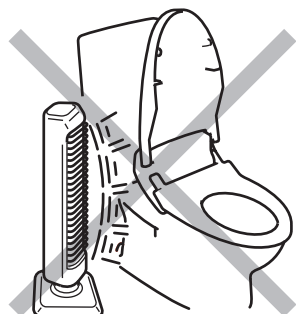
In a thunderstorm, do not touch the power plug. Doing so could cause an **electric shock**.



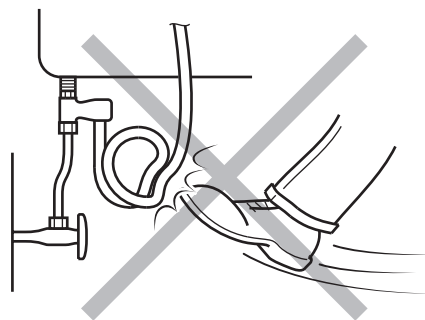
Do not expose this product to direct sunlight, as this may cause **discoloration**.



Do not place a heater near the toilet, as this may cause **discoloration** of the plastic or **failure** of the washing and drying functions.



Do not apply unnecessary force to the water supply hose as it could result in **damage** and cause water to **leak**.



Do not urinate on the nozzle as it could cause nozzle **damage or failure**.

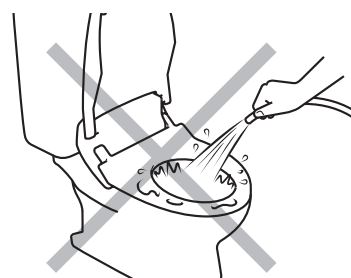
If you are using this product for a long period of time, set the seat temperature to "Off". For the following persons, be sure to set the seat temperature to "Off" when they are using this product.

Children, elderly persons, persons with illness, persons with limited mobility, persons with sensitive skin, persons who are taking medicines that cause drowsiness, persons who are intoxicated, or persons who are extremely fatigued.

* If you use this product for an extended period of time without setting the seat temperature to "Off", there is a risk of low temperature burns.

Regarding Low Temperature Burns
A low temperature burn may occur when the skin has been in contact for some time with an object at relatively low temperature (about 104 °F [40 °C]). Susceptibility to burns also depends on an individual's skin sensitivity and other factors.

Do not pour water or cleanser on the seat unit. Do not splash water or cleanser on the seat unit or on the power plug. Doing so could result in electric shock or fire.



Additional Important Information

A toilet seat cover or toilet seat lid cover may cause the seat sensor to either remain on continuously or not go on at all, leading to improper operation. If this occurs, remove the cover.

- The capacity of the warm water tank is 0.88 L.
Water temperature gradually drops when rear cleansing or front cleansing is used. If the water drops below a comfortable temperature, press the stop button and wait about 3 minutes for the water to reheat.
- The water temperature range is preset to the following temperatures:
 - Low: Approx. 97 °F (36 °C),
 - Medium: Approx. 100 °F (38 °C),
 - High: Approx. 104 °F (40 °C).It takes approximately 10 minutes to heat cold water (at about 41 °F [5 °C]) to the appropriate temperature (about 100 °F [38 °C]).

To prevent the toilet seat and toilet seat lid from slamming down, a damping mechanism is provided to lower them gradually. If the toilet seat or toilet seat lid is closed abruptly or too forcefully, this product could be damaged or fail.

This product is designed to use the tap water pressure to extend the nozzles and spray water through them. When the tap water pressure is extremely low, the nozzles may not spray water at all when the water pressure is set to the lowest setting. If this occurs, turn the Spray Strength dial clockwise. (See page 26.)

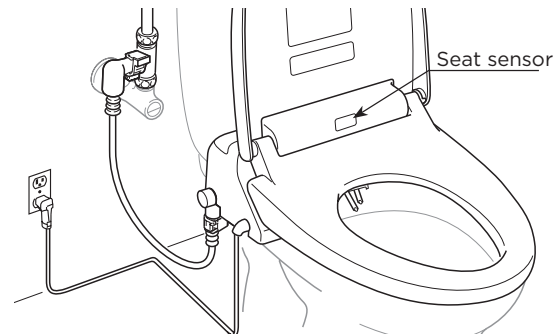
When the toilet is new, a slight odor may come from the deodorizer. This will go away in a short time.

If a radio or a TV is placed near this toilet, interference with the signals from the remote control unit may occur. If interference occurs, move the radio or TV away from this product.

Before and after cleansing and when the water temperature adjustment button is pressed, etc., water is sprayed from the nozzle. This occurs by design and is not a cause for concern.

If water sprays while under any other configuration, or sprays constantly, close the water shutoff valve and remove the power plug from the wall outlet. Then, contact our company to request repairs.

This product is equipped with a seat sensor that prevents the water from spraying and the dryer from operating if nobody is sitting on the toilet seat. This prevents activation if the wash, Bidet, or Dryer button is pressed when the toilet seat is unoccupied.



The seat sensor uses light reflection to function and may not operate under the following circumstances:

- You are leaning forward or sitting on the front of the seat.
Lean back on the toilet seat, or change the way you sit on the toilet.
- You are wearing clothing that is black, napped, or otherwise inhibits light reflection.
Cover the sensor with your hand or arrange your clothing so that your skin is sensed by the sensor.
- Dirt or water is on the sensor.
Remove the dirt or water from the sensor.

Sit back fully on the toilet seat and arrange your clothing so it does not get wet when using the wash or bidet functions.

Product Functions

Remote Control Unit

Installing This Product

Using This Product

STOP

Stops the cleansing, bidet and dryer functions.

CLEANSING

Use for rear cleansing. Press again for oscillating spray. (See page 26)

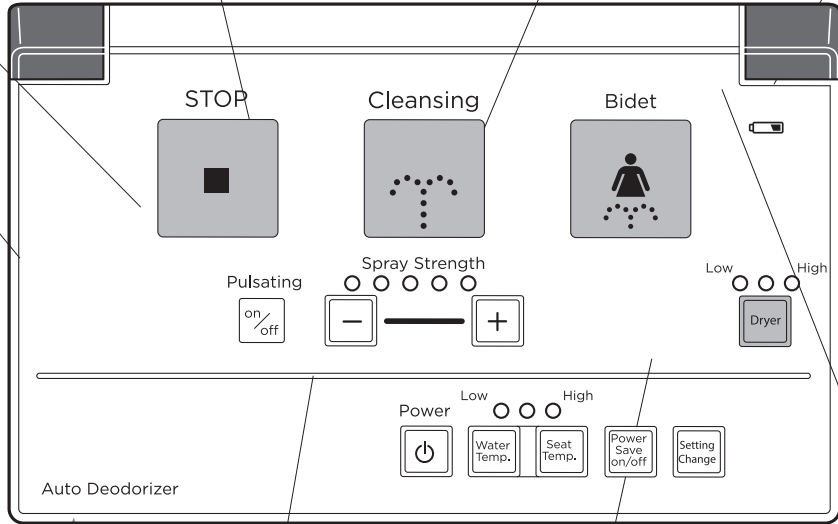
BIDET

Use for front cleansing. Press again for wide range spray. (See page 26)

Remote control transmitter

PULSATING

Alternates water pressure between low and high. (See page 27)



SPRAY STRENGTH

Adjusts the water pressure during rear or front cleansing. (See page 26)

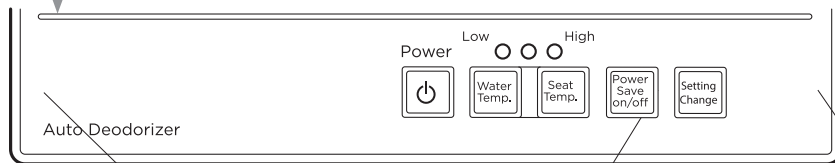
DRYER

Blows air for drying. (See page 28)

BATTERY INDICATOR

This indicator appears when the battery power is low. (See page 41)

OPEN THE COVER OF THE REMOTE CONTROL UNIT.



POWER

Turns the power to the Bidet main unit ON/OFF. (See page 25.)

WATER TEMP.

Adjusts the water temperature. (See page 25.)

POWER SAVE

Conserves energy by lowering the toilet seat and water temperatures. (See page 29)

SETTING CHANGE

Not generally used. (Used when multiple bidets are installed.)

SEAT TEMP.

Adjusts the temperature of the heated toilet seat. (See page 25)

*The deodorizer fan operates automatically. (See page 28)

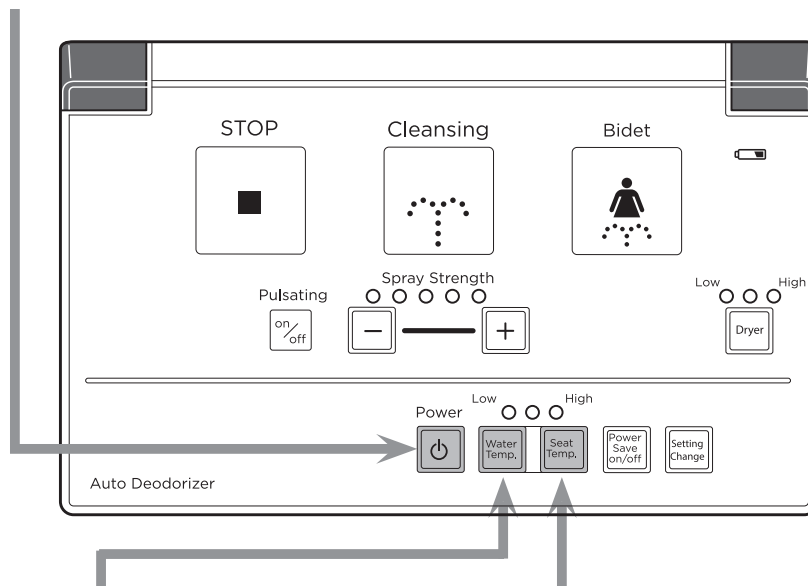
Preparations Before Use

Performing the following operations before using the bidet allows you to use the toilet comfortably.

POWER (Turning the power on/off)

Press the Power button to turn the power ON or OFF.

- * If the power is ON, the power LED on the indicator panel will light up.
- * When connecting the power cord to the outlet for the first time, the main power will automatically be on.



Water Temp.

Adjust the temperature of the bidet using the Water Temp. switch.

The water temperature can be set to one of 4 settings: HI, MID, LO and OFF. Set it to your preferred temperature.

- * The indicator LED cycles through the temperature settings each time the temperature button is pressed.
- * The indicator LED goes out after several seconds.

⚠ WARNING

- If you are using this product for a long period of time, turn the seat temperature OFF.
- Be sure to set the seat temperature to "OFF" when the following persons use the toilet. [Children, elderly persons, persons with an illness, persons who cannot adjust the temperature by themselves, persons with sensitive skin, persons who are taking medicines that make them drowsy, such as sleeping medications, persons who are very drunk, or persons who are extremely fatigued.]
- * If this product is being used for a long period of time with the seat temperature set to any setting other than OFF, there is a risk of causing low temperature burns.

Seat Temp.

Adjust the temperature of the toilet seat using the Seat Temp. switch.

The seat temperature can be set to one of 4 settings: HI, MID, LO and OFF. Set it to your preferred temperature.

- * The indicator LED cycles through the temperature settings each time the temperature button is pressed.
- * The indicator LED goes out after several seconds.

Reference

- The toilet seat will not become warm instantly. To achieve a comfortable seat temperature, set the seat to the desired temperature about 10 to 15 minutes prior to use.
- This product is equipped with a "Seat Heater Auto-Off" function that prevents low temperature burns by automatically switching the seat heater off when it is occupied. See page 30.
- The default setting for the seat temperature is "MID". The seat temperature can be increased or decreased incrementally. See page 30.

How to Use the Basic Functions

Cleansing

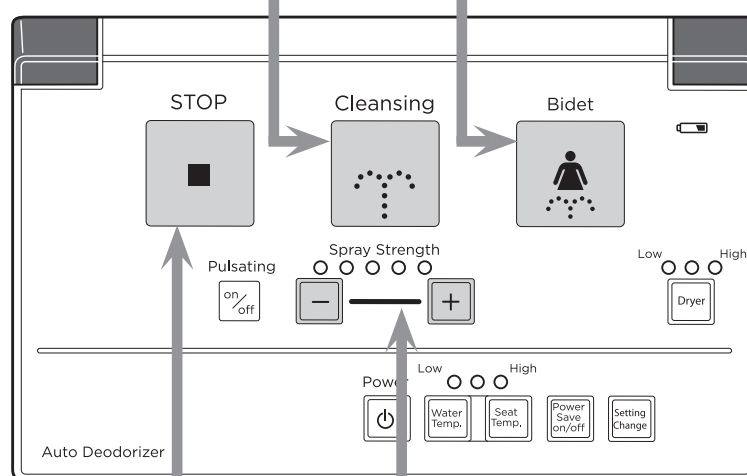
Water is sprayed from the rear cleansing nozzle.

1 Press the Cleansing button.

Bidet

Water is sprayed from the front cleansing nozzle.

1 Press the Bidet button.



3 Press the STOP button to stop the spraying.

- * An automatic self-stop function is included which stops both rear and front cleansing automatically after 2 minutes.

2 Press the [+] or [-] Spray Strength button to adjust the shower strength.

There are six levels of spray strength. Adjust the spray strength as desired.

- * The indicator LED cycles through the spray strength settings each time the button is pressed.
- * The indicator LED goes out after several seconds.

CAUTION

- In places with low tap water pressure, the nozzles may not spray water far enough if the water pressure is set to LO. In such cases, try setting the water pressure to HI.
- Fully cover the toilet seat while sitting in order to prevent water from splashing outside the toilet.

Reference

You can decrease or increase the spray strength beyond the default setting range. See page 51. The indicator LED on the remote control goes out after several seconds. When the [STOP] button is pressed before using the shower, the LED lights, indicating the current spray strength setting.

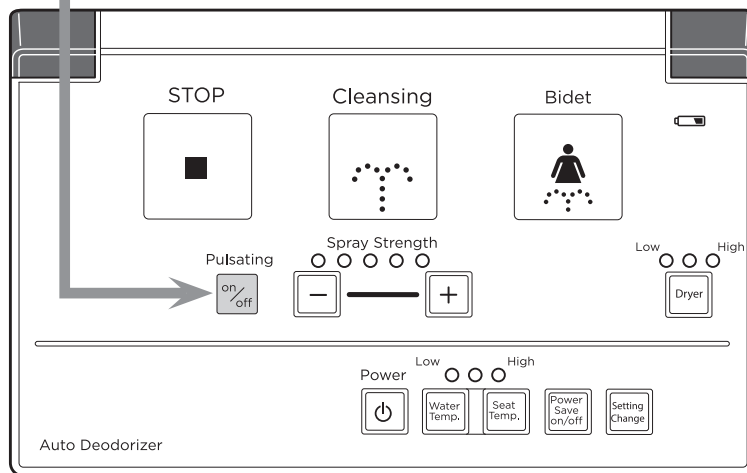
Rear Pulsating cleansing

Water pressure alternates between high and low during rear cleansing, providing a massaging effect.

1 Press the Pulsating button during rear cleansing.

* Massage effects may be felt differently depending on users.

2 To stop the Pulsating spray, press the Pulsating button again.



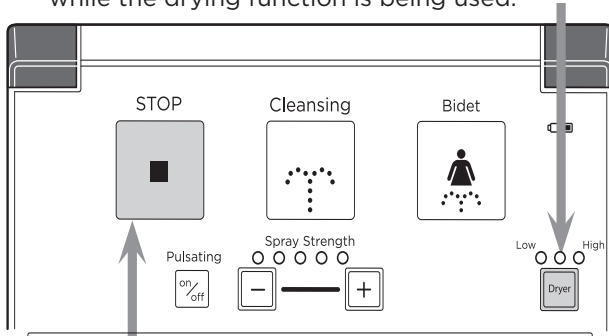
* Massage feeling varies depending on the spray strength. Pressing the [+] button increases the spray strength, and pressing the [-] button decreases the spray strength.

Drying

Warm air dries the user after front or rear cleansing.

1 Press the Dryer button.

- * The deodorizer function stops temporarily while the drying function is being used.



3 Press the STOP button to stop the drying function.

- * An automatic self-stop function is included that stops drying automatically after 4 minutes.

2 Press the Dryer button again to change the temperature of the warm air.

The warm air temperature setting is available in 3 modes: "Hi" "Mid" and "Lo". Set it to the temperature you prefer.

- * The indicator LED cycles through the temperature settings each time the temperature button is pressed.
- * The indicator LED goes out after several seconds.
- * When drying is stopped, the setting is returned to the preset temperature.

! WARNING

- * If you are using the drying function for a long period of time, set the Dryer mode to LO.
- * For the following persons, be sure to set the Dryer mode to LO when they are using this product: Children, elderly persons, persons with illness, persons with limited mobility, persons with sensitive skin, persons who are taking medicines that cause drowsiness, persons who are intoxicated, or persons who are extremely fatigued.
- * If the drying function is being used for a long period of time with the Dryer mode on any setting other than LO, there is danger of causing burns.



Reference

- * To speed up the drying process after using one of the wash functions, lightly wipe with toilet paper to remove any drops of water, prior to pressing the Dryer button.
- * This product is equipped with a "low drying temperature start" function which switches the drying temperature from the high temperature starting pattern to the low temperature starting pattern. See page 30

Deodorizing

1 Deodorizing starts when a person sits on the toilet seat.

- * This product is equipped with a deodorizer cartridge which absorbs odors from the toilet. See page 33.
- * Deodorizing is stopped temporarily while the drying function is being used.

2 Deodorizing automatically stops 1 minute after you stand up.

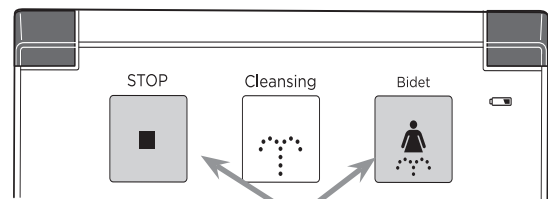
Stops after 1 minute



To disable the deodorizer

Press the STOP and Bidet buttons simultaneously for 2 seconds.

- * When the deodorizer feature is disabled, the power LED on the seat unit flashes momentarily. At this point, the deodorizer will no longer activate when a user is detected.
- * To restore the deodorizer function, press the STOP and Bidet buttons simultaneously for 2 seconds.



- * If an unsuitable toilet seat cover is used, the seat sensor may be covered by the cloth, causing the deodorizer fan to run continuously.

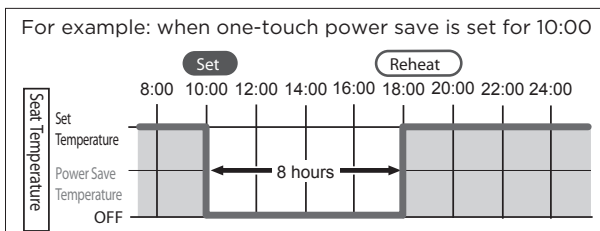
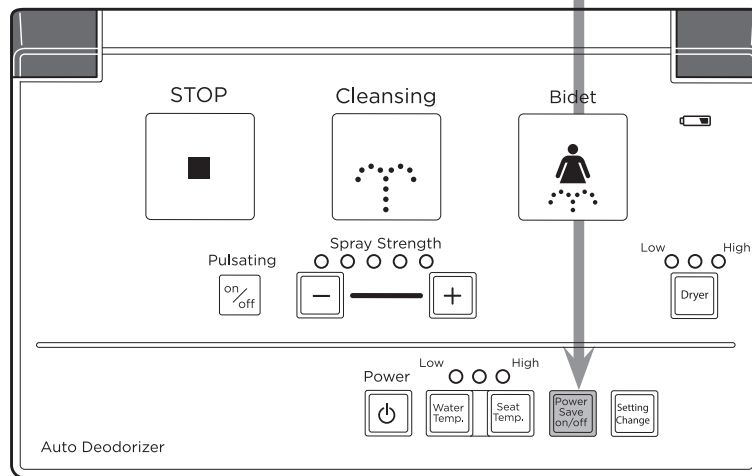
How to Use the Convenient Functions

Power Save

One-Touch Power Save: Reduces power consumption by turning off the seat heater for 8 hours. The power settings are automatically restored after 8 hours.

One-touch power save (8 hours)

1 Press the Power Save button.
The power save LED lights up.



- * Once 8 hours have passed, the power settings will automatically return to their original state. The power save LED will switch from flashing to off.
- * The one-touch power save is not automatically repeated everyday, but can be set any number of times in a day.

2 To cancel the one-touch power save function, press the Power Save button again.
(The power save LED will go out.)

- * You can use the toilet even when the power save function is operating. However, you may feel that the water is cold as the heater for water and the toilet seat is turned off. If desired, you may turn off the power save function.
- * Even when the power save functions are not operating, leaving the toilet lid closed is an effective way to conserve energy.

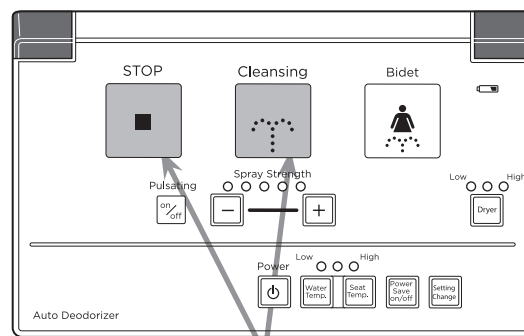
Other convenient functions

Seat heater auto-off

This product is equipped with a function that prevents low temperature burns by automatically switching the seat heater OFF when the seat is occupied.

Setting and canceling

- Press the STOP button and the Cleansing button simultaneously for 2 seconds. Once the seat heater auto-off has been disabled, you will hear two beeps.
- This function can be canceled by following the same procedure.



Press the buttons simultaneously for 2 seconds.

If you use the toilet continuously with this function enabled, you may feel the toilet seat is warm.

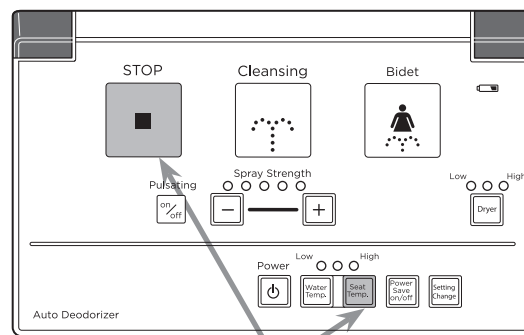
* The seat heater automatically turns ON when you stand up.

Changing the default medium temperature setting of the seat.

The default medium temperature of the seat can be lowered by 2°.

Setting or canceling

- Press the STOP button and Seat Temp. button simultaneously for 2 seconds. Once the default temperature setting is changed, an indicator LED on the seat will flash.
- The default seat temperature setting can be restored using the same procedure.



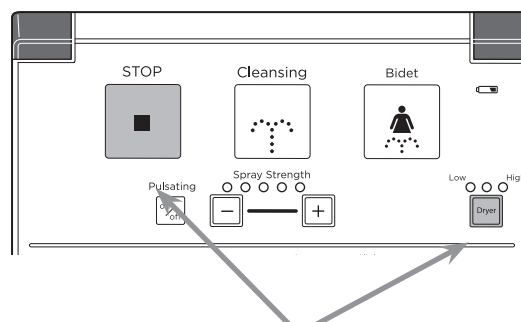
Press the buttons simultaneously for 2 seconds.

Starting warm air drying at "high" or "low" temperature

Warm air drying can be set so that it starts at "high" or "low" temperature. The default temperature setting is "medium". This function is convenient for elderly persons, handicapped persons, or persons who are particularly sensitive to heat.

Setting or canceling

- Press the STOP button and Dryer button simultaneously for 2 seconds. Once the setting has been changed, and indicator LED on the seat will flash.
- The medium temperature change can be cancelled using the same procedure.
- * Each time the button is pressed, the indicator switches from "Low" to "High" to "Medium," then back to "Low."
- * The indicator LED goes out after several seconds.



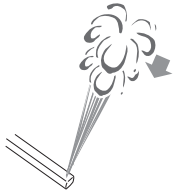
Press the buttons simultaneously for 2 seconds.

Turning the water pressure even lower.

If the "LO" setting for the bidet spray is still too strong, adjust the water pressure even lower by performing the following procedure.

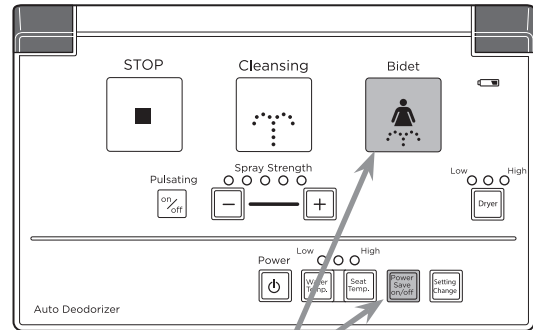
Setting and canceling

- Press the Bidet button and the Power Save ON/OFF button simultaneously for 2 seconds. The power LED located on the seat unit flashes momentarily and the water pressure will be set one step lower. Two lower settings are available. Adjust the spray to your preferred strength.



The water pressure is lowered one step each time the buttons are pressed. The original water pressure will be restored the third time this procedure is performed.

- In order to return to the original water pressure, repeat the process of pressing the Bidet button and the Power Save ON/OFF button simultaneously for 2 seconds. The system returns to the original water pressure after the third time this procedure is performed.



To set the water pressure lower, press the buttons simultaneously for 2 seconds.

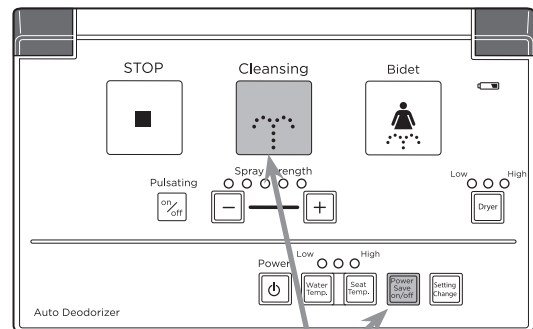
- * In places with low tap water pressure, the nozzles may not extend or it may take longer than usual for the nozzle to extend, when the water pressure is set to the lowest setting.

For persons who would like to turn the water pressure higher

The strength of the bidet spray function can be set even higher by performing the following procedure.

Setting and canceling

- Press the Cleansing button and the Power Save ON/OFF button simultaneously for 2 seconds. The power LED on the seat unit flashes momentarily and the water pressure will be set one step higher.



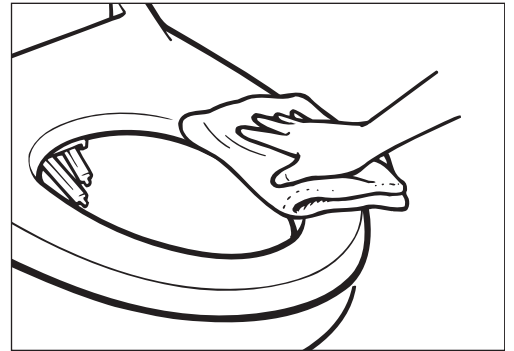
Press the buttons simultaneously for 2 seconds.

- To restore the original water pressure, press the Cleansing button and the Power Save ON/OFF button simultaneously for 2 seconds. The power LED on the seat unit blinks momentarily each time the buttons are pressed.

Maintaining This Product

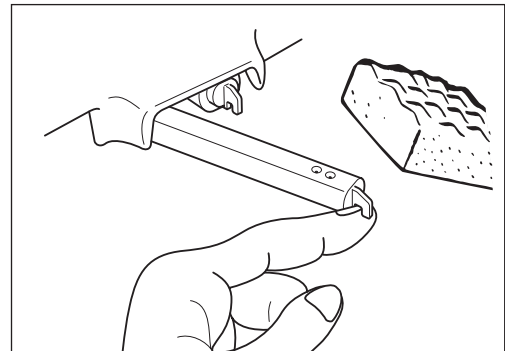
Cleaning the Seat Unit

Periodically, wipe off the seat unit with a soft cloth dampened with water.



Cleaning the Nozzles

Pull out the nozzle and clean it with a sponge. Do not forcefully pull on the nozzle or bend it.



How to Clean the Deodorizing Cartridge

The deodorizing cartridge may perform poorly if covered with dust. If odors are present, clean or replace the cartridge.

How to clean the deodorizing cartridge

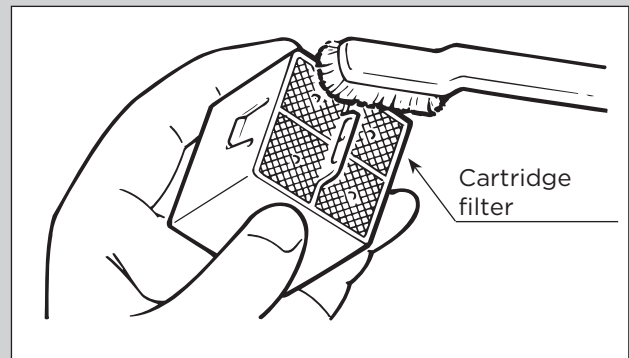
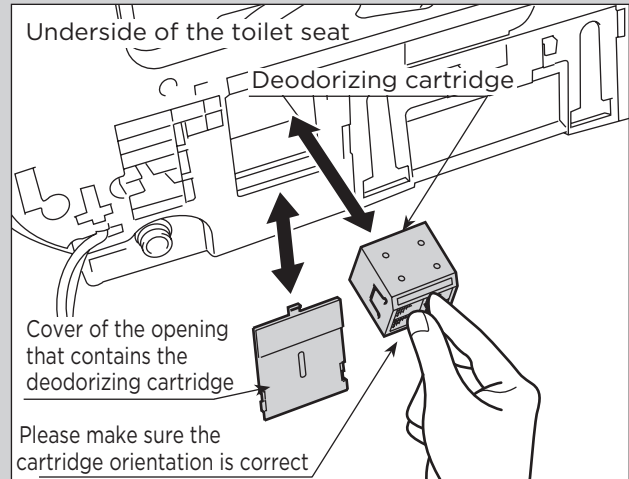
1. Disconnect the power plug from the outlet.
2. Remove the seat from the toilet (see page 14).
3. Open the cover that is over the deodorizing cartridge, which is installed on the underside of the seat.
4. Remove the deodorizing cartridge.
5. Clean off any dust covering the cartridge filter using a toothbrush.

CAUTION Be careful! Do not wash the deodorizing cartridge or allow it to become wet!

6. Hold the deodorizing cartridge with your fingertips and insert it into the opening, and then replace the cover.

CAUTION Caution: Insert the deodorizing cartridge into the opening as shown in the diagram to the right. (Rounded corners facing upward.)

7. When the cleaning is complete, reinstall the toilet seat (see page 37).



Replacing the deodorizing cartridge

If odors still bother you after cleaning the cartridge filter, the deodorizing cartridge has expired. Please replace it with a new cartridge. The useful life of the deodorizing cartridge is approximately seven years under normal use.

*The useful life of the deodorizing cartridge is based on average hours of use by a family of four, two males and two females.

CAUTION

The deodorizing fan is installed behind the deodorizer cartridge enclosure. Please do not place your finger or anything other than the deodorizing cartridge inside the enclosure.

*Doing so may cause an injury to your finger or equipment failure.

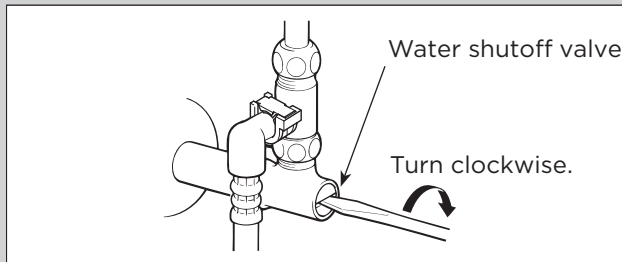
Cleaning the Filter

If the water pressure weakens over time, clean the filter using the following procedure.

Cleaning the filter

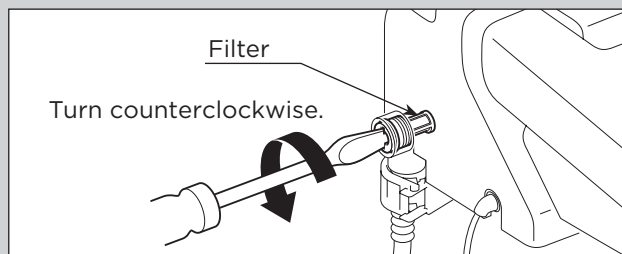
1. Close the water shutoff valve to cut off the water supply.

Since the water shutoff valve is adjusted beforehand, keep track of the turns so that you can return to the original position.



2. Turn the filter located on the bottom left of the seat unit using a screwdriver or similar tool and remove it.

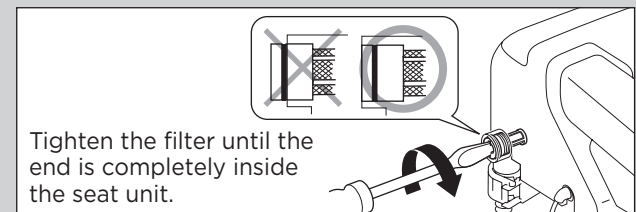
When the filter is removed, a small amount of water will pour out. Place a wash bowl or similar container underneath to catch the water.



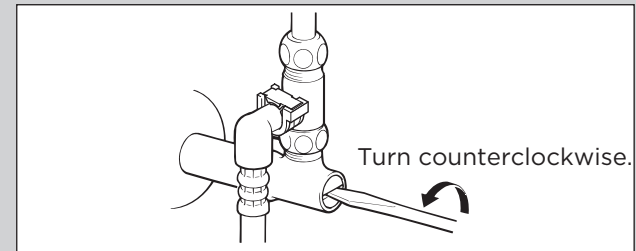
3. Remove the dirt adhering to the inside of the filter by rinsing it with water.



4. Install the filter, tightening it fully with a screwdriver or similar tool.



5. Open the water shutoff valve by turning the water shutoff valve back to its original position.



6. Finally, perform an operational check. (See page 18.)

CAUTION

When removing the filter, be sure to close the water shutoff valve. When installing the filter, tighten it fully until the line is completely inside the seat unit.

* Failure to do so could result in water leakage.

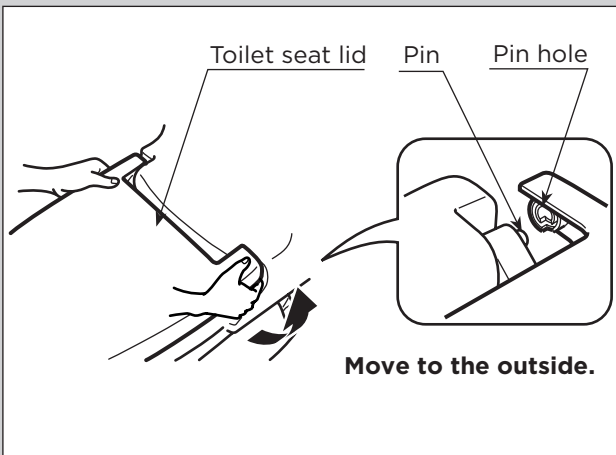
Cleaning the Area Covered by the Toilet Seat Lid

CAUTION

When cleaning this product, be sure to unplug the power plug from the wall outlet.

Removing the toilet seat lid

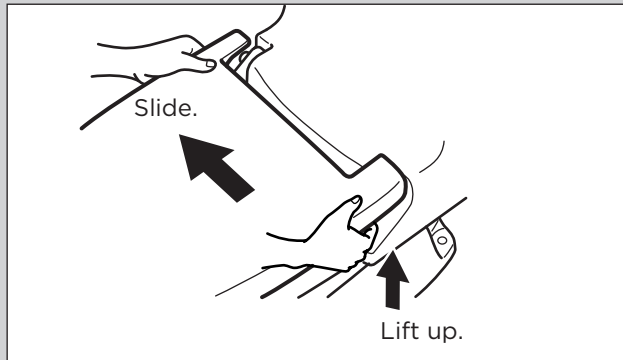
1. Move the pin hole on the right side of the toilet seat lid to the outside and remove it from the pin.



2. Hold the toilet seat up on the right side and slide it to the left, removing it from the pin on the left side.

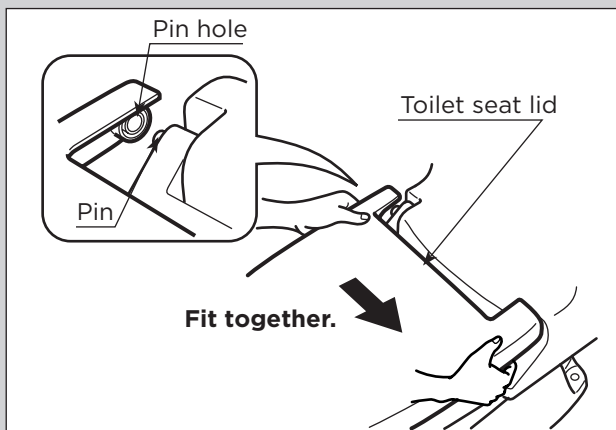
CAUTION

If you try to pull hard to remove the toilet seat lid, it could crack or break.

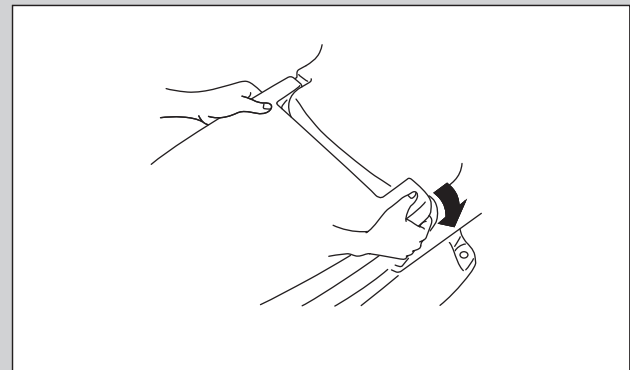


Installing the toilet seat lid

1. Align the pin hole on the left side of the toilet seat lid with the pin on the left side of the seat unit and fit the lid onto the pin.



2. Move the toilet seat lid to the right, opening it so the pin hole on the right side is outside the pin, and then fit the pin hole onto the pin to install the toilet seat lid.

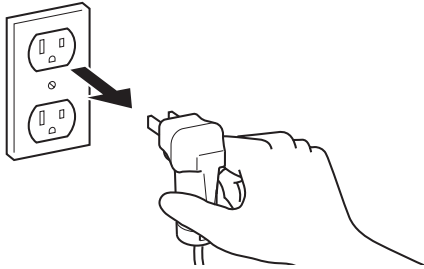


After cleaning, plug the power plug into the outlet and check to make sure the water temperature and toilet seat temperature indicator LEDs are once again illuminated.

Cleaning the Areas of the Toilet That Are Covered by the Seat Unit

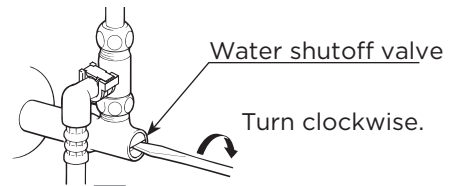
1. Removing the seat unit

1. Remove the power plug from the wall outlet. (See caution 1.)

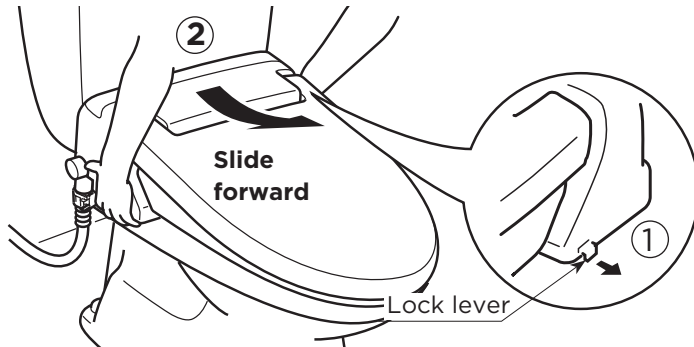


2. Close the water shutoff valve to cut off the water supply. (See caution 2.)

Since the water shutoff valve is adjusted beforehand, keep track of the turns so you can return the valve to its original position.

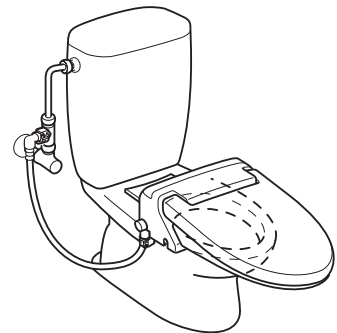


3.
 - ① Pull the lock lever on the right side of the seat unit.
 - ② Slide this product forward, **raise it slightly**, and remove it from the toilet. (See caution 2, 3 and 4.)



* When removing this product, slide the unit slowly without holding the toilet seat or toilet seat lid. Do not use excessive force.

4. Carefully place the seat unit on the rim of the toilet bowl.



CAUTION

1. Remember to remove the power plug from the wall outlet.

* If the water heater operates with no water in the tank, it could cause smoke or fire.

2. Be sure to drain the water out of the warm water tank.

* If there is still water in the tank, it could leak out.

3. Do not pull on any cord or water supply hose.

* Doing so may lead to damage or a water leak.

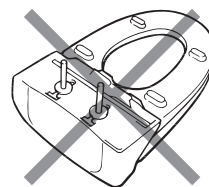
4. Carefully handle the seat unit when removing or cleaning.

* Failure to do so may lead to water leakage.

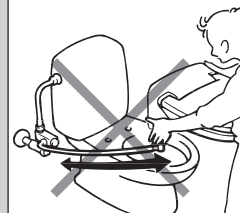
5. Never turn the seat unit upside down while it is connected to the power supply.

* It could cause damage to this product.

* Do not reverse
* Do not place on the floor.

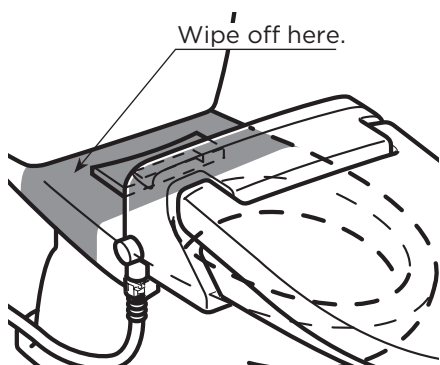


* Do not pull.



2. Cleaning

Wipe the seat unit clean using a soft cloth dampened with water.



* See the user's manual for details on cleaning the toilet bowl.

! DANGER

Do not pour water or cleanser inside this product. Do not splash water on the seat unit or the power plug.

* There is danger of electric shock or fire.

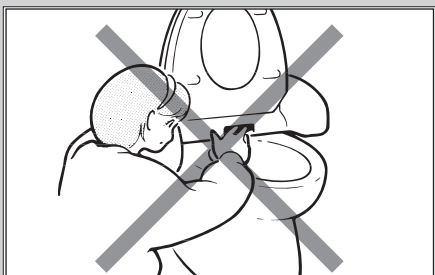
CAUTION

When cleaning the toilet bowl, take care not to splash the seat unit with detergent. Before installing the seat unit, wipe the detergent off from the toilet bowl using a cloth dampened with water.

* Leaving detergent on the seat unit may lead to product failure.

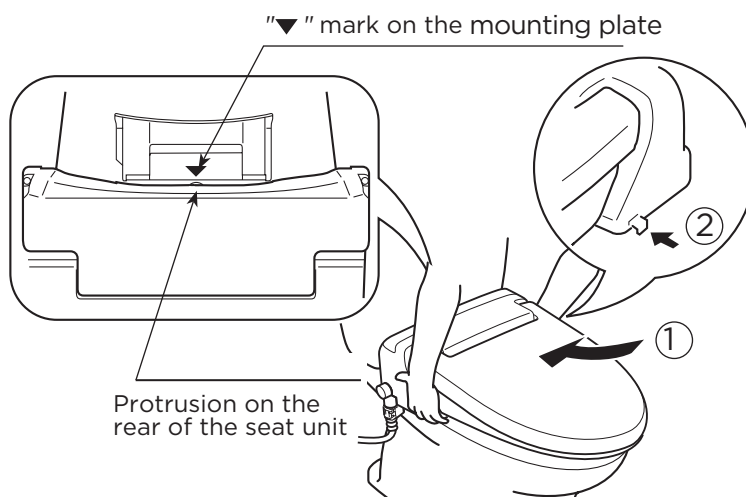
Do not put your hand or any object inside the air outlet or around the nozzle.

* Doing so may injure your hand or lead to product failure.



3. Assembling the Seat Unit

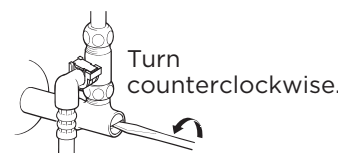
1. Place the seat unit on the toilet bowl. Align the inverted triangle mark (▼) on the mounting plate with the protrusion on the rear of the seat unit.



2. **Slightly raise the front of the seat.** Slide the seat on to the mounting plate. Push the lock lever to secure the seat.
 - * If this product is not pushed all the way back, the lock lever cannot be pushed back in.
 After locking this product in place, shake it slightly back and forth and left and right, making sure it has been securely locked in place.

3. Open the water shut-off valve to its original position and run water through this product.

* Make sure water is not leaking from any of the joints.



4. Insert the power plug into the outlet. At this time, check to make sure the water temperature and seat temperature indicator LEDs are illuminated.

5. After completing the assembling, perform an operational check. (See page 18.)

CAUTION

Check that the seat unit has been completely locked in place.

* If not, the seat unit may slide off the toilet bowl.

Do not bend any hose using excessive force.

* Doing so may permanently deform it or cut off the water supply.

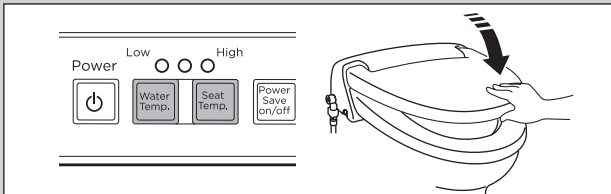
Preventing Freezing

In freezing conditions, the water in this product may freeze and cause damage. If there is danger of water lines freezing, implement the following freeze prevention method to prevent damage.

Leave the power plug in the wall outlet.

General freeze prevention measures

1. Set the water temperature on Hi, the seat temperature on Hi, and close the toilet seat lid.

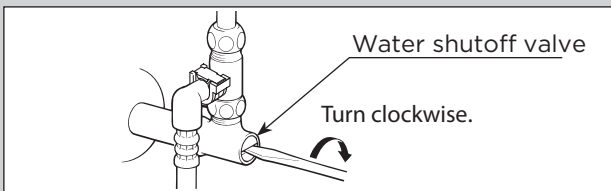


2. Heat the bathroom.

If the bathroom cannot be heated, drain the water out of the water supply hose using the following procedure.

- (1) Close the water shutoff valve to cut off the water supply.

Since the water shutoff valve is adjusted beforehand, keep track of the turns so you can return the valve to its original position afterwards.



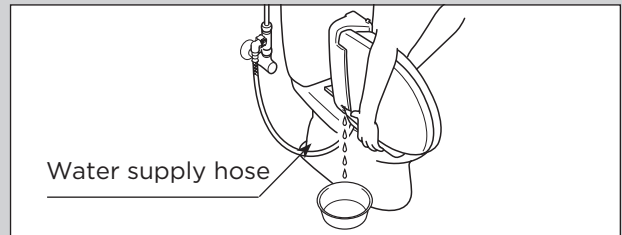
(See caution on next page.)

- (2) If unable to heat the bathroom, drain the water from the water supply hose.

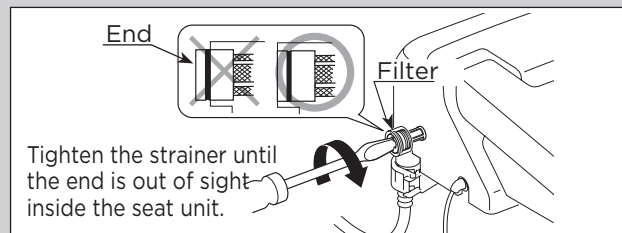
- 1) Place a wash bowl or similar container underneath the filter.
- 2) Remove the filter using a screwdriver.



- 3) Remove the seat unit from the toilet. (See page 36.)
- 4) Tilt the seat unit and drain out the water from inside the seat unit water supply hose through the filter installation opening.



- 5) After draining out the water, install this product onto the toilet bowl. (See page 37.)
- 6) Tighten the filter securely using a screwdriver.



Tighten the strainer until the end is out of sight inside the seat unit.

3. Cover the seat sensor with your hand and press the wash button in order to drain the water from the valve located inside the body.

After approximately 5 seconds, press the STOP button.

4. When using the toilet again, be sure to perform an operational check. See page 18.

! WARNING

If there is risk of water lines freezing, implement the freeze prevention methods to prevent damage.

* The water in this product could freeze and cause damage, resulting in electric shock, fire and water leakage.



COMPULSORY

! CAUTION

When removing the filter, be sure to close the water shutoff valve. When installing the filter, tighten it fully until the line is out of sight inside the seat unit.

* Failure to do so could result in water leakage.



COMPULSORY

Thawing Frozen Water Supply

If the water in the seat unit water supply hose or in the water supply connection freezes, and the wash or bidet does not spray water, the hose or connection must be thawed. To thaw the hose or connection gradually, increase the air temperature in the room. To thaw the hose or connection more quickly, apply a cloth dipped in warm water directly to the hose or connection.

CAUTION: Do not apply hot water or hot air to the water supply hose. This could damage the water supply hose, causing it to leak.

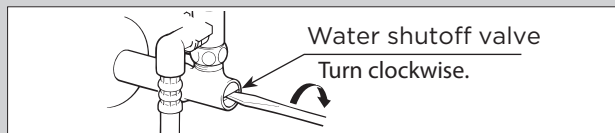
Draining This Product During Periods of Extended Disuse

If this product will not be used for an extended time, follow these procedures to drain the water from this product.

CAUTION: Water left in this product for an extended period can become contaminated and clog this product, or it can freeze. In either case, this product could be damaged.

Draining the water and disconnecting the power

1. Close the water shutoff valve to stop the flow of water.



2. Drain the water from the tank using the flush lever.

3. Remove the power plug from the wall outlet.

4. Drain the water from the water supply hose.

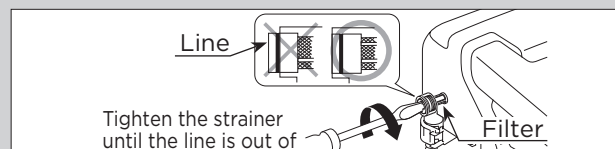
- 1) Place a wash bowl or similar container underneath the filter.
- 2) Remove the filter with a screwdriver or similar tool.



- 3) Remove the seat unit from the toilet. See page 14.
- 4) Tilt the seat unit and drain out the water from inside the seat unit water supply hose through the filter installation opening.

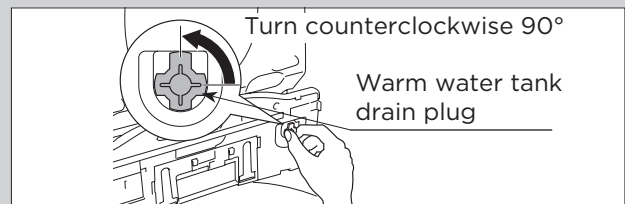


- 5) After draining out the water, close the filter tightly using a screwdriver.

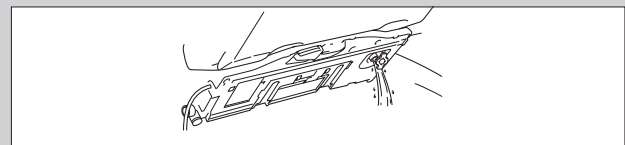


5. Remove the warm water tank drain plug and drain the water from the warm water tank.

- 1) Loosen the water drain plug on the seat unit of this product by turning it counterclockwise 90 degrees.



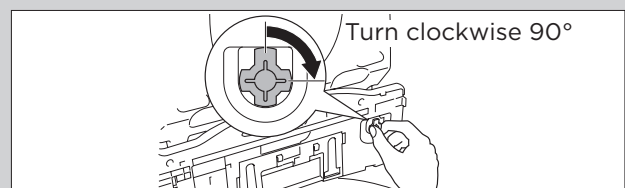
- 2) Pull out the water drain plug, tilt the seat unit forward, and drain all the water from the warm water tank.



CAUTION Do not attempt to drain the water from this product with the seat unit in this position.

* Water could penetrate inside the mechanism and cause damage.

- 3) After draining the water, turn the water drain plug clockwise 90 degrees to close it.



- 4) Install this product onto the toilet bowl. (See page 37.)

6. Prior to using the toilet again, be sure to perform an operational check. See page 18.

⚠ WARNING

When not using this product for an extended period of time, be sure to drain the water from this product.

- * The water in this product could freeze and cause damage, resulting in electric shock, fire and water leakage.
- * The water could become dirty and cause skin inflammation.

⚠ CAUTION

When removing the filter, be sure to close the water shutoff valve. When installing the filter, tighten it fully until the line is out of sight inside the seat unit.

- * Failure to do so could result in water leakage.

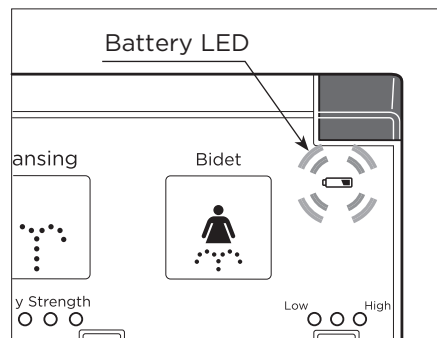
Replacing the Remote Control Batteries

As the batteries weaken, the battery LED will begin to flash.

* Usually, the battery LED will extinguish.

* The batteries provided with this product have been used to perform operational checks during the manufacturing, so their service life may be shorter than that of batteries available on the market.

* Depending on the size of the room, the wall finish and color (particularly dark colors), the remote control unit may stop functioning before the battery LED begins to flash.

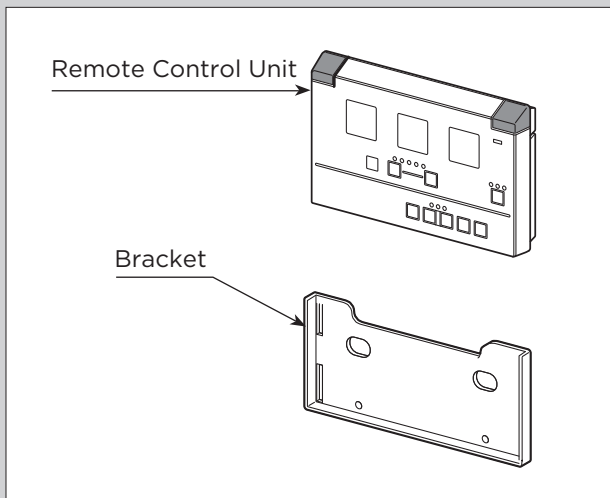


Replace the batteries with new ones using the following procedure.

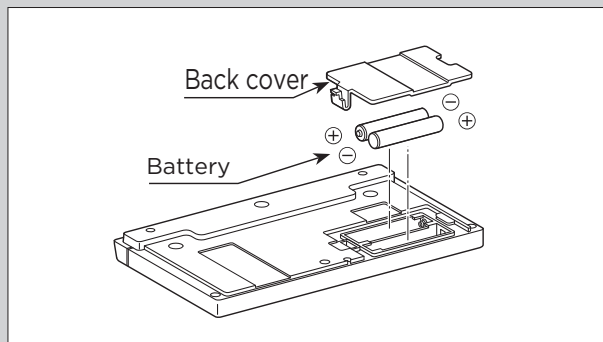
CAUTION: Correctly install the batteries with the positive (+) and negative (-) terminals facing the directions as shown on the remote control unit case. Do not mix old and new batteries. Only use alkaline batteries.

Replacing the remote control batteries

1. Lift the remote control unit and remove it from its bracket.



2. Remove the back cover and replace the batteries with new ones (four 1.5V AA alkaline batteries).



3. Replace the back cover, and place the remote control unit back in its bracket.



Troubleshooting

You can easily correct some of the problems with this product. Before requesting repairs, please check the following items.

If you are unable to correct the problem using the troubleshooting procedures shown below, please contact your local customer service representative.

All functions

Symptom	Cause	Remedy
The system will not operate at all.	Electricity is not being supplied to the power outlet.	Check for a power failure or tripped breaker, etc.
	The power switch is off. The power LED on the indicator panel is off.	Press the Power button for 2 seconds and get the power indicator LED on the seat unit to light up. See page 25.
	The power plug is not plugged into the wall outlet.	Plug the power plug into the wall outlet.
	Current is leaking.	Unplug the power plug from the wall outlet, wait a few minutes, and insert the plug in the outlet again. If it still does not operate, unplug the power plug and request repairs.
	Remote control's light transmitter or seat unit's light receiver is dirty.	Remove the dirt.
	The batteries in the remote control are exhausted.	Replace the batteries with new batteries. See page 41.

Rear cleansing and front cleansing

Symptom	Cause	Remedy
Water does not spray out.	The water shutoff valve is closed.	Turn the water shutoff valve counterclockwise.
	The filter is clogged.	Clean the filter. See page 34.
	Dirt or water drops are covering to the seat sensor.	Remove the dirt or water drops from the sensor. See page 23.
	Tap water pressure is low. Spray strength is set to "Lo".	Set the spray strength to a higher level. See page 26.
	The seat sensor is not on.	Sit back fully on the toilet seat, or change the way you sit on the toilet. See page 23.
	Certain clothing is difficult for the seat sensor to detect even if the seat is occupied.	Place your hand close to the seat sensor. See page 23.
	The warm water tank is empty.	Carry out an operational check. See page 18.

Rear cleansing and front cleansing (continued)

Symptom	Cause	Remedy
Spray water is not warm.	Water temperature is not set to an appropriate temperature.	Adjust the water temperature to the appropriate level. See page 25.
	The Cleansing or bidet function was used for a long period of time.	The water takes about 3 minutes to warm back. See page 23.
	Power save is activated.	Disable power save. See page 29.

Warm air drying

Symptom	Cause	Remedy
Drying function does not operate.	The seat sensor is not on.	Sit back fully on the toilet seat, or change the way you sit on the toilet. See page 23.
	Certain clothing is difficult for the seat sensor to detect even if the seat is occupied.	Place your hand close to the seat sensor. See page 23.
Dryer air is not warm.	Air temperature is not set to an appropriate level.	Press the Dryer button and set the air temperature to the appropriate level. See page 28.
Warm air stops suddenly before finishing.	The drying function has been used for 4 minutes or longer.	Press the Dryer button again. See page 28.

Deodorizing

Symptom	Cause	Remedy
The deodorizing fan does not switch off.	Is any paper covering the seat sensor?	Please remove any paper blocking the seat sensor.

Heated toilet seat

Symptom	Cause	Remedy
The toilet seat is not warm.	Seat temperature is not set to an appropriate level.	Adjust the seat temperature to the appropriate level. See page 25.
	Power save is activated.	Disable power save. See page 29.
After sitting for a while, the toilet seat begins to cool off.	The seat heater auto off function is operating.	Disable the toilet seat heater auto-off function. See page 30.

Others

Symptom	Cause	Remedy
The seat unit chatters and moves out of its correct position.	The seat unit is not locked.	Push the seat unit farther back and lock it in position. See page 37.
The power LED is flashing.	The flashing LED function has malfunctioned.	It is broken. Pull the power plug from the wall outlet and request repairs.
	There is trouble either with the warm water or the toilet seat functions. Or it is time to perform maintenance on the toilet.	A malfunction has occurred, or it is time to perform maintenance. Unplug the power plug from the power outlet, and call for repairs.

WARNING: A damaged or overheated power plug or cord, or a loose or overheated wall outlet, could cause injury or damage the product. If this occurs, remove the power plug from the wall outlet, contact us, and discontinue using this product until the situation has been corrected.

WARNING: Do not allow anyone except an authorized service technician to disassemble, repair, or modify this product. Doing so could result in electric shock, fire, or cause this product to malfunction and/or cause injury to users.

After-sales Service

1. Before Requesting Repairs

If this product breaks down, see "Troubleshooting" on page 62. Contact your local customer service representative. Furthermore, even if the product is operating properly, contact a service facility in the following cases.

- If there are any points that are unclear even though the product is being used in accordance with the user's manual.
- If the power cord is damaged or the outlet is loose.
- The outlet or the power plug and power cord are overheating.

If any of the above situations occur, contact a service facility because if left uncorrected, otherwise, you run the danger of causing damage to the unit or injury to persons.

WARNING

- If the main unit, power plug, or power cord are damaged (abnormal noise, odor, smoke, high temperatures, cracking), unplug the power plug from the power outlet immediately, and have the part repaired.
* Failure to do so could cause electric shock or fire.
- If water is leaking from the main unit or from the water supply system, unplug the power plug from the power outlet and close the water shutoff valve.
* Failure to do so could cause an electric shock or fire, or it may result in flooding of the room.



COMPULSORY

WARNING

Only authorized service technicians are authorized to disassemble, repair or modify this product.
* There is a danger of electric shock, fire, and injury.



DO NOT
DISASSEMBLE

2. Read the Warranty

This product comes with a 2 year warranty. Keep your receipt as proof of purchase. Read the details of the warranty. Keep this information in a secure place.

3. Requesting repairs

Repairs within the warranty period

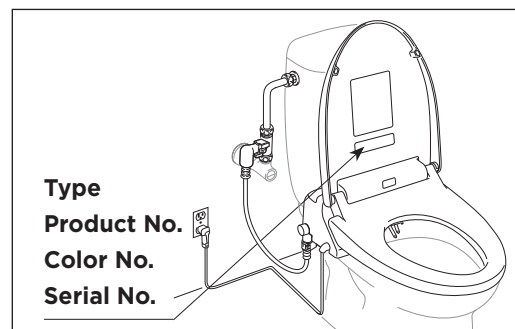
When requesting repairs, be sure to have your receipt available. You may need to send a copy of the receipt as proof of purchase.

Details you will be asked

1. Address, Name, Telephone No.
2. Type, Product No., Color No., Serial No.
(See the Product No. label on the reverse side of the toilet lid.)
3. Date of installation (See your Warranty Certificate.)
4. Description of malfunction or abnormal condition.
(Be as specific as possible.)
5. Preferred date for house call

Repairs after the warranty period has expired

Repairs requested after the warranty has expired will be performed at a cost. Charges for repairs include: Technical service fee + Parts costs.



4. If you want to know anything about the product or after-sales service

STOP

IF YOU HAVE ANY QUESTIONS, OR PARTS ARE DAMAGED OR MISSING, PLEASE DO NOT CONTACT, OR RETURN, THIS PRODUCT TO THE STORE.
PLEASE CONTACT YOUR LOCAL CUSTOMER SERVICE REPRESENTATIVE.
WE CAN TAKE CARE OF ANY QUESTION OR ISSUE YOU MAY HAVE.

Specifications

Type	D28005ARS141 (Elongated type)	
Water supply method	Direct connection to tap water	
Tap water pressure range	8.5 to 106.7psi (0.06 to 0.74 MPa, 0.6 to 7.5 kgf/cm ²)	
Maximum rating	AC 120 V, 301 W, 60 Hz	
Product dimensions	Width 16.8 in (426 mm) x Depth 21.5 in (547 mm) x Height 6.4 in (162 mm)	
Product weight	Approx. 8.9 lb (4.0 kg)	
Rear and front cleansing	Warm water tank capacity	Warm water storage 0.93 US qt. (0.88 L)
	Nozzles	Exclusive rear, front nozzles, auto slide type
	Nozzle holes	For rear cleansing: \varnothing 0.04 in (\varnothing 1.3 mm) x 2 holes, For the front cleansing: \varnothing 0.035 in (\varnothing 0.9 mm) x 10 holes.
	Rear cleansing spray volume	0.64 - 0.95 US qt. (0.6 to 0.9 L/min.) (adjustable in 5 stages)
	Front cleansing spray volume	0.64 - 0.95 US qt. (0.6 to 0.9 L/min.) (adjustable in 5 stages)
	Warm water heater capacity	250 W
	Warm water internal control temperature	Off (water temp.), Low (approx. 97 °F (36 °C)), Middle (approx. 100 °F (38 °C)), High (Approx. 104 °F (40 °C))
	Safety devices	Thermal fuses, High temperature sensor switch, Tank empty sensor circuit
Drying	Air volume	10.6 ft ³ /min. (0.3 m ³ /min.)
	Air heater capacity	130 W
	Air temperature adjustment	Low (room temp.), Middle, High
	Safety device	Thermal fuses
Toilet seat	Heater capacity	45 W
	Surface temperature	Off (room temp.), Low (Approx. 87 °F (30.5 °C)), Middle (Approx. 93 °F (34 °C)), High (Approx. 99 °F (37 °C))
	Temperature adjustment	4-steps selectable (micro-computer controlled)
	Safety device	Thermal fuse
Deodorization	Deodorizing method	Chemisorption using a deodorizing cartridge
	Deodorizing capacity	3.9 ft ³ /min. (0.11 m ³ /min.)
	Deodorizing cartridge service life	Approximately 7 years
Power save function	One-touch power save (auto recovery after 8 hours)	
Power cord	Effective length: 3.3 ft. (1.0 m)	
Ambient operating temperatures	32 °F (0 °C) to 104 °F (40 °C)	
Other functions	<ul style="list-style-type: none"> * Seat sensor * Seat unit sliding removal mechanism * Seat heater auto off * Toilet seat/toilet seat lid slow-down * Adjustable side-lined toilet seat * Toilet seat lid one-touch removal mechanism * Power switch * Included remote controller * Rear Pulsating washing 	

CAUTION

This product is authorized to be used in your country only. Use of this product in any other country is not authorized and should not be attempted.



LIMITED WARRANTY

This toilet comes with a three year warranty on all parts of the toilet. If inspection of this DXV by American Standard plumbing product, inclusive of the chinaware and all mechanical parts, confirms that it is defective in materials or workmanship, DXV by American Standard will repair or, at its option, exchange the product for the same or a similar model.

This limited warranty applies only to the original non-commercial purchaser and installation of the products. In the event of a limited warranty claim, proof of purchase will be required—save sales receipts.

For this warranty to become effective, the warranty registration process must be completed via the internet or telephone per the warranty registration instructions.

This limited warranty does not apply to commercial installations. The warranty for commercial installations is two years on the toilet.

This warranty does not apply to local building code compliance. Since local building codes vary considerably, the purchaser of the product should check with a local building or plumbing contractor to ensure local code compliance before installation.

This warranty will be void if the product has been moved from its initial place of installation; if it has been subjected to faulty maintenance, abuse, misuse, accident or other damage; if it was not installed in accordance with DXV by American Standard's instructions; or if it has been modified in a manner inconsistent with the product as shipped by DXV by American Standard. The warranty will be void if the product has failed as a result of worn-out of consumable parts such as packing, fuses, batteries.

WARNING: This warranty DOES NOT COVER any damages caused by the use of harsh cleaners. These products can seriously corrode the product components. This damage can cause leakage and property damage. DXV by American Standard will not be responsible or liable for any damage caused by the use of in-tank cleaners.

DXV by American Standard's option to repair or exchange the product under this warranty does not cover any labor or other costs of removal or installation including any costs of any surrounding material such as tile or marble. DXV by American Standard is not responsible for any other incidental or consequential damages attributed to a product defect. (Some states or provinces do not allow the exclusion or limitation of implied warranties, so this exclusion may not apply to you.)

This warranty gives you specific rights. You may have other statutory rights that may vary from state to state or province to province, in which case this warranty does not affect such statutory rights.



ENGLISH

How to register the warranty:

PLEASE COMPLETE DXV BY AMERICAN STANDARD WARRANTY REGISTRATION AND SAVE THIS WARRANTY INFORMATION.

IMPORTANT: Registration of the product must be completed for this warranty to become effective. your registration will make it easier to service your product.

INSTRUCTIONS: Register your toilet at www.DXV.com. Please save your point of purchase (sale receipt).

IF YOU HAVE ANY QUESTIONS, OR PARTS ARE DAMAGE OR MISSING, DO NOT CONTACT, OR RETURN, THIS PRODUCT TO THE STORE. CONTACT CUSTOMER SERVICE AT DXVCustomerCare@DXV.com OR TOLL FREE AT OUR GLOBAL HEADQUARTERS. CUSTOMER SPARE COMPONENTS PAGE CAN BE FOUND AT www.DXV.com.



In the United States:

DXV by American Standard
One Centennial Avenue
Piscataway, New Jersey 08855
Attention: Director of Customer Care

For residents of the United States, warranty information may also be obtained by calling the following toll free number: (800) 227-2734 www.DXV.com

In Canada:

DXV by American Standard
5900 Avebury Road
Mississauga, Ontario
L5R 3M3
Canada

Toll Free: 1-800-387-0369
Local: 905-306-1093
Fax: 1-800-395-1498
www.DXV.ca

In Mexico:

DXV by American Standard
Via Morelos 330
Col. Santa Clara Coatitla
Ecatepec, Estado de México 55540

Toll Free: 01-800-8391200
www.DXV.mx