

Service Manual

Parts List



TABLE OF CONTENTS

RESIDENTIAL

AIR EXCHANGER

AEV1000 Series	3
----------------------	---

HEPA Units	4
------------------	---

HEAT RECOVERY VENTILATORS

VERTICAL UNITS

VH704	5
-------------	---

VHR704	6
--------------	---

VHR70R	7
--------------	---

Flex100H	8
----------------	---

VHR100R	9
---------------	---

VHR150	10
--------------	----

VHR150R	11
---------------	----

VHR2004/VHR2005R	12
------------------------	----

VHR200R-EC	13
------------------	----

HORIZONTAL UNITS

SH704	14
-------------	----

SHR Series	15
------------------	----

SHR3005R	16
----------------	----

SHR3205R	17
----------------	----

FLAT UNIT

Fit120H	18
---------------	----

ENERGY RECOVERY VENTILATORS

VERTICAL UNITS

VER150	19
--------------	----

HORIZONTAL UNITS

SE704	20
-------------	----

SER1504/SER2004	21
-----------------------	----

SER3204D/3204N	22
----------------------	----

FLAT UNIT

Fit120E	23
---------------	----

COMMERCIAL

HEAT RECOVERY VENTILATOR

SHR6904	24
---------------	----

SHR6905R	25
----------------	----

SHR8004	26
---------------	----

SHR8005R	27
----------------	----

SHR11004	28
----------------	----

SHR11005R	29
-----------------	----

SHR14104	30
----------------	----

SHR14105R	31
-----------------	----

ENERGY RECOVERY VENTILATORS

SER6004	32
---------------	----

SER9504	33
---------------	----

SER13004	34
----------------	----

DISCONTINUED PRODUCTS

VHR704R	35
---------------	----

VHR1404/904/VHR1405R	36
----------------------------	----

VHR150R-ROUND	37
---------------------	----

FIT120H	38
---------------	----

SER1504N/SER2004N	39
-------------------------	----

SER3204N	40
----------------	----

SER5504N	41
----------------	----

SER8504N	42
----------------	----

SER11504N	43
-----------------	----

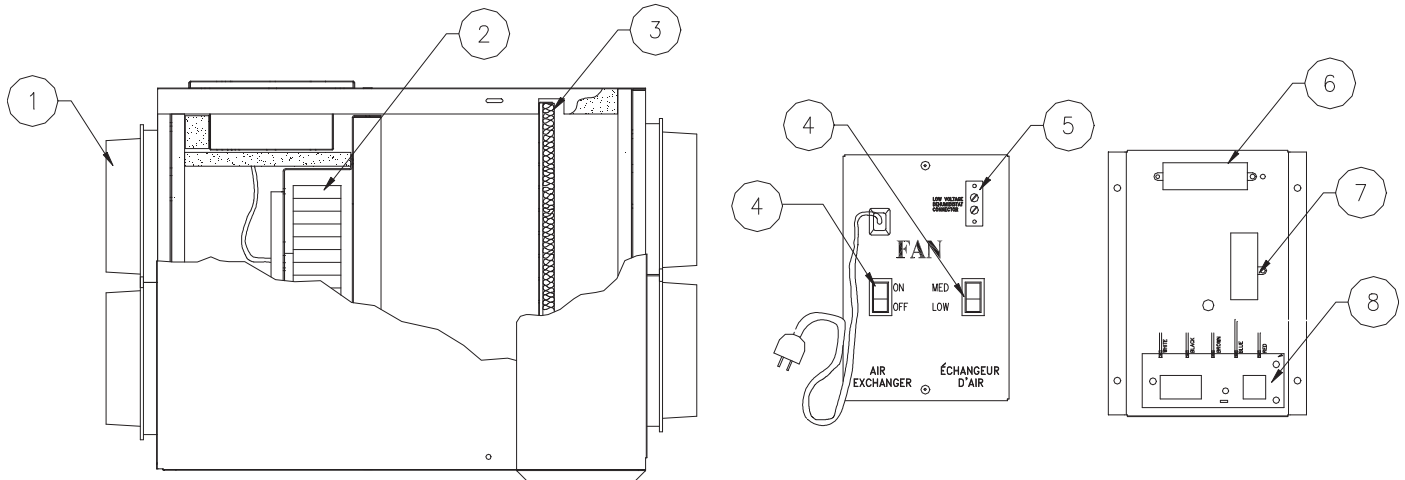
SER5504	44
---------------	----

SER8504	45
---------------	----

SER11504	46
----------------	----

AEV1000

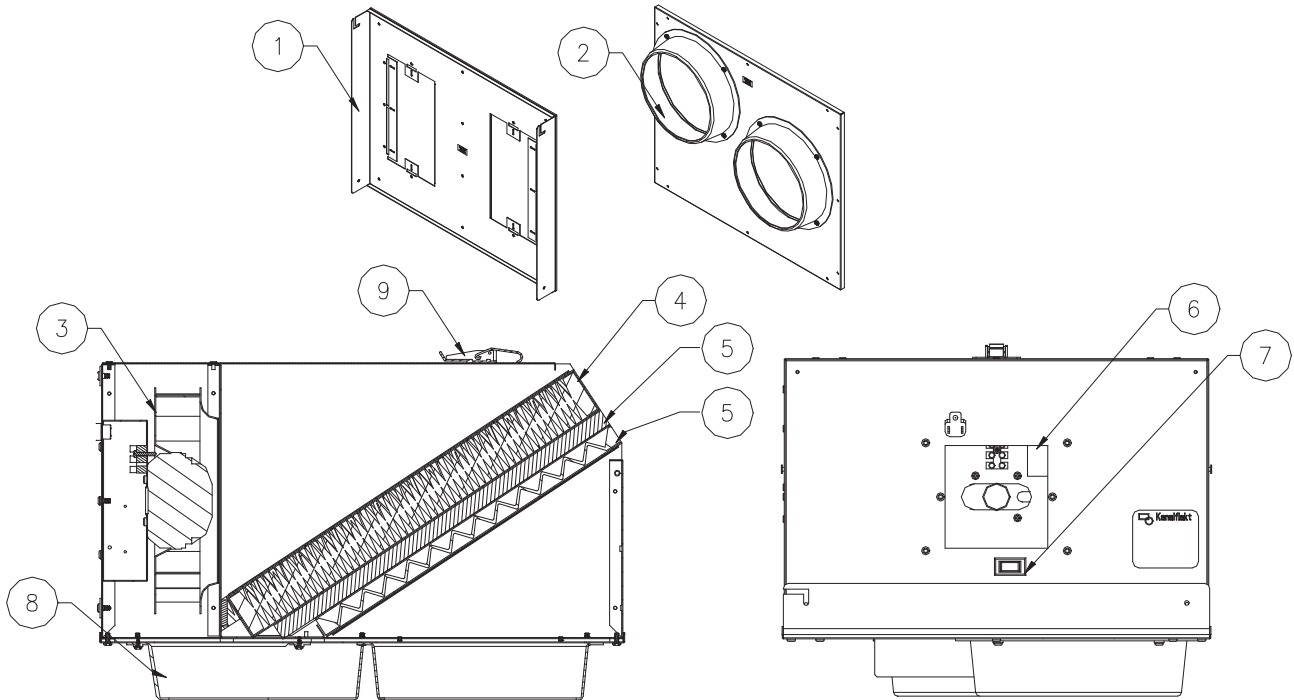
Air Exchanger



BOM #	Description	AEV1000 (40146)
1	Collar 5"	410529
2	Motor Assembly	405520
3	Synt. Filter	40187
4	Control Switch	410212
5	2 Pos. Terminal	401059
6	Auto-Transformer	422710
7	Capacitor, 6uF	411222
8	Relay Board	410364
	Wiring Diagram	401387
	Installation Manual	401334

HEPA Units

Whole House Filtration



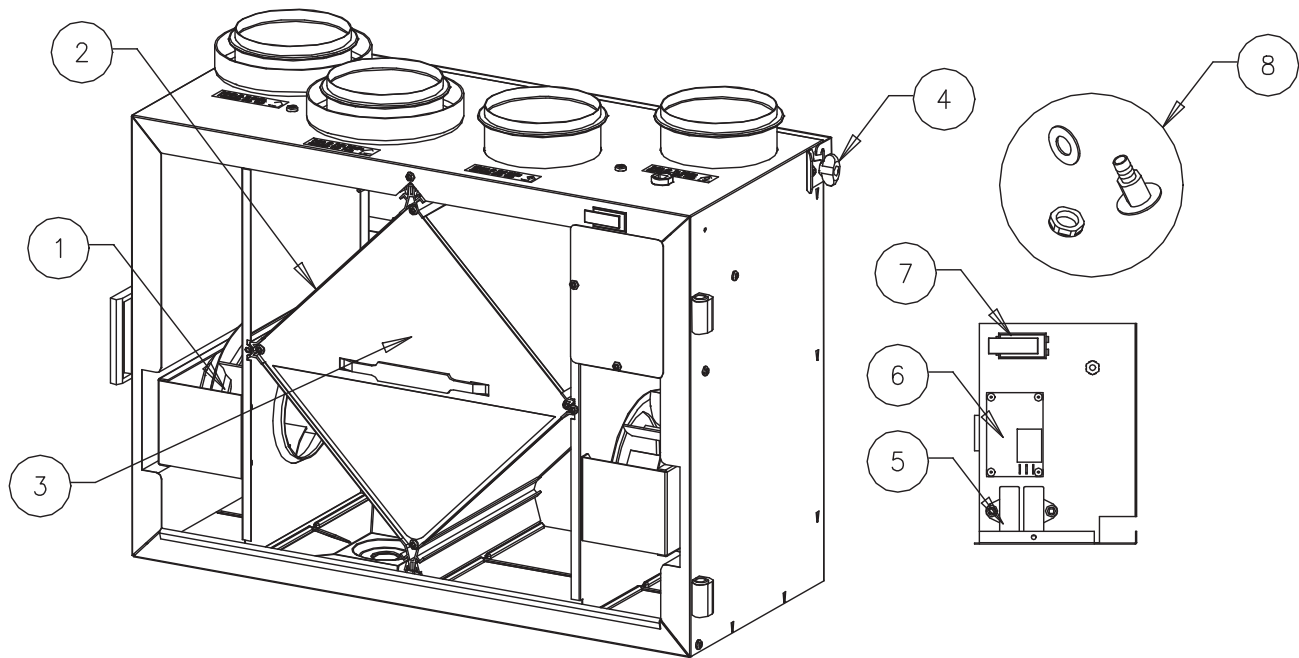
BOM #	Description	CM2000i (44928)	CM3000I (40220)	CM3000 (40219)	DM3000P (40217)
1	Duct Plate Adapter	NA	NA	401462	401462
2	Collar Plate Adapter	401597	401597	NA	NA
3	Motor Assembly (motor only)	40323	40323	40323	40323
4	Hepa Filter*	40193	40193	40193	40193
5	Pre-Carbon Filter**	40195	40195	40195	40195
	MERV13 Filter, 25pcs	44930	NA	NA	NA
6	Capacitor, 10uF	410040	410040	410040	410040
7	Control Switch	NA	NA	NA	410213
8	Collar, 8"	410533	410533	NA	NA
9	Latch	410312	410312	410312	410312
	Pressure Switch	NA	NA	NA	411226
	Insulation Kit	411398	411398	NA	NA
	Wiring Diagram	401585	401585	401585	401461
	Installation Manual	422526	401482	401482	401451

* Hepa Filter Box of 12Pcs40194

•• Pre-Carbon Filter Box of 24Pcs40196

VH704

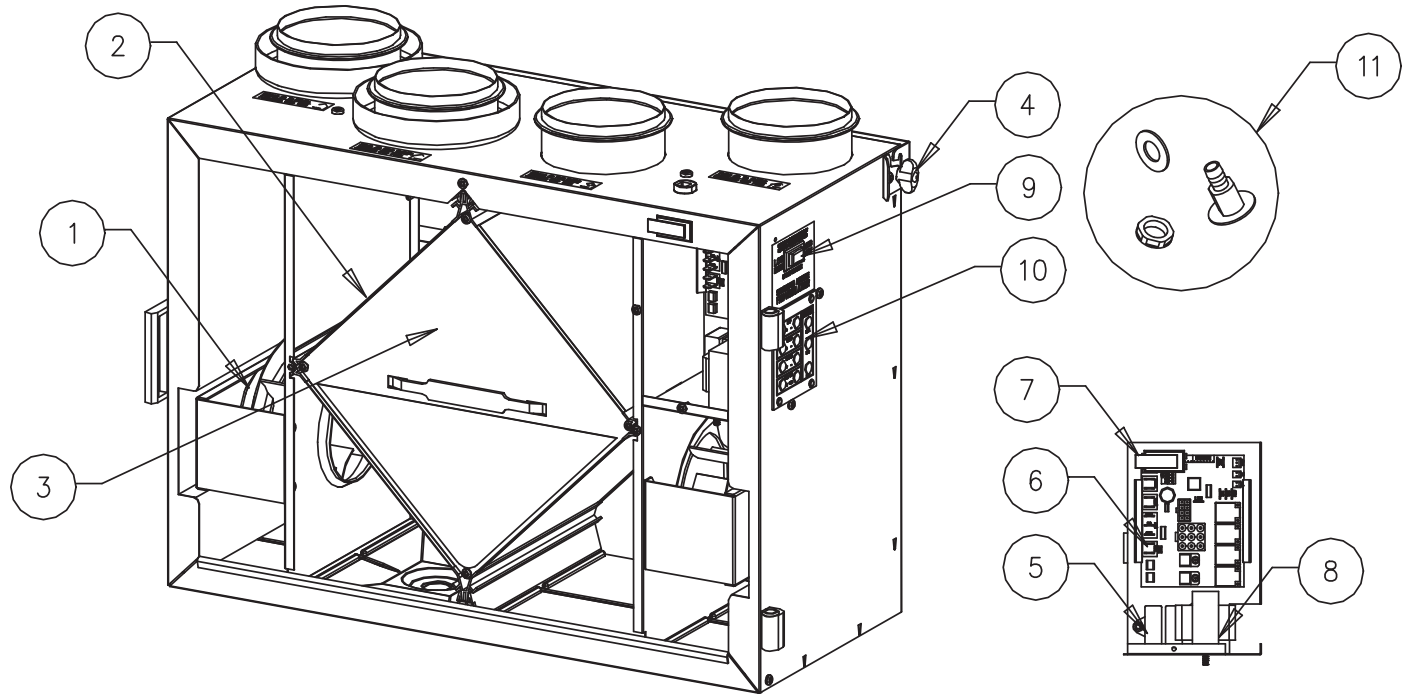
Heat Recovery Ventilator



BOM #	Description	VH704 (40358)
1	Motor, R2E 133-BH94-18	404378
2	Electrostatic Filters Kit 8" x 8.3"	405116
3	Heat Recovery Cell 8.5" x 8.5" x 8"	404350
4	Wing Screw 10-32	412070
5	Capacitors 2uF	412315
6	PCB	412072
7	Door Switch	410867
8	Kit Drain Plug	40315
	Temperature Probe	40286
	Door Assembly	420438
	Kit, Wall Bracket	409722
	Wiring Diagram	403135
	Installation Manual	403165

VHR704

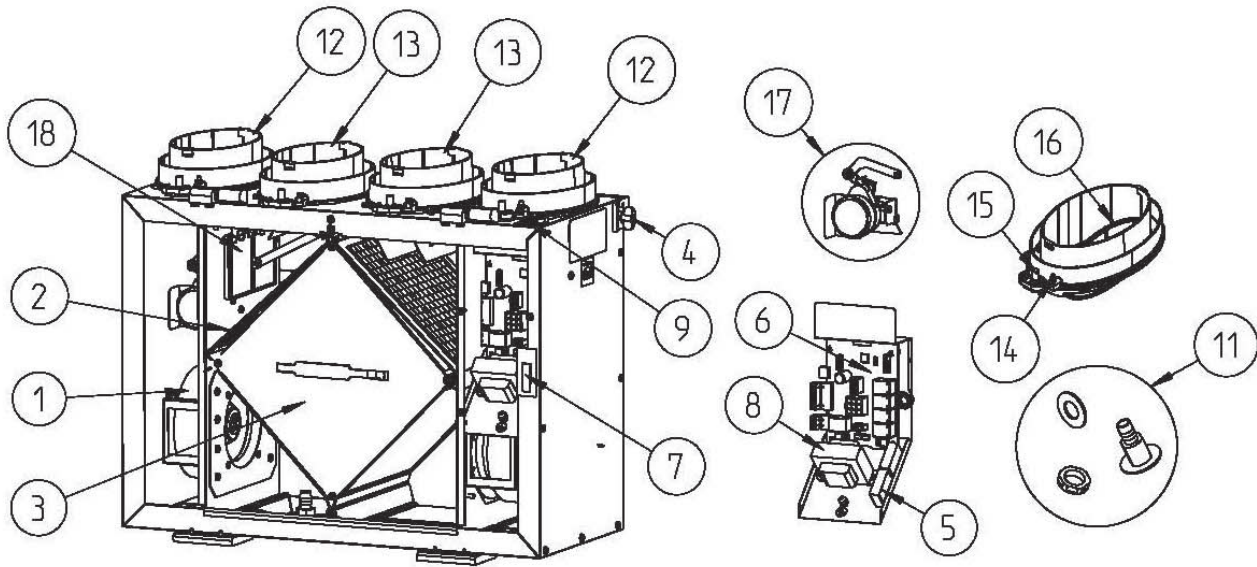
Heat Recovery Ventilator



BOM #	Description	VHR704 (40392)
1	Motor, R2E 133-BH94-18	404378
2	Electrostatic Filters Kit 8" x 8.3"	405116
3	Heat Recovery Cell 8.5" x 8.5" x 8"	404350
4	Wing Screw 10-32	412070
5	Capacitors 2uF	412315
6	PCB, UNICTRL	402004
7	Door Switch	410867
8	Auto-Transformer	411963
9	Control Switch	410213
10	PCB, Wiring Panel	411719
11	Kit Drain Plug	40315
	Temperature Probe	40286
	Kit, Wall Bracket	409722
	Door Assembly	420438
	Wiring Diagram	403334
	Installation Manual	403409

VHR70R

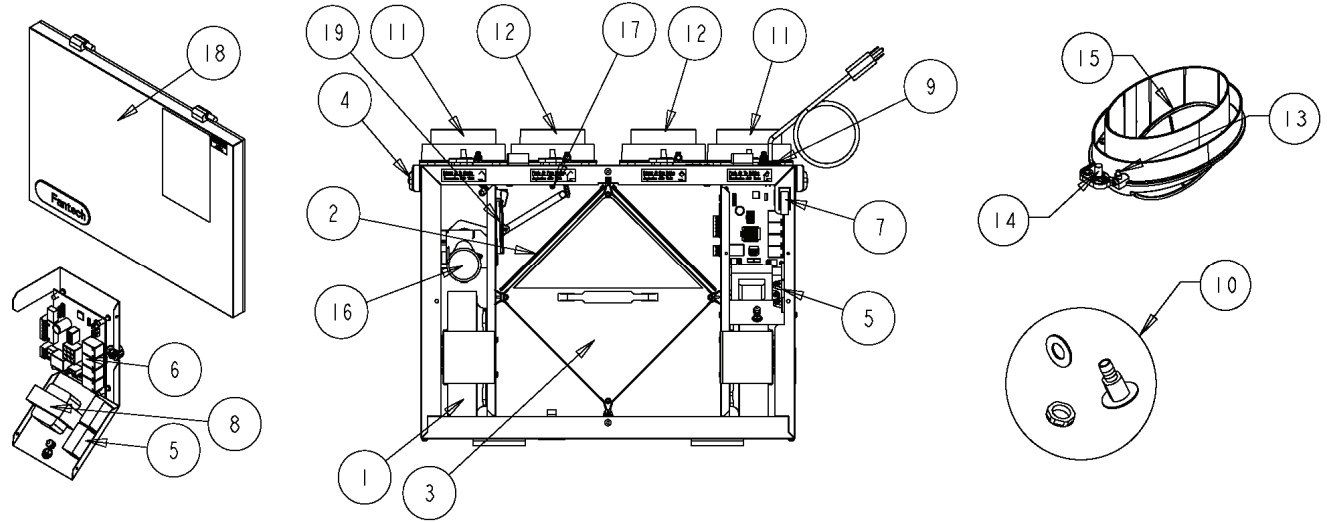
Heat Recovery Ventilator



BOM #	Description	VHR70R (44695)
1	Motor, R2E 133 Radical replacement kit	420307
2	Electrostatic Filters Kit 8" x 8.3"	405116
3	Heat Recovery Cell	409933
4	Wing Screw 10-32	412070
5	Capacitors 5uF	410220
6	Kit, PCB Replace, RV-AC, VHR70R	420312
7	Door Switch	410867
8	Auto-Transformer	411963
9	Control Switch	410213
11	Kit Drain Plug	40315
12	Collar 5", Oval, w/Stop	412826
13	Collar 5", Oval, wo/Stop	412827
14	Screw, Set, Slotted, 8-32 x 5/16"	412836
15	Cap, w/Tab, Plastic, tapered	412839
16	Damper, 5", Oval	412831
17	Damper Motor Assy, Repl.	420309
18	Damper door, Defrost, Repl Kit	405600
	Temperature Probe	40286
	Door Assembly	420438
	Kit, Wall Bracket	409722
	Wiring Diagram	409949
	Installation Manual	405335

Flex 100H

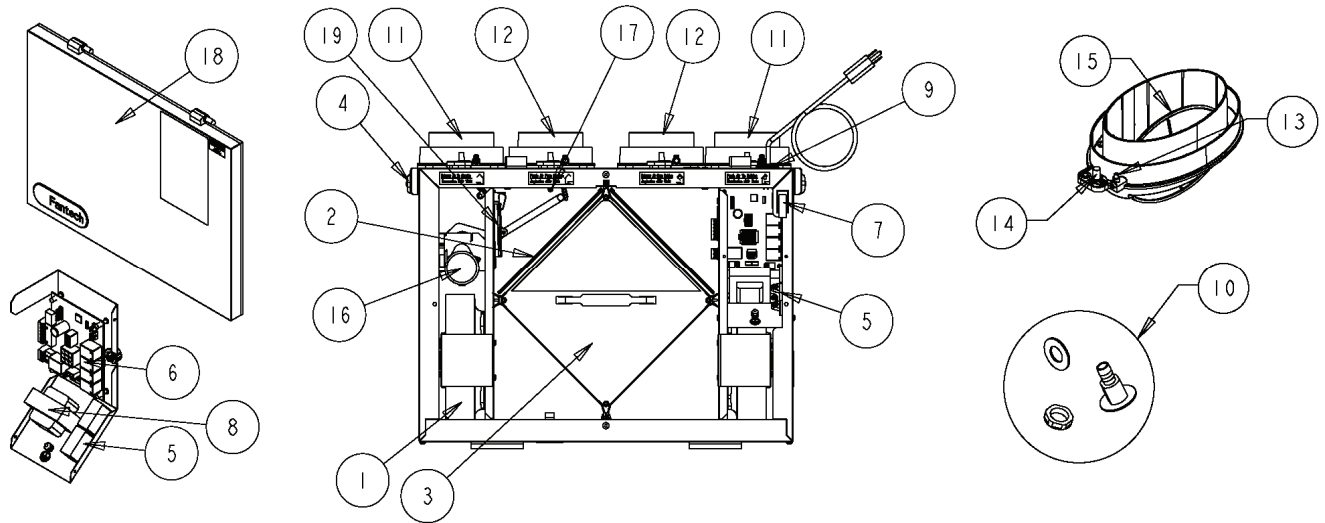
Heat Recovery Ventilator



BOM #	Description	FLEX100H (44001)
1	R2E 190 Radical, Rep. Kit	405520
2	Electrostatic Filters Kit	405577
3	Heat Recovery Cell 8.5" x 8.5" x 12"	405473
4	Wing Screw 10-32	412070
5	Capacitors 8uF	410012
6	PCB, RV-CTRL REV 1.5	420458
7	Door Switch	410867
8	Auto-Transformer	411963
9	Control Switch	410213
10	Kit Drain Plug	40315
11	Collar 5", Oval, w/Stop	412826
12	Collar 5", Oval, wo/Stop	412827
13	Screw, Set, Slotted, 8-32 x 5/16"	412836
14	Cap, w/Tab, Plastic, Tapered	412839
15	Damper, 5", Oval	412831
16	Damper Motor Assy, Repl.	405518
17	Temperature Probe	40286
18	Door Assembly	405519
19	Damper Door, Defrost, Repl Kit	405600
	Kit, Wall Bracket	409720
	Wiring Diagram	405492
	Installation Manual	405335

VHR100R

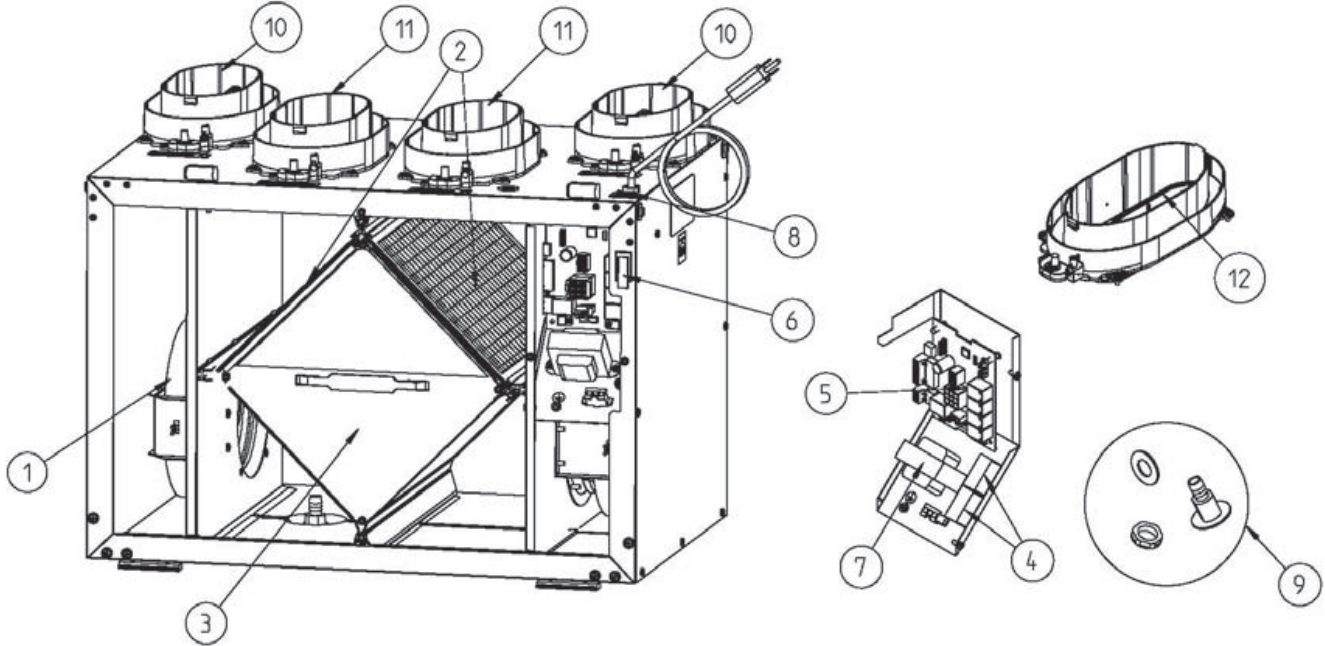
Heat Recovery Ventilator



BOM #	Description	VHR100R (44324)
1	R2E 190 Radical, Rep. Kit	405520
2	Electrostatic Filters Kit	405577
3	Heat Recovery Cell 8.5" x 8.5" x 12"	405473
4	Wing Screw 10-32	412070
5	Capacitors 8uF	410012
6	PCB, RV-CTRL REV 1.5	420458
7	Door Switch	410867
8	Auto-Transformer	411963
9	Control Switch	410213
10	Kit Drain Plug	40315
11	Collar 5", Oval, w/Stop	412826
12	Collar 5", Oval, wo/Stop	412827
13	Screw, Set, Slotted, 8-32 x 5/16"	412836
14	Cap, w/Tab, Plastic, Tapered	412839
15	Damper, 5", Oval	412831
16	Damper Motor Assy, Repl.	405518
17	Temperature Probe	40286
18	Door Assembly	405519
19	Damper Door, Defrost, Repl Kit	405600
	Kit, Wall Bracket	409720
	Wiring Diagram	405624
	Installation Manual	405335

VHR150

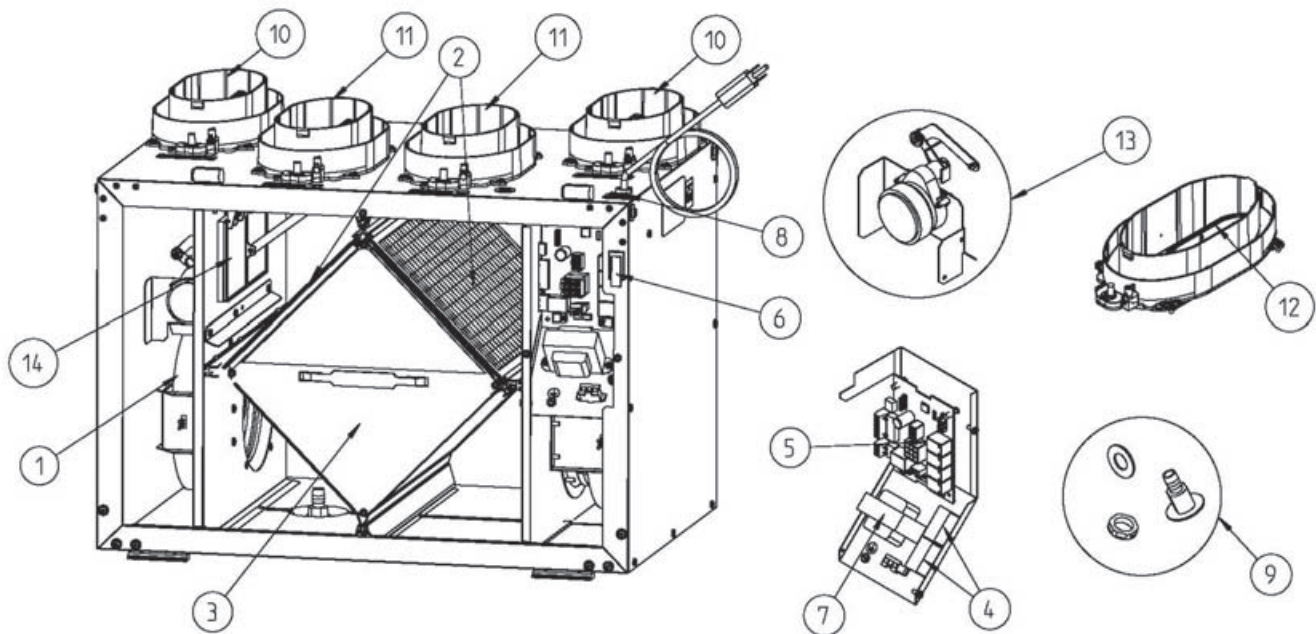
Heat Recovery Ventilator



BOM #	Description	VHR150 (44921)
1	R2E 190 Radical, Rep. Kit	405520
2	Electrostatic Filters Kit 8.5" x 15"	402041
3	Heat Recovery Cell 9" x 9" x 15"	402063
4	Capacitors 8uF	410012
5	PCB, RV-CTRL REV 1.5	420459
6	Door Switch	410867
7	Auto-Transformer	411963
8	Control Switch	410213
9	Kit Drain Plug	40315
10	Collar 6", Oval, w/Stop	413893
11	Collar 6", Oval, wo/Stop	413894
12	Damper Door, VHR150R	420462
	Temperature Probe	40286
	Door Assembly	405532
	Wiring Diagram	423054
	Installation Manual	422474

VHR150R

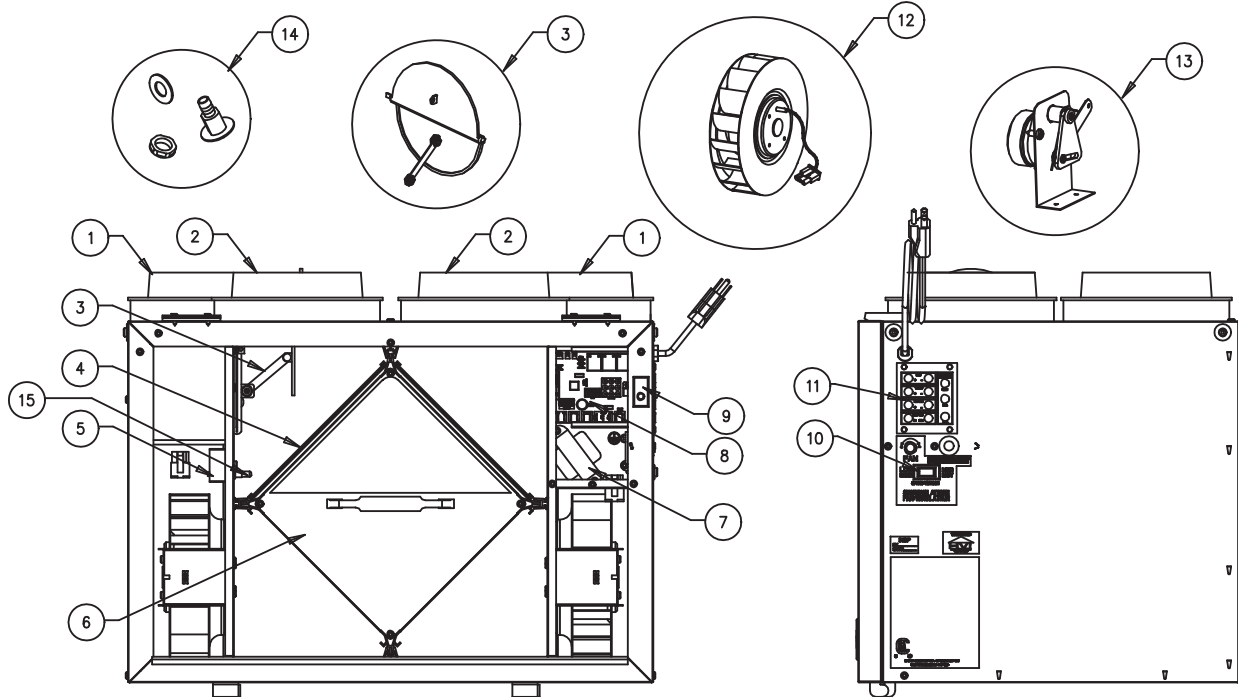
Heat Recovery Ventilator



BOM #	Description	VHR150R (44859)
1	R2E 190 Radical, Rep. Kit	405520
2	Electrostatic Filters Kit 8.5" x 15"	402041
3	Heat Recovery Cell 9" x 9" x 15"	402063
4	Capacitors 8uF	410012
5	PCB, RV-CTRL REV 1.5	420459
6	Door Switch	410867
7	Auto-Transformer	411963
8	Control Switch	410213
9	Kit Drain Plug	40315
10	Collar 6", Oval, w/Stop	413893
11	Collar 6", Oval, wo/Stop	413894
12	Damper Door, VHR150R	420462
13	Damper Motor Assy, Repl.	420461
14	Damper Door, Defrost, Repl Kit	420463
	Temperature Probe	40286
	Door Assembly	405532
	Wiring Diagram	408601
	Installation Manual	405335

VHR 2004 • VHR2005R

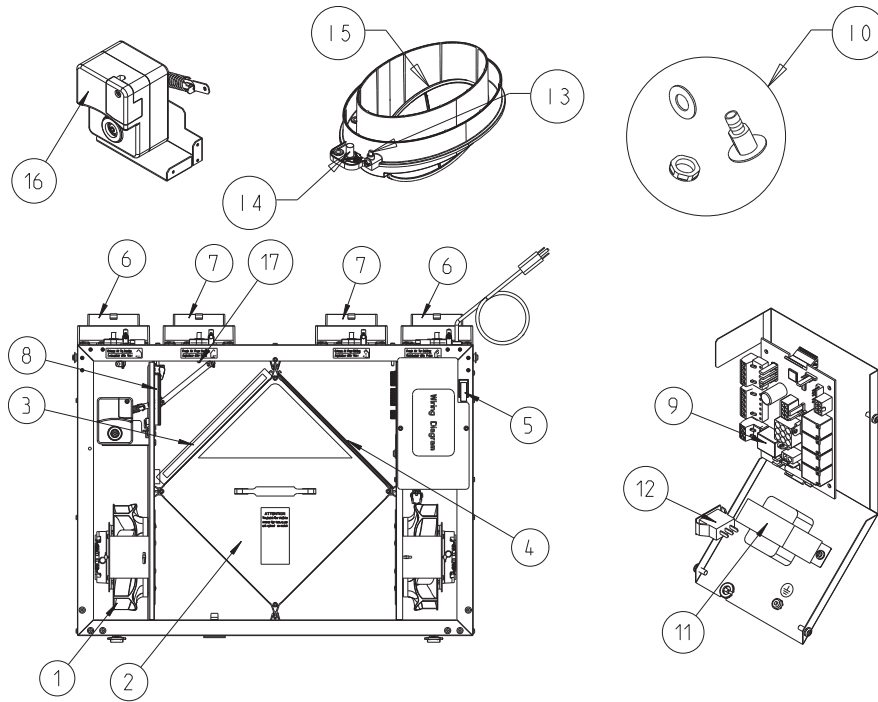
Heat Recovery Ventilator



BOM #	Description	VHR2004 (40061)	VHR2005R (40063)
1	6" Collar, 24mm Lip, VHR	400788	400788
2	6" Collar, 24mm Lip	410542	410542
3	Damper Door	NA	44915
4	Electrostatic Filters	40327	40327
5	Capacitors	410040	410040
6	Heat Recovery Cell	402064	402064
7	Auto-Transformer	411963	411963
8	Electronic Board	402004	402004
9	Door Switch	410867	410867
10	Control Switch	410213	410213
11	PCB, Wiring Panel	411719	411719
12	Motor Assembly	40323	40323
13	Damper Motor Assembly	NA	402547
14	Kit Drain Plug	40315	40315
15	Temperature Probe	40286	40286
	Door Replacement Kit	405533	405533
	Wiring Diagram	403336	403336
	Installation Manual	405190	405190

VHR 200R-EC

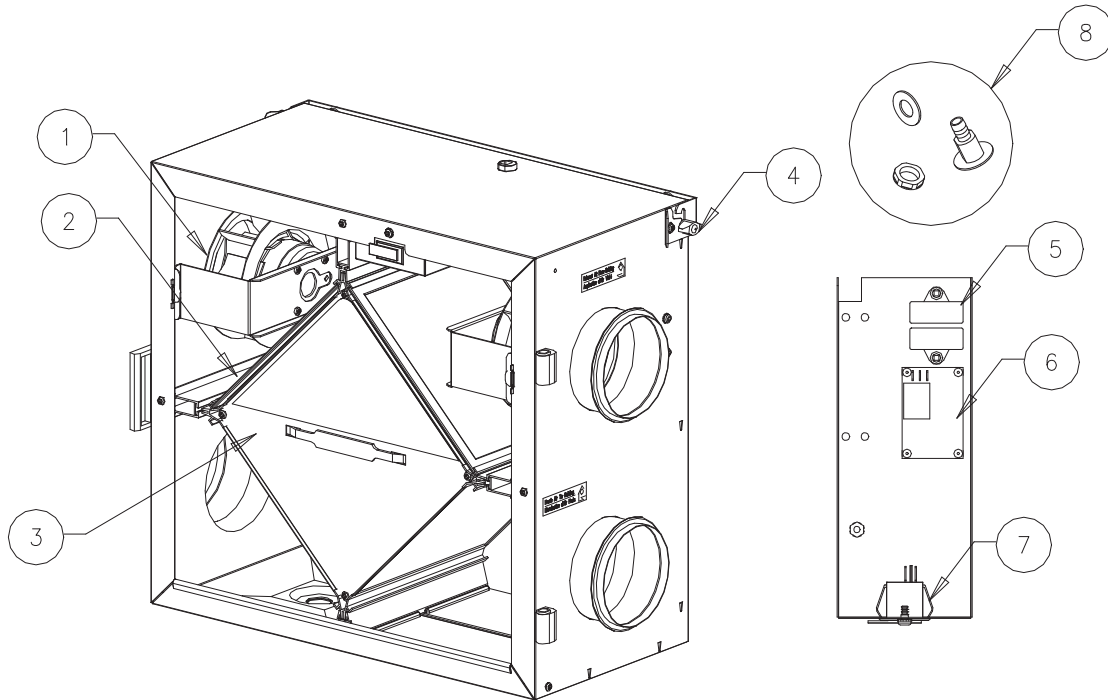
Heat Recovery Ventilator



BOM #	Description	VHR200R-EC (75269)
1	Motor, R3G190-RG15-30, Rep. Kit	422676
2	Cell, Alum, 300 x 300 x 380mm, 170pcs	422641
3	Filter, MERV13, Rep. Kit	422679
4	Filter, 2xR-200(11.5x15), Rep. Kit	40327
5	Door Switch	410867
6	Collar 6", Oval, w/Hole	413896
7	Collar 6", Oval, w/o Hole	413894
8	Defrost Damper	420463
9	Kit, PCB Replacement, Board, EC	422677
10	Kit, Drain Plug	40315
11	Auto-Transformer	410214
12	Control Switch	410213
13	Screw, Set, Slotted, 8-32x5/16"	412836
14	Cap, w/Tab, Plastic, Tapered	412839
15	Damper, 6", Oval	413898
16	Damper Motor Assembly	422680
17	Temperature Probe	40286
	Door Replacement Kit	422681
	Wiring Diagram	422662
	Installation Manual	422665

SH704

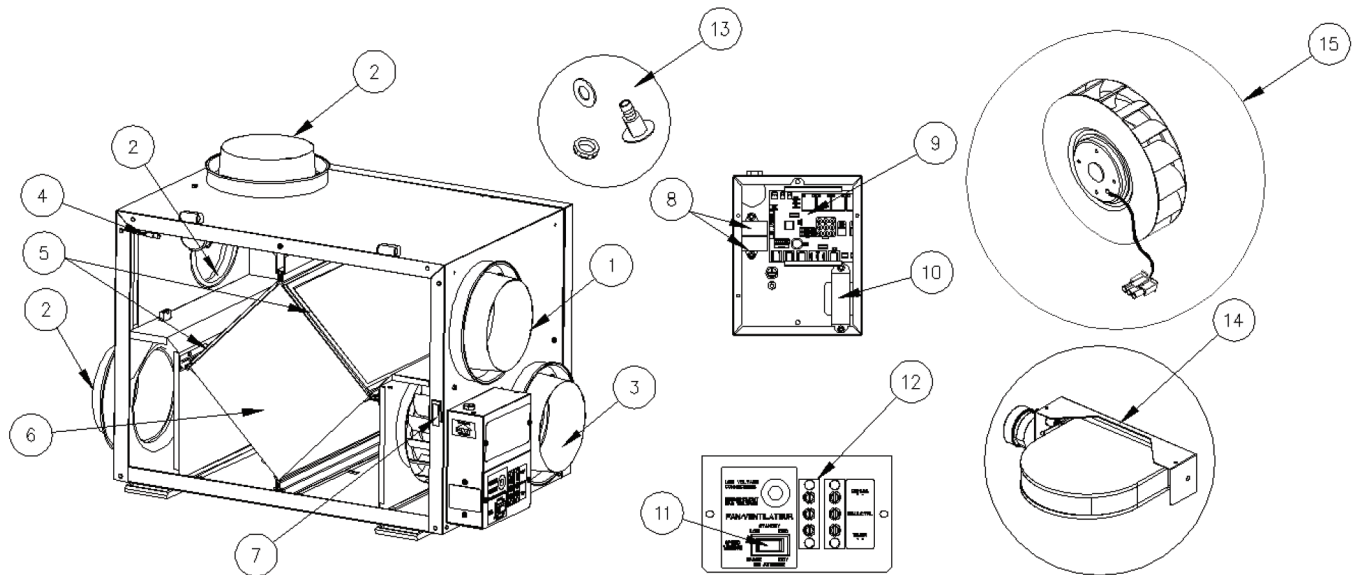
Heat Recovery Ventilator



BOM #	Description	SH704 (40356)
1	Motor, R2E 133-BH94-18	404378
2	Electrostatic Filters Kit 8" x 8.3"	405116
3	Heat Recovery Cell 9" x 9" x 8"	403120
4	Wing Screw 10-32	412070
5	Capacitors 2uF	412315
6	PCB	412072
7	Door Switch	410867
8	Kit Drain Plug	40315
	Temperature Probe	40286
	Kit, Wall Bracket	409721
	Door Assembly	405536
	Wiring Diagram	403135
	Installation Manual	403165

SHR Series

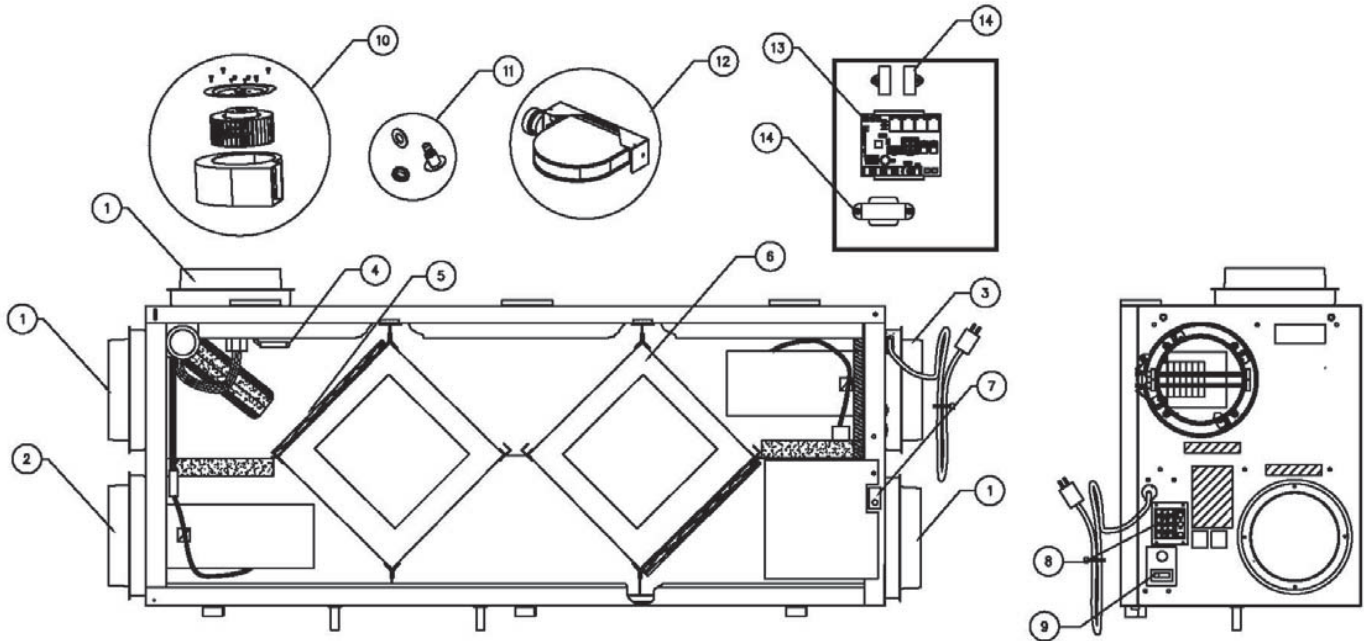
Heat Recovery Ventilator



BOM #	Description	SHR1504 (40072)	SHR1505R (40071)	SHR2004 (40077)	SHR2005R (40076)
1	6" Collar, 24mm Lip	400558	400558	400558	400558
2	6" Collar, 10mm Lip	NA	400534	NA	400317
3	Balancing Damper-Collar	412284	412284	412284	412284
4	Temperature Probe	40286	40286	40326	40326
5	Electrostatic Filters	402041	402041	40327	40327
6	Heat Recovery Cell	402063	402063	402064	402064
7	Door Switch	410867	410867	410867	410867
8	Capacitor	411222	411222	410040	410040
9	PCB, UNICTRL	402004	402004	402004	402004
10	Auto-Transformer	411963	411963	411963	411963
11	Control Switch	410213	410213	410213	410213
12	PCB, Wiring Panel	411719	411719	411719	411719
13	Kit Drain Plug	40315	40315	40315	40315
14	Recirculation Damper	NA	402548	NA	40324
15	Motor Assembly	405520	405520	40323	40323
	Door Kit	405537	405538	405539	405539
	Wiring Diagram	403336	403336	403336	403336
	Installation Manual	405190	405190	405190	405190

SHR3005R

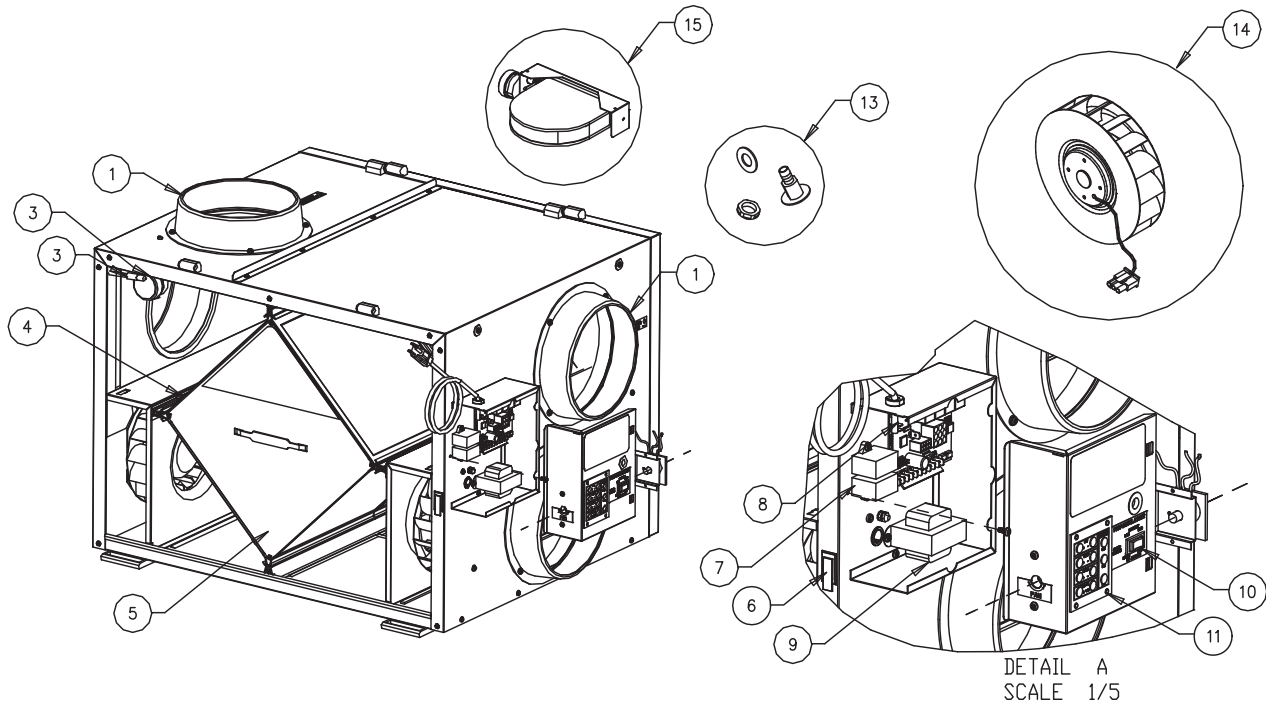
Heat Recovery Ventilator



BOM #	Description	SHR3005R (40214)
1	6" Collar, 33mm Lip	410541
2	6" Collar, 24mm Lip	410542
3	6" Collar, Balancing	412284
4	Temperature Probe	40326
5	Electrostatic Filters Kit 11.5" x 15"	40327
6	Heat Recovery Cell 12" x 12" x 15"	402064
7	Door Switch	410867
8	PCB, Wiring Panel	411719
9	Control Switch	410213
10	Motor Assembly	400975
11	Kit Drain Plug	40315
12	Recirculation Damper	401125
13	PCB, UNICTRL	402004
14	Auto-Transformer	411963
15	Capacitors	410040
	Door Kit	401431
	Wiring Diagram	403334
	Installation Manual	405190

SHR3205R

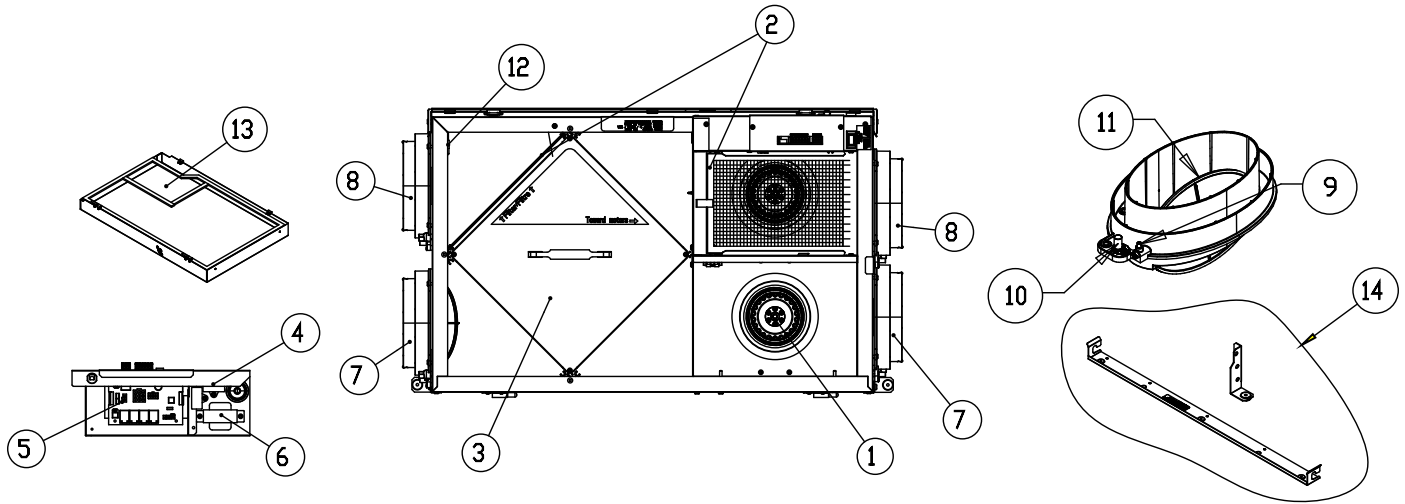
Heat Recovery Ventilator



BOM #	Description	SHR3205R (40225)
1	8" Collar	410533
2	8" Collar Insert	411467
3	Temperature Probe	40326
4	Electrostatic Filters Kit 11.5" x 11"	40328
5	Heat Recovery Cell 12" x 12" x 11.5"	401651
6	Door Switch	410867
7	Capacitors, 10uF	410040
8	Electronic Board	402004
9	Auto-Transformer	411963
10	Control Switch	410213
11	PCB, Wiring Panel	411719
13	Kit Drain Plug	40315
14	Motor Assembly	405520
15	Damper Assembly	40329
	Door Assembly	405540
	Wiring Diagram	403335
	Installation Manual	405190

Fit120H

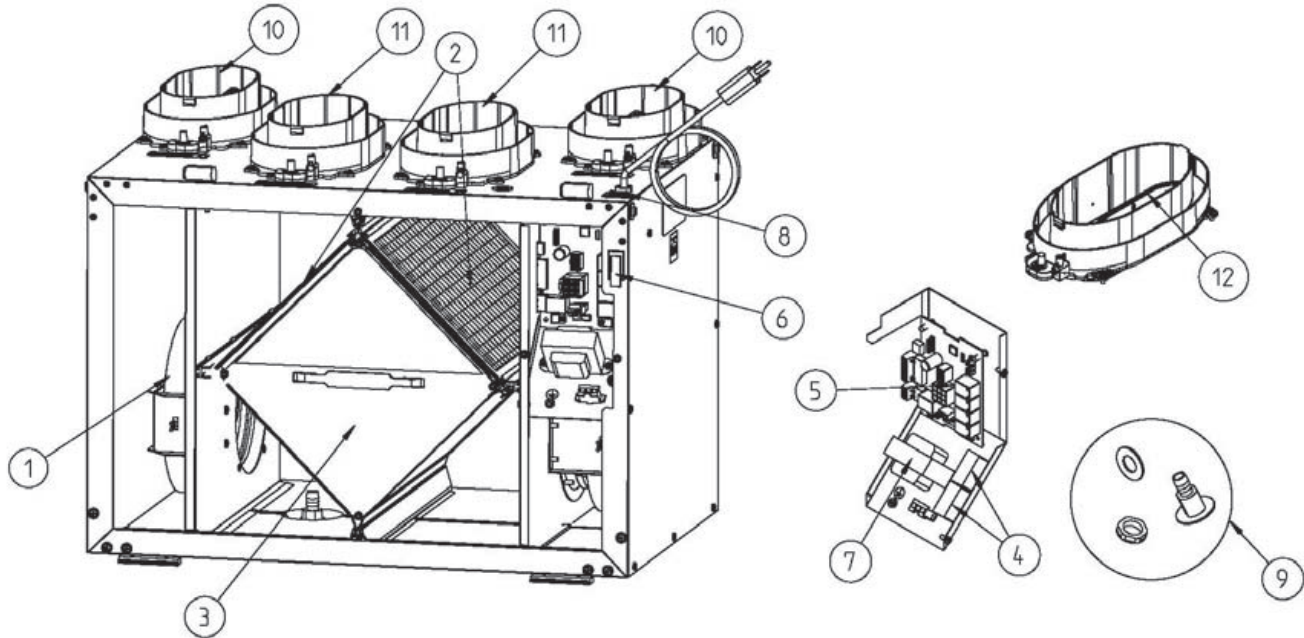
Heat Recovery Ventilator



BOM #	Description	Fit120H (75064)
1	R2E 190 Radical, Rep. Kit	414382
2	Electrostatic Filters Kit	422580
3	Heat Recovery Cell 12" x 12" x 7.7"	424025
4	Capacitors 8uF	410012
5	PCB, RV-AC, Base, H:D, F2.07	411901
6	Auto-Transformer	411963
7	Collar 5", Oval, w/Stop	412826
8	Collar 5", Oval, wo/Stop	412827
9	Screw, Set, Slotted, 8-32 x 5/16"	412836
10	Cap, w/Tab, Plastic, Tapered	412839
11	Damper, 5", Oval	412831
12	Temperature Probe	40286
13	Door Assembly	422629
14	Hanging Kit, Fit120H	422617
	Wiring Diagram	442949
	Installation Manual	422622

VER150

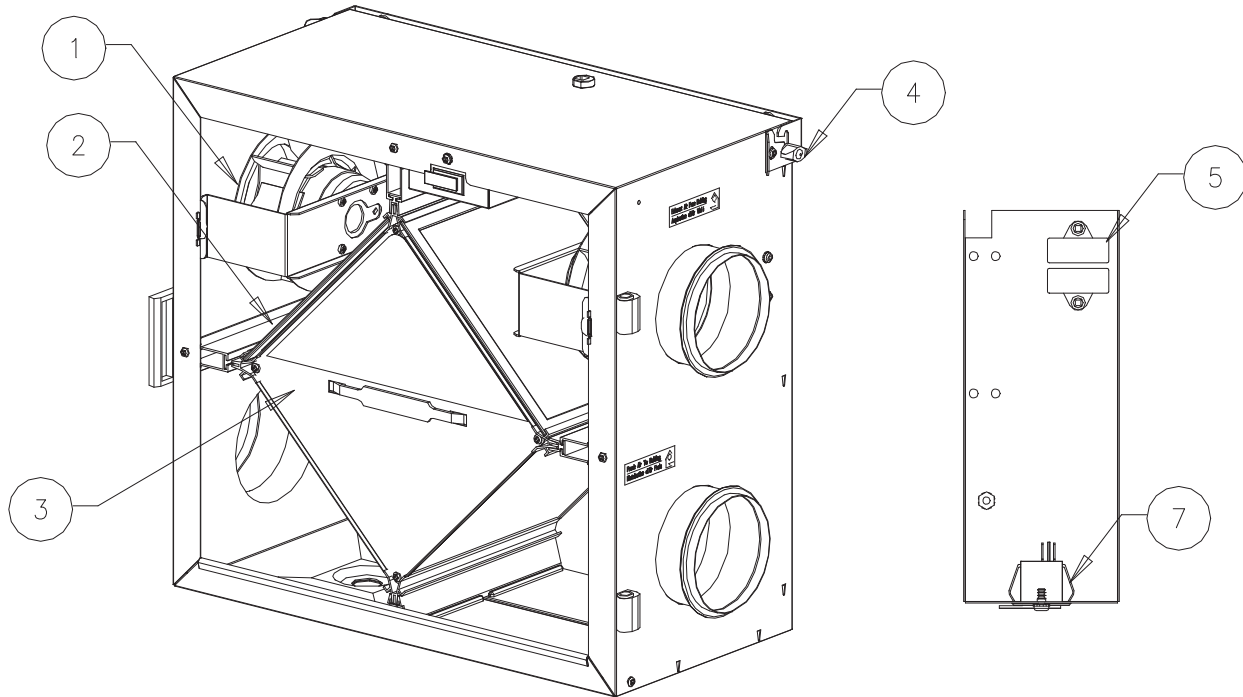
Energy Recovery Ventilator



BOM #	Description	VER150 (78112)
1	R2E 190 Radical, Rep. Kit	405520
2	Electrostatic Filters Kit 8.5" x 15"	402041
3	Energy Recovery Cell 9" x 9" x 15"	422729
4	Capacitors 8uF	410012
5	PCB, RV-CTRL REV 1.5	422677
6	Door Switch	410867
7	Auto-Transformer	411963
8	Control Switch	410213
9	Kit Drain Plug	40315
10	Collar 6", Oval, w/Stop	413893
11	Collar 6", Oval, wo/Stop	413894
12	Damper Door, VHR150R	420462
	Temperature Probe	40286
	Door Assembly	405532
	Kit, Wall Bracket	403163
	Wiring Diagram	422727
	Installation Manual	422728

SE704

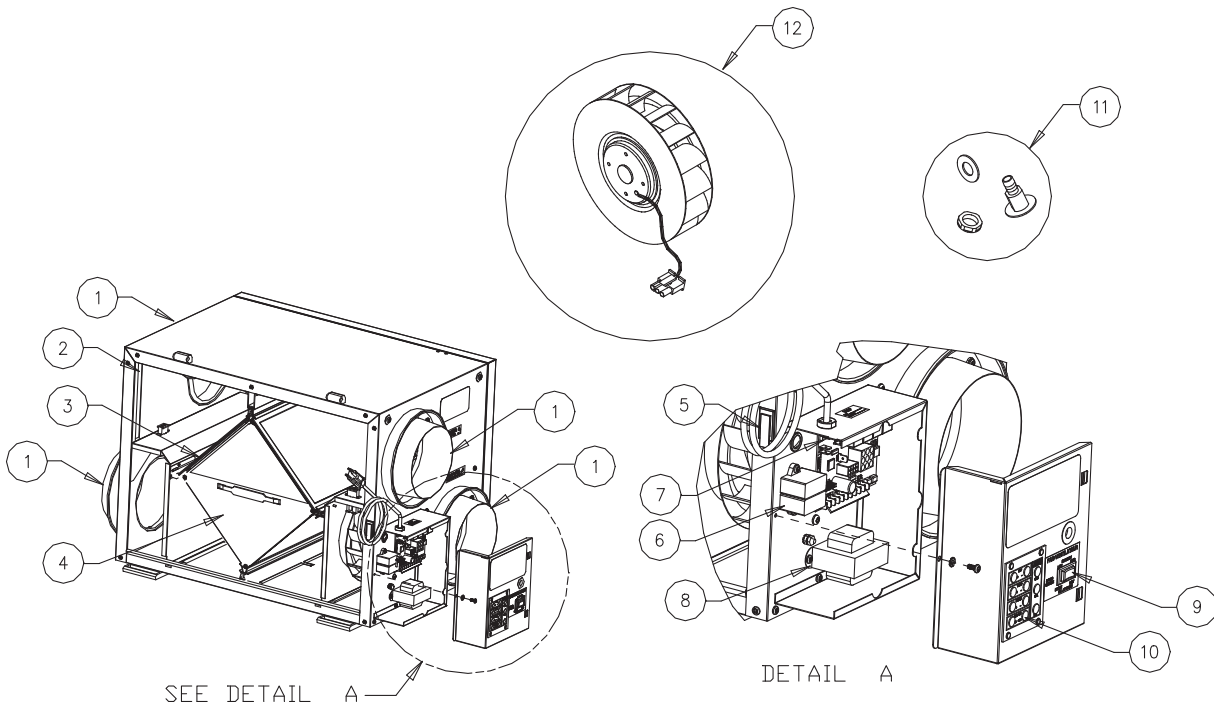
Energy Recovery Ventilator



BOM #	Description	SE704 (40357)
1	Motor, R2E 133-BH94-18	404378
2	Electrostatic Filters Kit 8" x 8.3"	405116
3	Energy Recovery Cell	422731
4	Wing Screw 10-32	412070
5	Capacitors 2uF	412315
7	Door Switch	410867
	Kit, Wall Bracket	409721
	Door Assembly	405536
	Wiring Diagram	403136
	Installation Manual	403165

SER1504 • SER2004

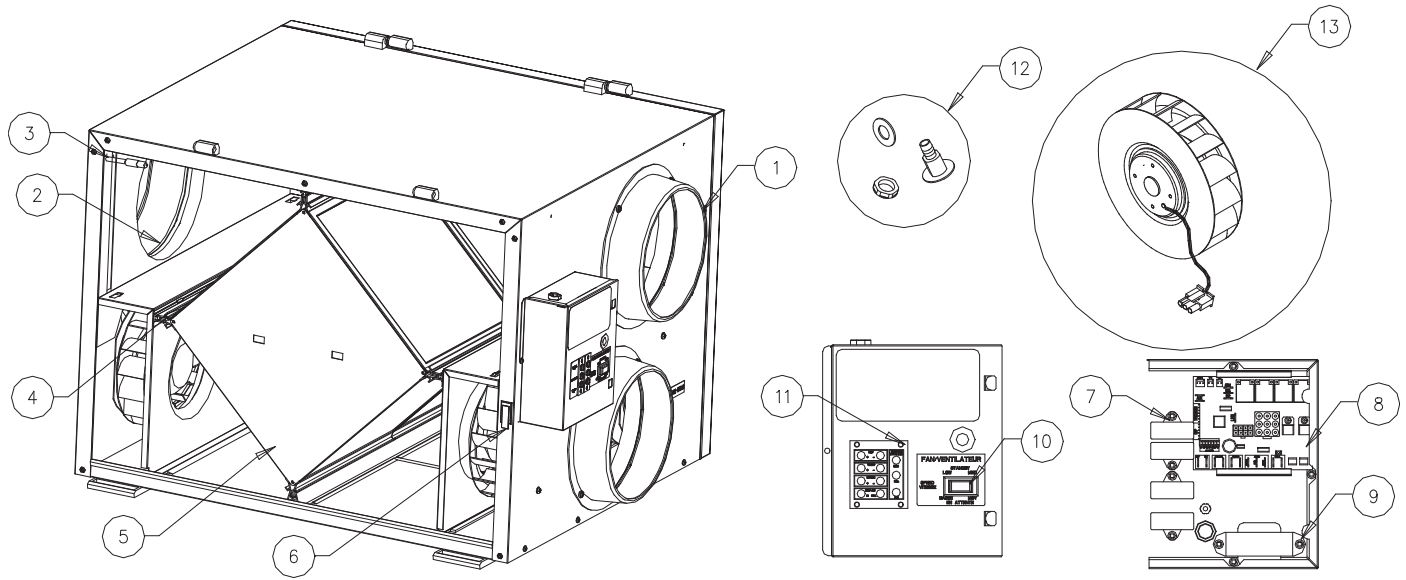
Energy Recovery Ventilator



BOM #	Description	SER1504 (40085)	SER2004 (40086)
1	6" Collar, 24mm Lip	400558	400558
2	Temperature Probe	40286	40326
3	Electrostatic Filters	402041	40327
4	Energy Recovery Cell	422729	422711
5	Door Switch	410867	410867
6	Capacitors	410012	410040
7	PCB, UNICTRL	402004	402004
8	Auto-Transformer	411963	411963
9	Control Switch	410213	410213
10	PCB, Wiring Panel	411719	411719
11	Kit Drain Plug	40315	40315
12	Motor Assembly	405520	40323
	Door Kit	405537	405539
	Wiring Diagram	403336	403336
	Installation Manual	401455	401455

SER3204D

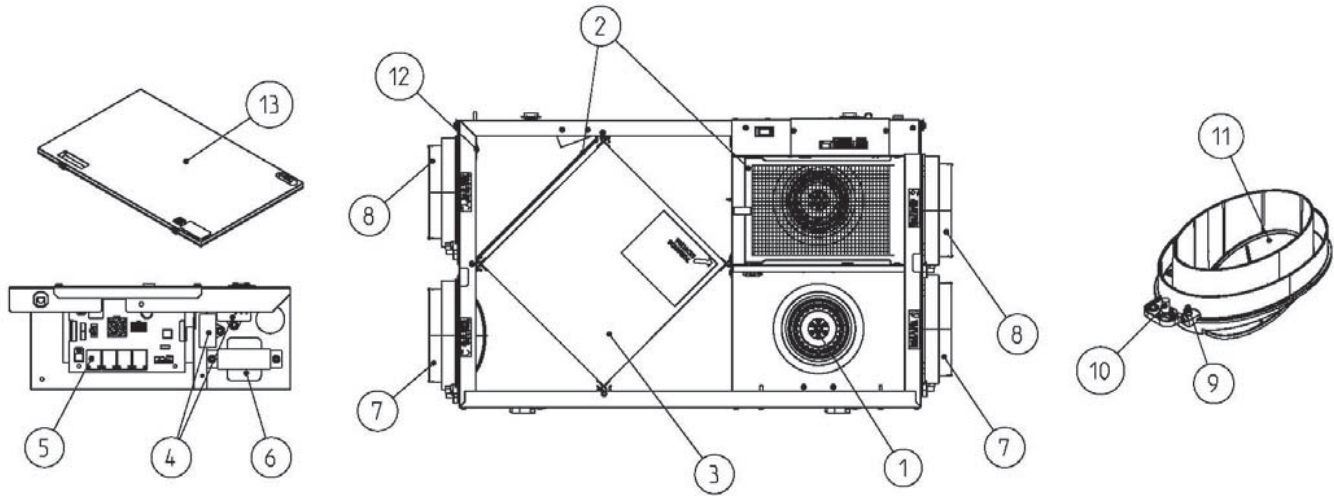
Energy Recovery Ventilator



BOM #	Description	SER3204D (40226)
1	8" Collar	410533
2	8" Collar Insert	411467
3	Temperature Probe	40326
4	Electrostatic Filters Kit 11.5" x 11"	40328
5	Energy Recovery Cell	422712
6	Door Switch	410867
7	Capacitors, 6uF	411222
8	Electronic Board	402004
9	Auto-Transformer	411963
10	Control Switch	410213
11	PCB, Wiring Panel	411719
12	Kit Drain Plug	40315
13	Motor Assembly	405520
	Door Kit	405540
	Wiring Diagram	403335
	Installation Manual	401455

Fit120E

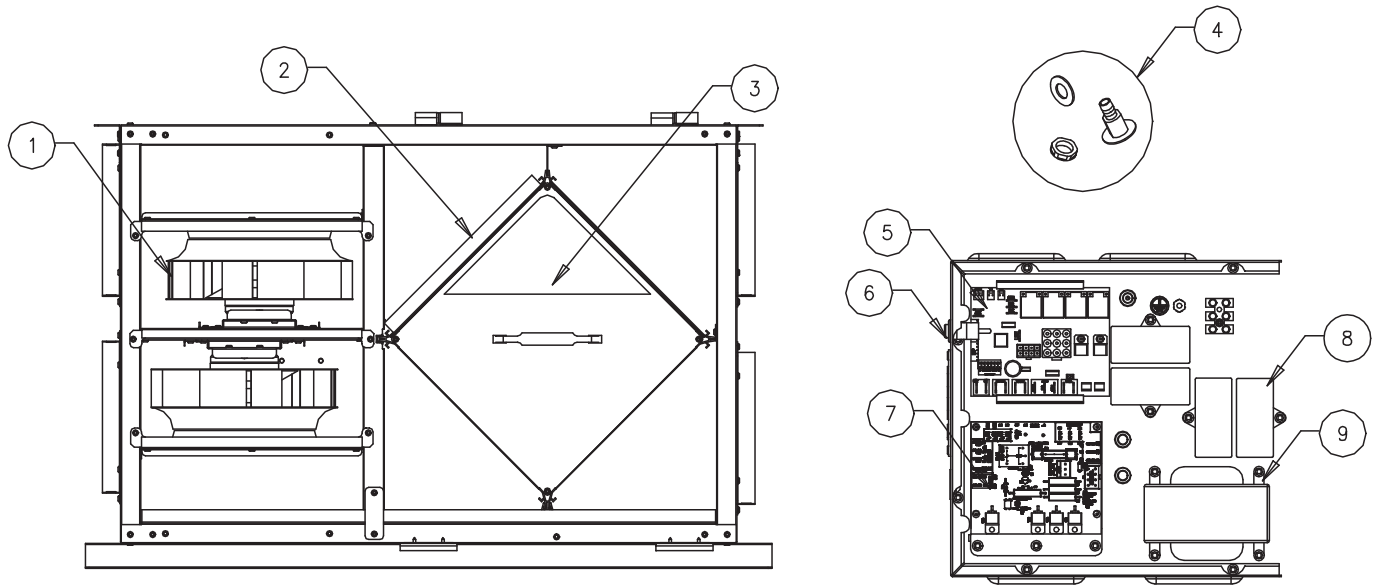
Energy Recovery Ventilator



BOM #	Description	Fit120E (44940)
1	R2E 190 Radical, Rep. Kit	414382
2	Electrostatic Filters Kit	422580
3	Energy Recovery Cell	414323
4	Capacitors 8uF	410012
5	PCB, RV-AC, Base, H:D, F2.07	411901
6	Auto-Transformer	411963
7	Collar 5", Oval, w/Stop	412826
8	Collar 5", Oval, wo/Stop	412827
9	Screw, Set, Slotted, 8-32 x 5/16"	412836
10	Cap, w/Tab, Plastic, Tapered	412839
11	Damper, 5", Oval	412831
12	Temperature Probe	40286
13	Door Assembly	422582
	Wiring Diagram	422576
	Installation Manual	424522

SHR6904

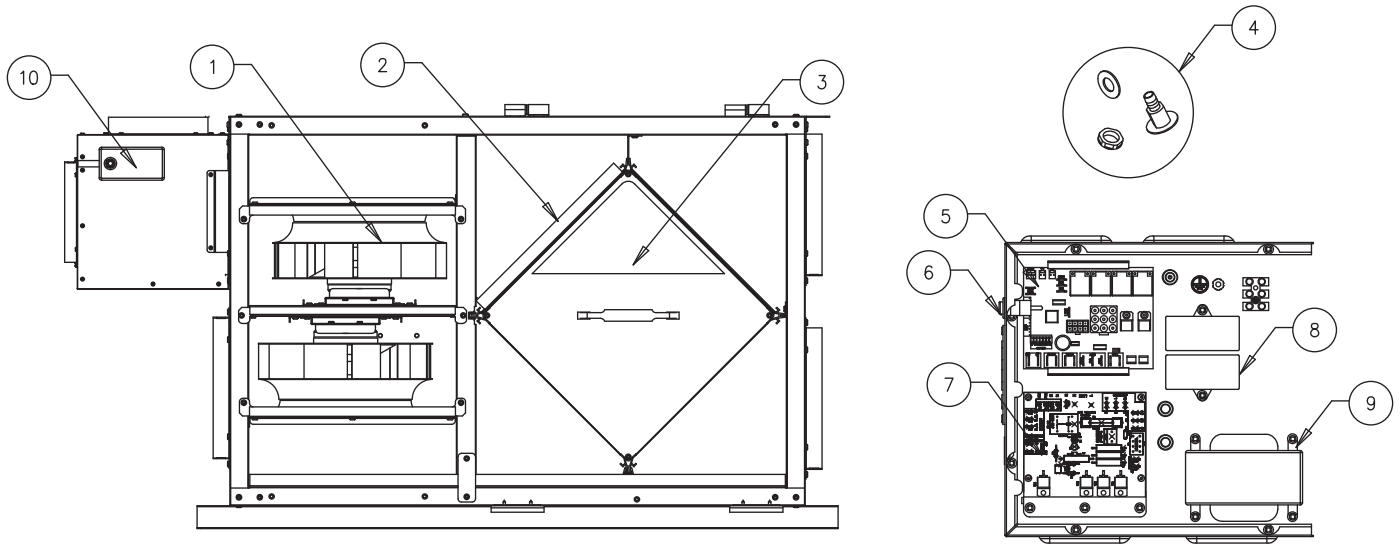
Commercial Heat Recovery Ventilator



BOM #	Description	SHR6904 (40417)
1	Motor Assy, R2E 250-BC51	403475
2	Electrostatic Filters Kit 11.5" x 15"	40482
3	Heat Recovery Cell 12" x 12" x 15"	402064 x2
4	Kit Drain Plug	40315 x2
	Drain, T	410788
5	PCB, UNICTRL	402004
6	Rocker Switch	410213
7	PCB, HCE	420457
8	Capacitors 30uF	412303
9	Auto-Transformer	412437
	Temperature Probe	40286
	Fuse (8 & 12Amps)	410432
	MERV6 Filters	40458
	Wiring Diagram	420470
	Installation Manual	422464

SHR6905R

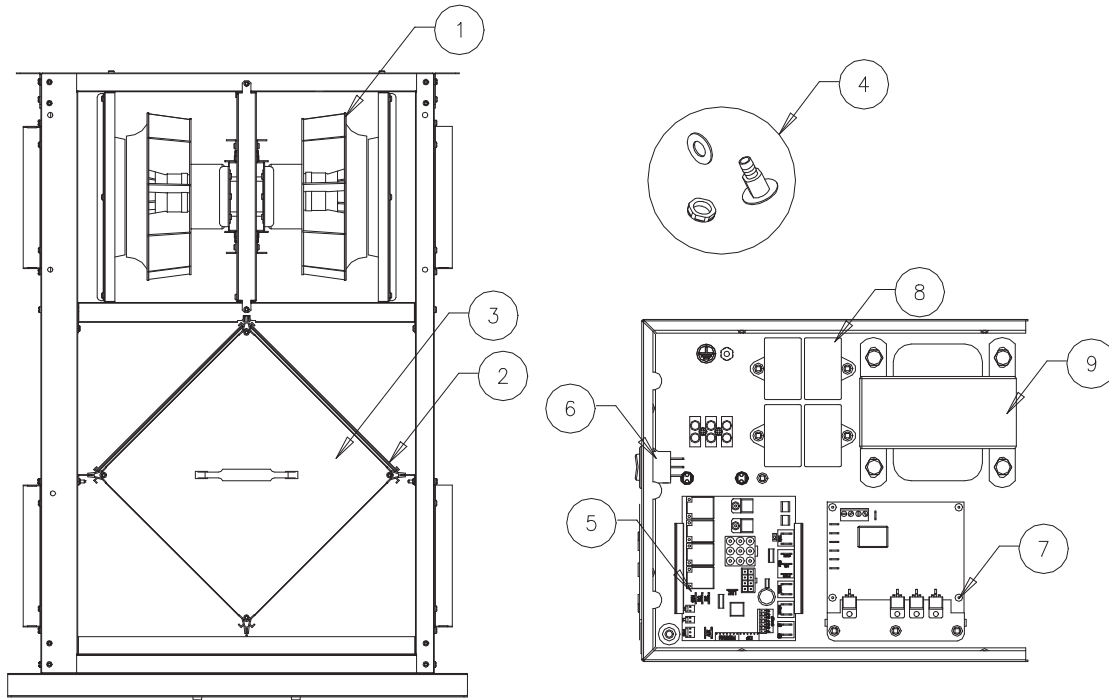
Commercial Heat Recovery Ventilator



BOM #	Description	SHR6905R (41047)
1	Motor Assy, R2E 250-BC51	403475
2	Electrostatic Filters Kit 11.5" x 15"	40482
3	Heat Recovery Cell 12" x 12" x 15"	402064 x2
4	Kit Drain Plug Drain, T	40315 x2 410788
5	PCB, UNICTRL	402004
6	Rocker Switch	410213
7	PCB, HCE	420457
8	Capacitors 30uF	412303
9	Auto-Transformer	412437
10	Damper Motor	413458
	Temperature Probe	40286
	Fuse (8 & 12Amps)	410432
	MERV6 Filters	40458
	Wiring Diagram	420472
	Installation Manual	422464

SHR8004

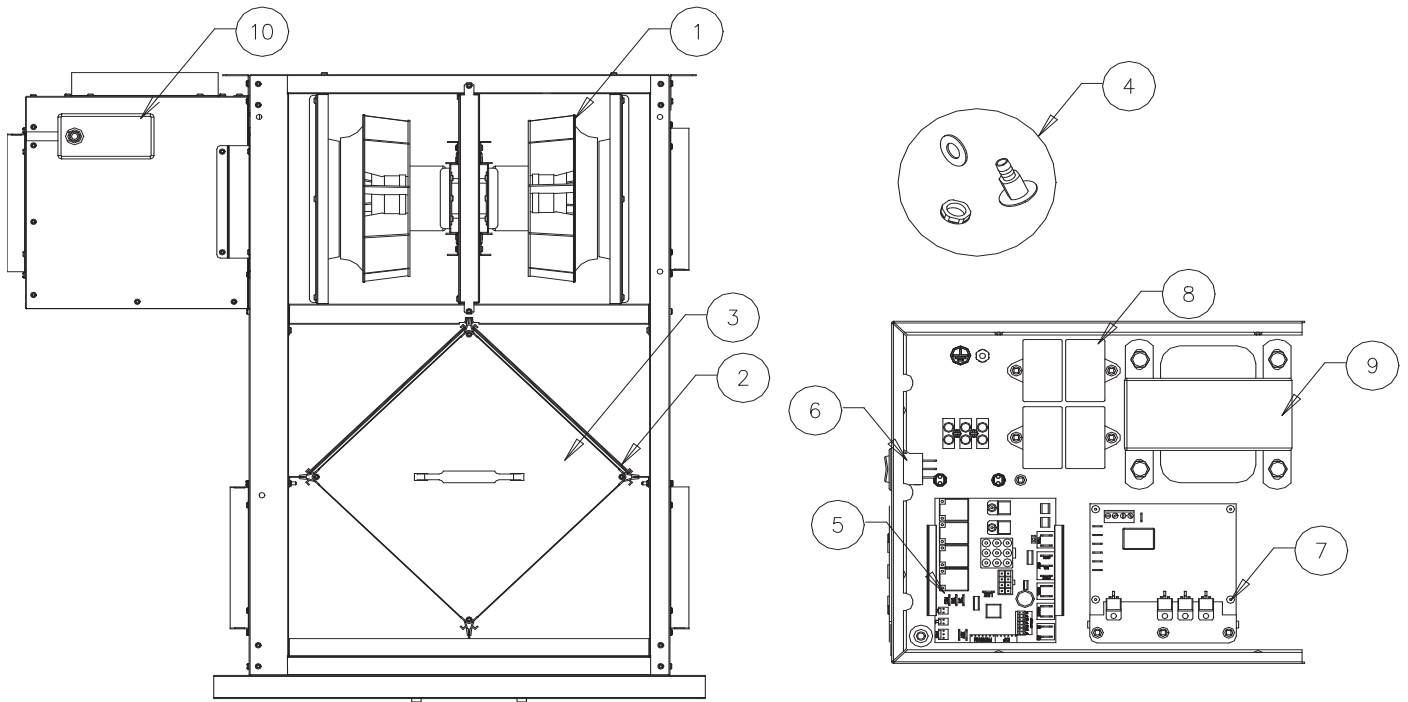
Commercial Heat Recovery Ventilator



BOM #	Description	SHR8004 (40443-1)
1	Motor Assy, R2E 250-AW-57	411728
2	Electrostatic Filters Kit 11.5" x 15"	40482
3	Heat Recovery Cell 12" x 12" x 15"	402064 x2
4	Kit Drain Plug	40315 x2
	Drain, T	410788
5	PCB, UNICTRL	402004
6	Rocker Switch	410213
7	PCB, HCE	420457
8	Capacitors 25uF	411618
9	Auto-Transformer	412437
	Temperature Probe	40286
	Fuse (8 & 12Amps)	410432
	MERV6 Filters	40458
	Wiring Diagram	420470
	Installation Manual	422464

SHR8005R

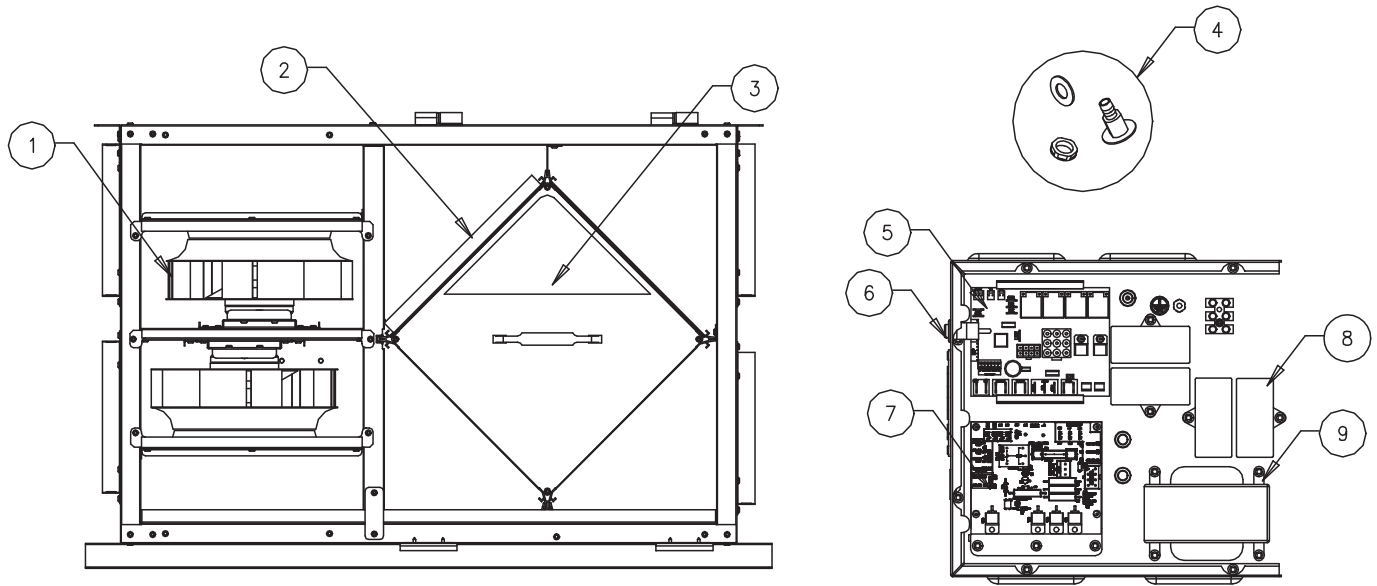
Commercial Heat Recovery Ventilator



BOM #	Description	SHR8005R (40455-1)
1	Motor Assy, R2E 250-AW57	411728
2	Electrostatic Filters Kit 11.5" x 15"	40482
3	Heat Recovery Cell 12" x 12" x 15"	402064 x2
4	Kit Drain Plug	40315 x2
	Drain, T	410788
5	PCB, UNICTRL	402004
6	Rocker Switch	410213
7	PCB, HCE	420457
8	Capacitors 25uF	411618
9	Auto-Transformer	412437
10	Damper Motor	413458
	Temperature Probe	40286
	Fuse (8 & 12Amps)	410432
	MERV6 Filters	40458
	Wiring Diagram	420472
	Installation Manual	422466

SHR11004

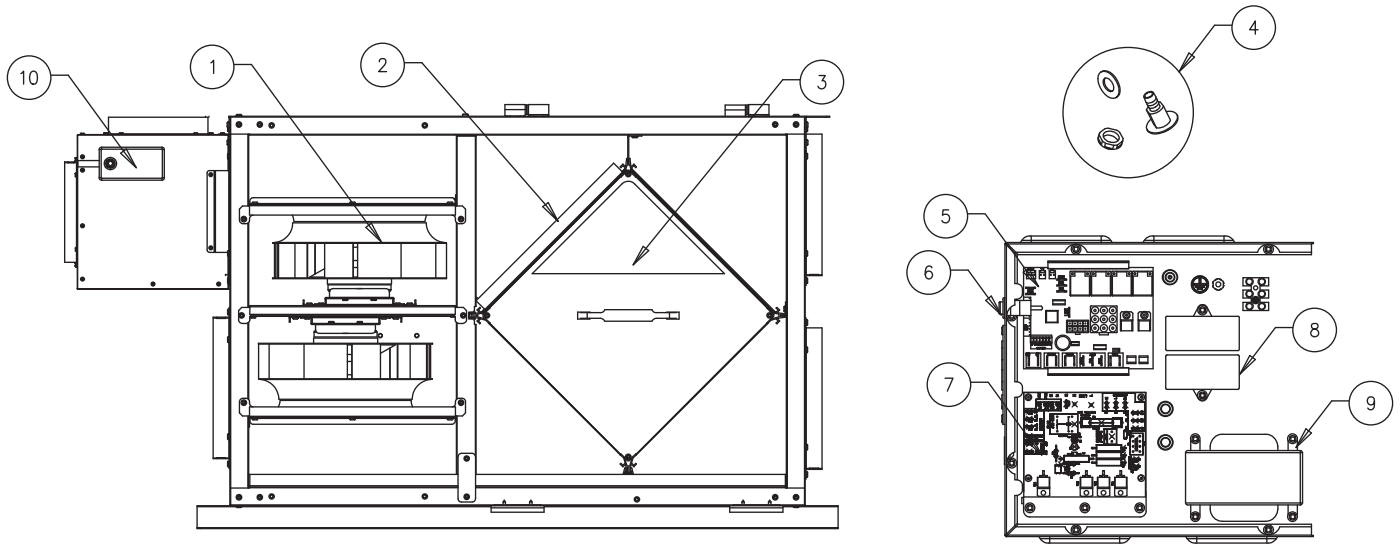
Commercial Heat Recovery Ventilator



BOM #	Description	SHR11004 (40419)
1	Motor Assy, R2E 250-BC51	403475
2	Electrostatic Filters Kit 11.5" x 15"	40459
3	Heat Recovery Cell 12" x 12" x 15"	402064 x2
4	Kit Drain Plug	40315 x2
	Drain, T	410788
5	PCB, UNICTRL	402004
6	Rocker Switch	410213
7	PCB, HCE	420457
8	Capacitors 30uF	412303
9	Auto-Transformer	412454
	Temperature Probe	40286
	Fuse (8 & 12Amps)	412479
	MERV6 Filters	40460
	Wiring Diagram	420470
	Installation Manual	422464

SHR11005R

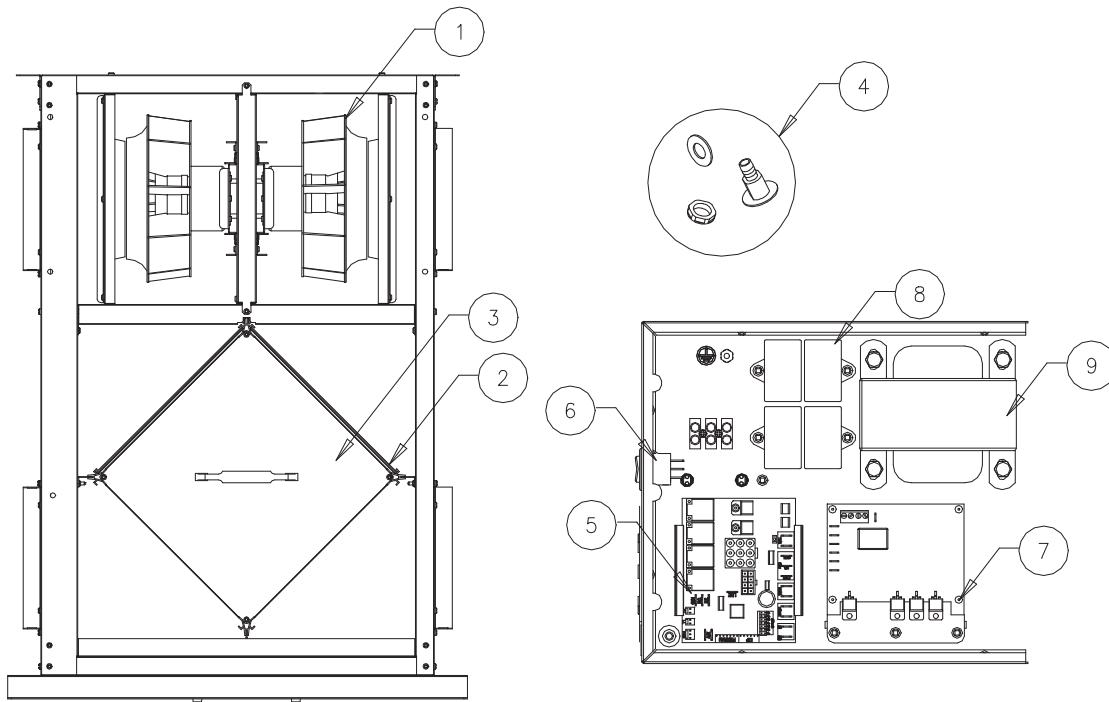
Commercial Heat Recovery Ventilator



BOM #	Description	SHR11005R (41048)
1	Motor Assy, R2E 250-BC51	403475
2	Electrostatic Filters Kit 11.5" x 15"	40459
3	Heat Recovery Cell 12" x 12" x 15"	402064 x2
4	Kit Drain Plug	40315 x2
	Drain, T	410788
5	PCB, UNICTRL	402004
6	Rocker Switch	410213
7	PCB, HCE	420457
8	Capacitors 30uF	412303
9	Auto-Transformer	412454
10	Damper Motor	413458
	Temperature Probe	40286
	Fuse (8 & 12Amps)	412479
	MERV6 Filters	40460
	Wiring Diagram	420472
	Installation Manual	422464

SHR14104

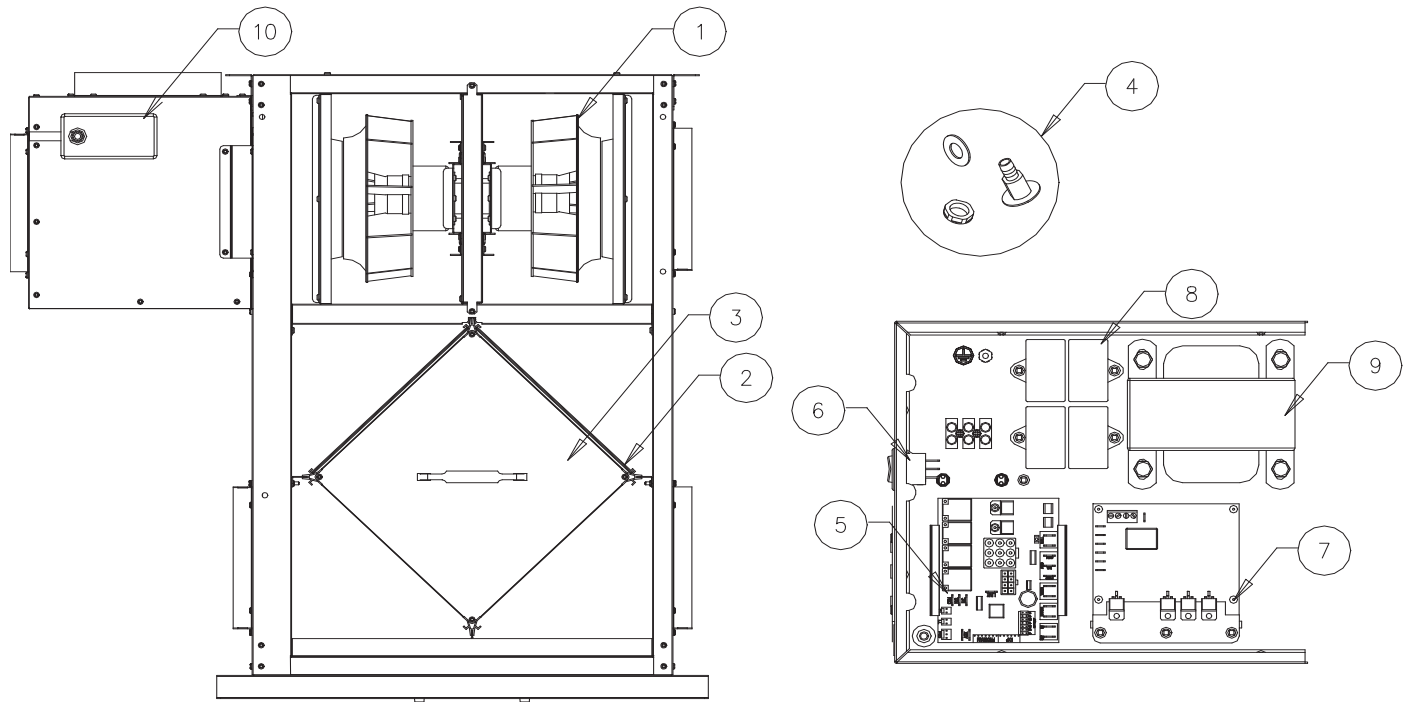
Commercial Heat Recovery Ventilator



BOM #	Description	SHR14104 (40438-1)
1	Motor Assy, R2E 250-AW-57	411728
2	Electrostatic Filters Kit 11.5" x 15"	40459
3	Heat Recovery Cell 12" x 12" x 15"	402064 x3
4	Kit Drain Plug	40315 x2
	Drain, T	410788
5	PCB, UNICTRL	402004
6	Rocker Switch	410213
7	PCB, HCE	420457
8	Capacitors 25uF	411618
9	Auto-Transformer	412454
	Temperature Probe	40286
	Fuse (8 & 12Amps)	412479
	MERV6 Filters	40460
	Wiring Diagram	420470
	Installation Manual	422464

SHR14105R

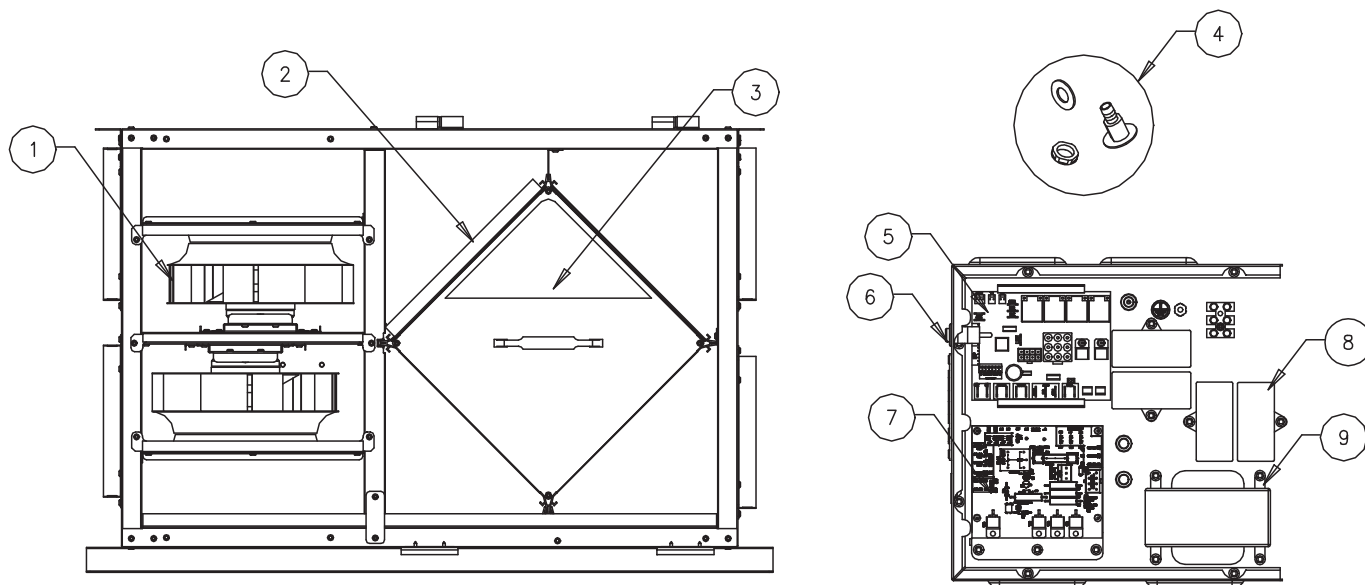
Commercial Heat Recovery Ventilator



BOM #	Description	SHR14105R (40445-1)
1	Motor Assy, R2E 250-AW57	411728
2	Electrostatic Filters Kit 11.5" x 15"	40459
3	Heat Recovery Cell 12" x 12" x 15"	402064 x3
4	Kit Drain Plug	40315 x2
	Drain, T	410788
5	PCB, UNICTRL	402004
6	Rocker Switch	410213
7	PCB, HCE	420457
8	Capacitors 25uF	411618
9	Auto-Transformer	412454
10	Damper Motor	413458
	Temperature Probe	40286
	Fuse (8 & 12Amps)	412479
	MERV6 Filters	40460
	Wiring Diagram	420472
	Installation Manual	422466

SER6004

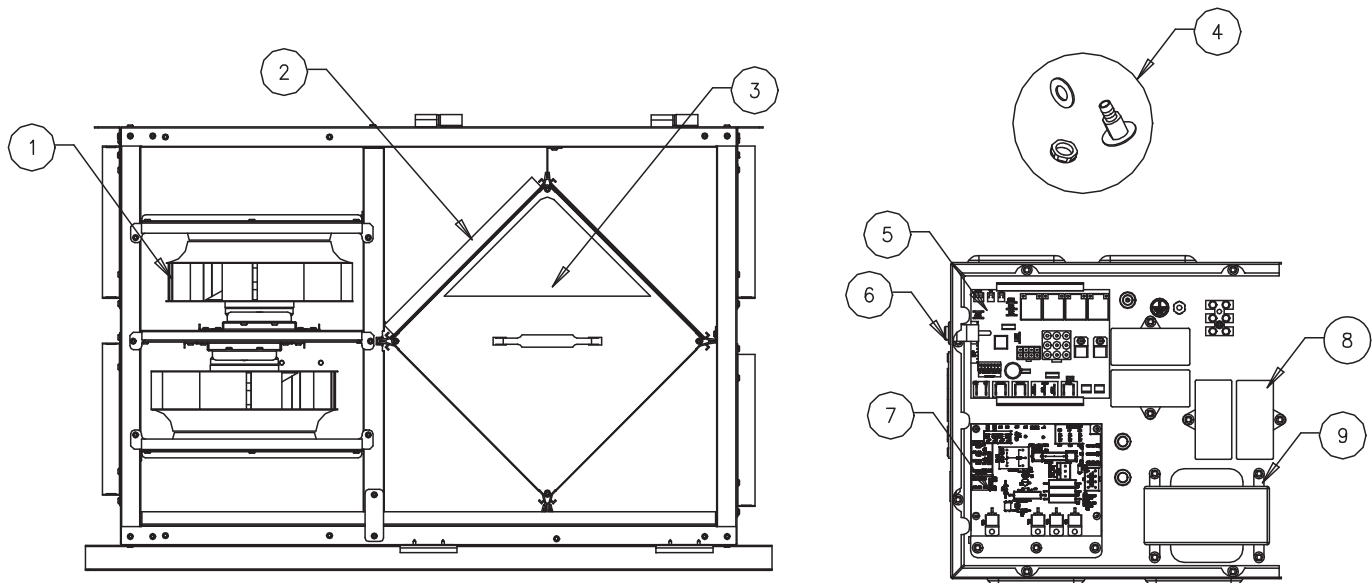
Commercial Energy Recovery Ventilator



BOM #	Description	SER6004 (75266)
1	Motor Assy, R2E 250-BC51	403475
2	Electrostatic Filters Kit 11.5" x 15"	40459
3	Energy Recovery Cell	422695 x2
4	Kit Drain Plug	40315 x2
	Drain, T	410788
5	PCB, UNICTRL	402004
6	Rocker Switch	410213
7	PCB, HCE	420457
8	Capacitors 30uF	412303
9	Auto-Transformer	412437
	Temperature Probe	40286
	Fuse (8 & 12Amps)	410432
	MERV6 Filters	40458
	Wiring Diagram	422694
	Installation Manual	422693

SER9504

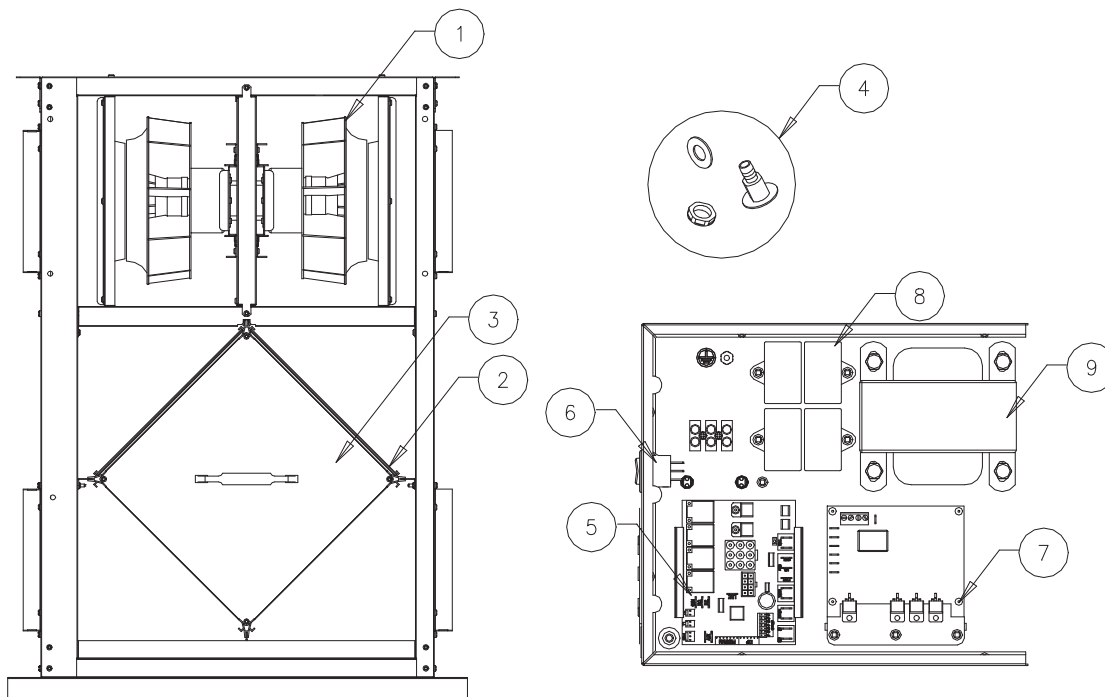
Commercial Energy Recovery Ventilator



BOM #	Description	SER9504 (75267)
1	Motor Assy, R2E 250-BC51	403475
2	Electrostatic Filters Kit 11.5" x 15"	40459
3	Energy Recovery Cell	422695 x 3
4	Kit Drain Plug	40315 x2
	Drain, T	410788
5	PCB, UNICTRL	402004
6	Rocker Switch	410213
7	PCB, HCE	420457
8	Capacitors 30uF	412303
9	Auto-Transformer	412454
	Temperature Probe	40286
	Fuse (8 & 12Amps)	412479
	MERV6 Filters	40460
	Wiring Diagram	422694
	Installation Manual	422693

SER13004

Commercial Energy Recovery Ventilator

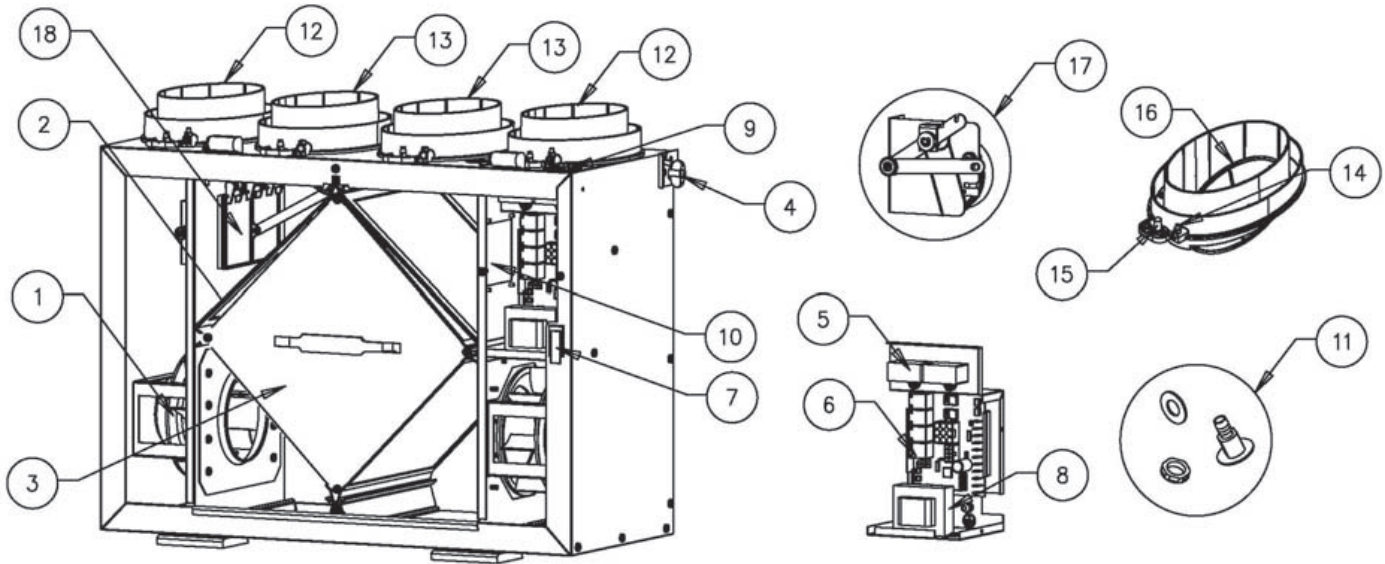


BOM #	Description	SER13004 (75268)
1	Motor Assy, R2E 250-AW-57	411728
2	Electrostatic Filters Kit 11.5" x 15"	40459
3	Heat Recovery Cell	422695 x3
4	Kit Drain Plug	40315 x2
	Drain, T	410788
5	PCB, UNICTRL	402004
6	Rocker Switch	410213
7	PCB, HCE	420457
8	Capacitors 25uF	411618
9	Auto-Transformer	412454
	Temperature Probe	40286
	Fuse (8 & 12Amps)	412479
	MERV6 Filters	40460
	Wiring Diagram	422694
	Installation Manual	422693

Discontinued Products

VHR704R

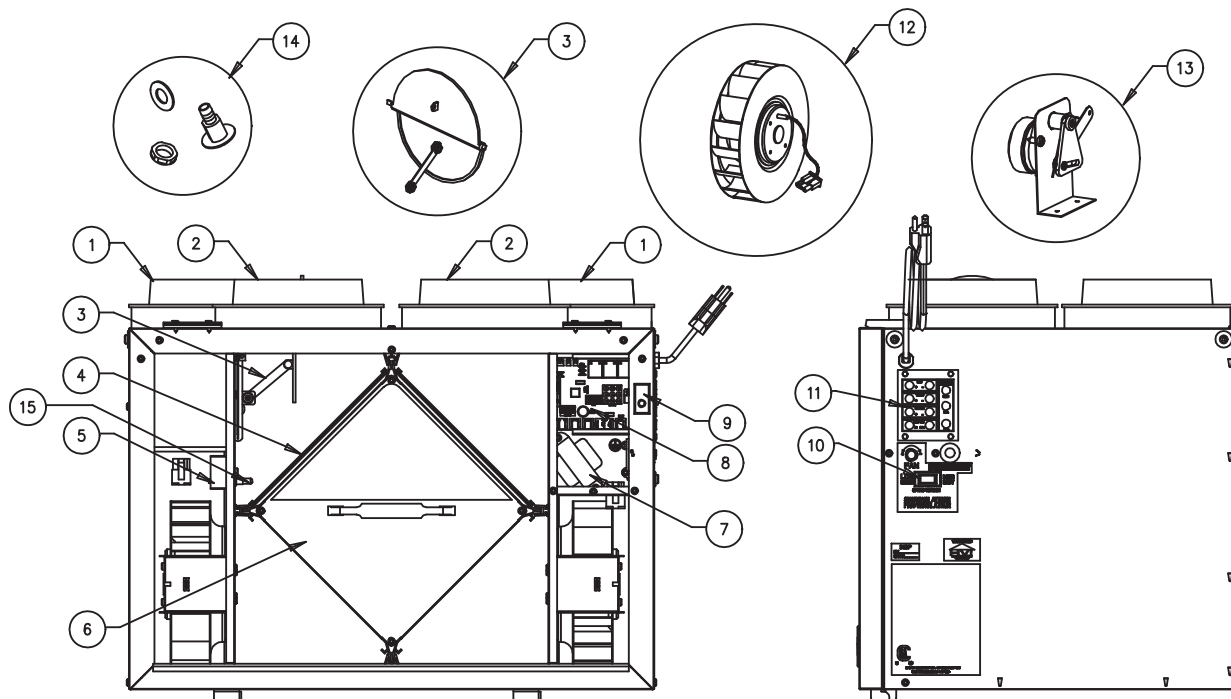
Heat Recovery Ventilator



BOM #	Description	VHR704R
1	Motor, R2E 133-BH94-18	404378
2	Electrostatic Filters Kit 8" x 8.3"	405116
3	Heat Recovery Cell 8.5" x 8.5" x 8"	404350
4	Wing Screw 10-32	412070
5	Capacitors 2uF	412315
6	PCB, UNICTRL, Ver 3.7	402004
7	Door Switch	410867
8	Auto-Transformer	411963
9	Control Switch	410213
10	PCB, Wiring Panel	411719
11	Kit Drain Plug	40315
12	Collar 5", Oval, w/Stop	412826
13	Collar 5", Oval, wo/Stop	412827
14	Screw, Set, Slotted, 8-32 x 5/16"	412836
15	Cap, w/Tab, Plastic, tapered	412839
16	Damper, 5", Oval	412831
17	Damper Motor Assy, Repl.	41466
18	Damper door, Defrost, Repl Kit	405600
	Temperature Probe	40286
	Door Assembly	420438
	Kit, Wall Bracket	409722
	Wiring Diagram	404667
	Installation Manual	404663

VHR1404/904 • VHR1405R

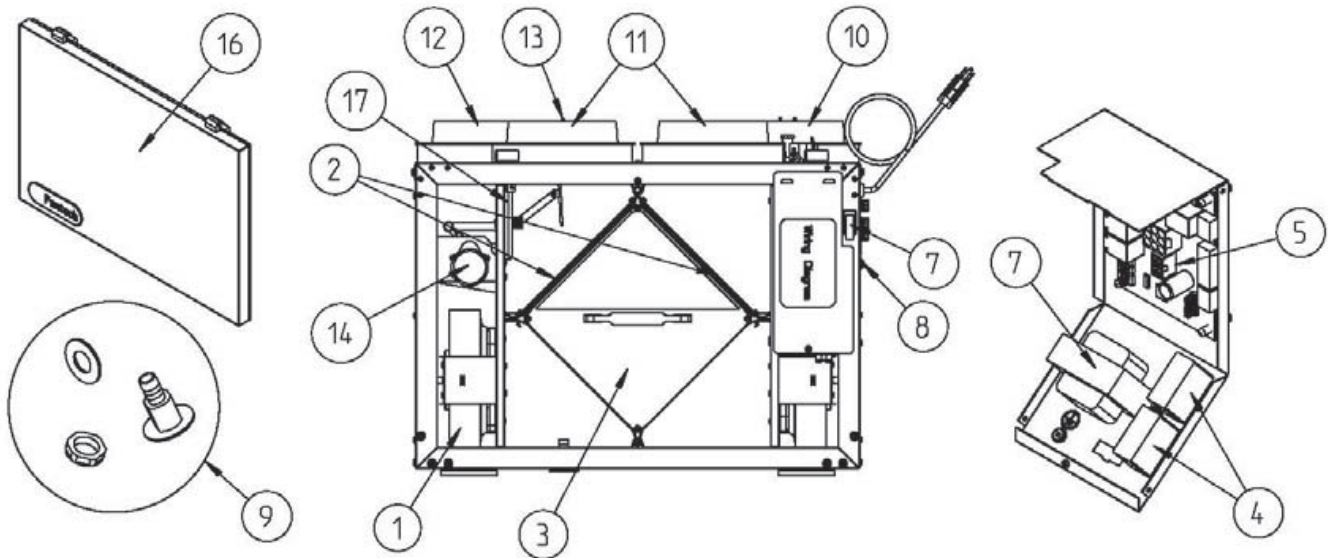
Heat Recovery Ventilator



BOM #	Description	VHR1404/904	VHR1405R
1	6" Collar, 24mm Lip, VHR	400788	400788
2	6" Collar, 24mm Lip	410542	410542
3	Damper Door	NA	40325
4	Electrostatic Filters	402041	402041
5	Capacitors	411222	410220
6	Heat Recovery Cell	402063	402063
7	Auto-Transformer	411963	411963
8	Electronic Board	402004	402004
9	Door Switch	410867	410867
10	Control Switch	410213	410213
11	PCB, Wiring Panel	411719	411719
12	Motor Assembly	405520	405520
13	Damper Motor Assembly	NA	402547
14	Kit Drain Plug	40315	40315
15	Temperature Probe	40286	40286
16	Speed Control	NA	402427
	Door Replacement Kit	405532	405532
	Kit, Wall Bracket	403163	403163
	Wiring Diagram	403336	403336
	Installation Manual	405190	405190

VHR150R - Round

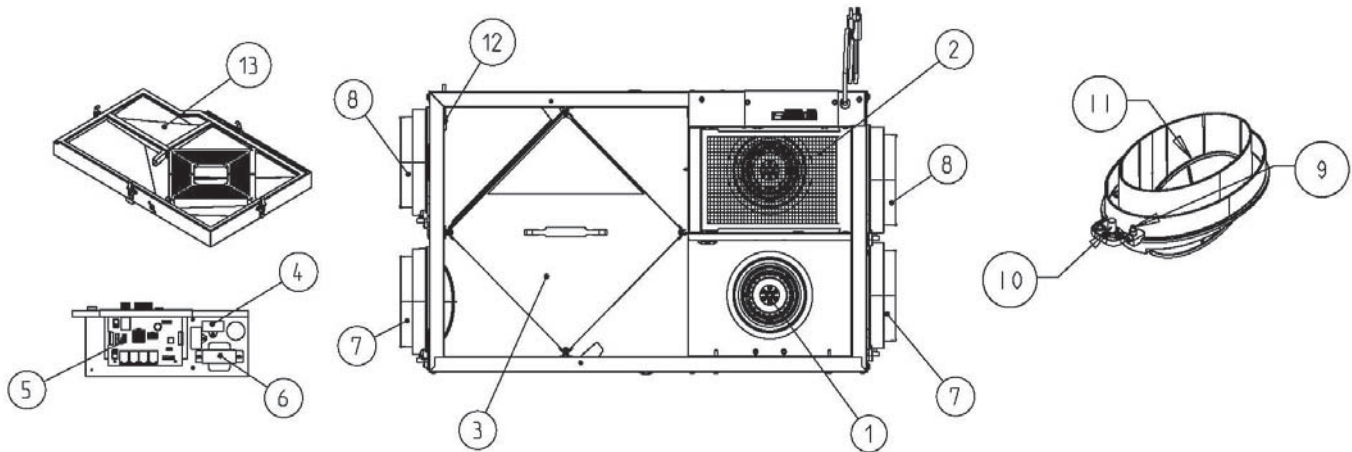
Heat Recovery Ventilator



BOM #	Description	VHR150R - round
1	R2E 190 Radical, Rep. Kit	405520
2	Electrostatic Filters Kit 8.5" x 15"	402041
3	Heat Recovery Cell 9" x 9" x 15"	402063
4	Capacitors 8uF	410012
5	PCB, RV-CTRL REV 1.5	420459
6	Door Switch	410867
7	Auto-Transformer	411963
8	Control Switch	410213
9	Kit Drain Plug	40315
10	Collar, 6", Balancing, 10mm	403382
11	Collar 6", 24mm, LIP	410542
12	Collar, VHR1404, 6", with notch	400788
13	Damper Door, VHR150R	408665
14	Damper Motor Assy, Repl.	408666
15	Temperature Probe	40286
16	Door Assembly	405532
17	Damper Door, Defrost, Repl Kit	405600
	Kit, Wall Bracket	403163
	Wiring Diagram	408601
	Installation Manual	408625

Fit120H - no bracket

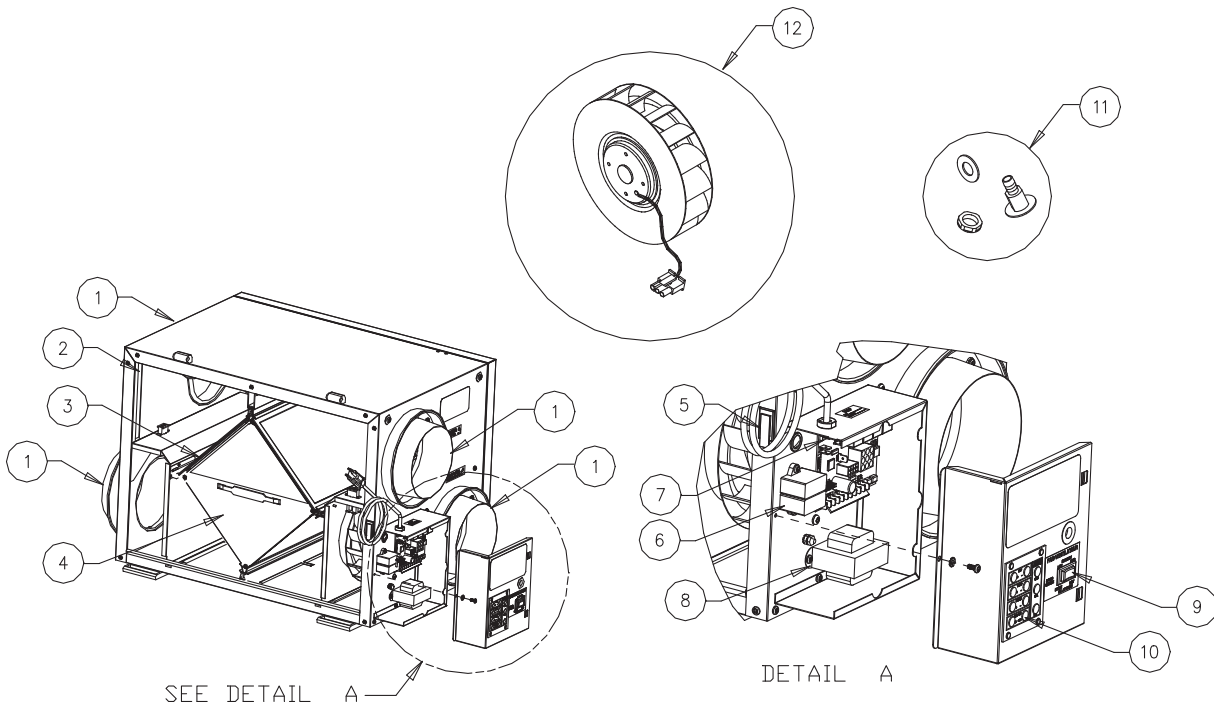
Heat Recovery Ventilator



BOM #	Description	Fit120H
1	R2E 190 Radical, Rep. Kit	414382
2	Electrostatic Filters Kit	442946
3	Heat Recovery Cell 12" x 12" x 7.7"	424025
4	Capacitors 8uF	410012
5	PCB, RV-AC, Base, H:D, F2.07	411901
6	Auto-Transformer	411963
7	Collar 5", Oval, w/Stop	412826
8	Collar 5", Oval, wo/Stop	412827
9	Screw, Set, Slotted, 8-32 x 5/16"	412836
10	Cap, w/Tab, Plastic, Tapered	412839
11	Damper, 5", Oval	412831
12	Temperature Probe	40286
13	Door Assembly	442948
	Wiring Diagram	442949
	Installation Manual	424126

SER1504N • SER2004N

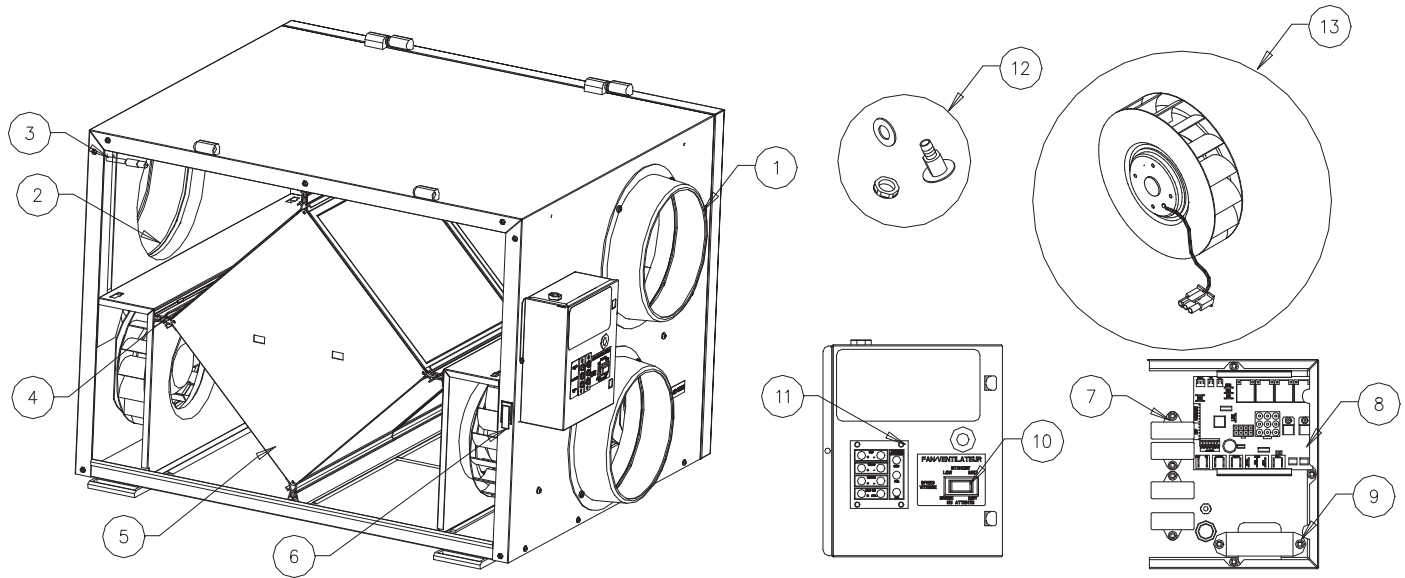
Energy Recovery Ventilator



BOM #	Description	SER1504N	SER2004N
1	6" Collar, 24mm Lip	400558	400558
3	Electrostatic Filters	402041	40327
4	Energy Recovery Cell	422729	422711
5	Door Switch	410867	410867
6	Capacitors	410012	410040
7	PCB, UNICTRL	402004	402004
8	Auto-Transformer	411963	411963
9	Control Switch	410213	410213
10	PCB, Wiring Panel	411719	411719
12	Motor Assembly	405520	40323
	Door Kit	405538	405540
	Wiring Diagram	401286	401287
	Installation Manual	401455	401455

SER3204N

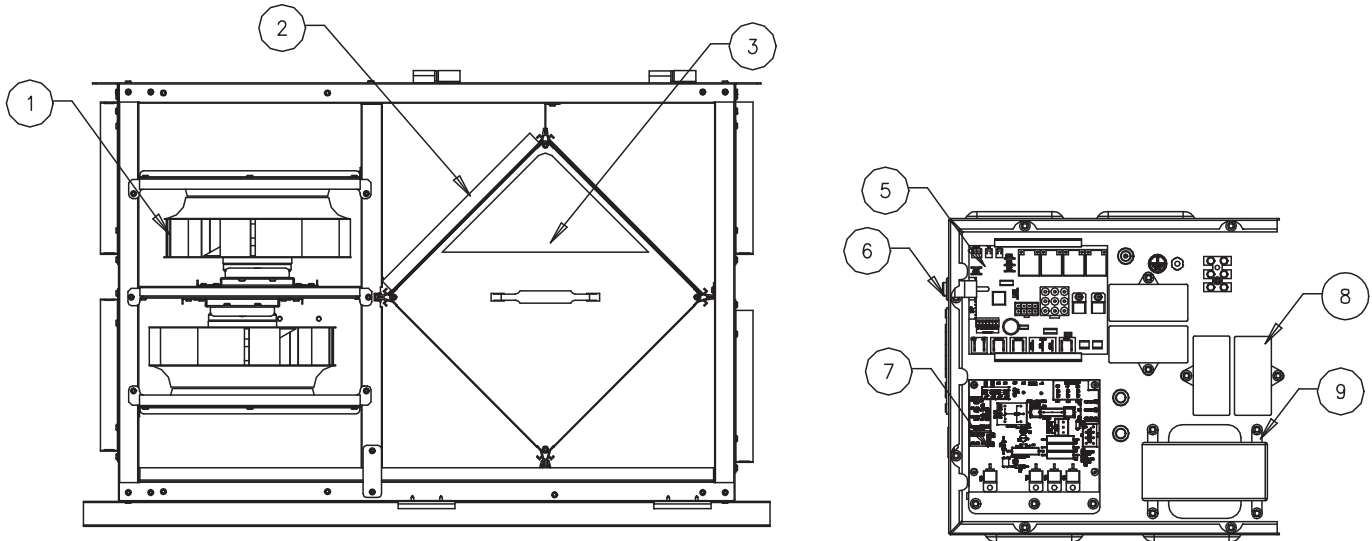
Commercial Energy Recovery Ventilator



BOM #	Description	SER3204N
1	8" Collar	410533
2	8" Collar Insert	411467
3	Temperature Probe	40286
4	Electrostatic Filters Kit 11.5" x 11"	40328
5	Energy Recovery Cell	422712
6	Door Switch	410867
7	Capacitors, 6uF	411222
8	Electronic Board	402004
9	Auto-Transformer	411963
10	Control Switch	410213
11	PCB, Wiring Panel	411719
12	Kit Drain Plug	40315
13	Motor Assembly	405520
	Door Kit	405540
	Wiring Diagram	403335
	Installation Manual	401455

SER5504N

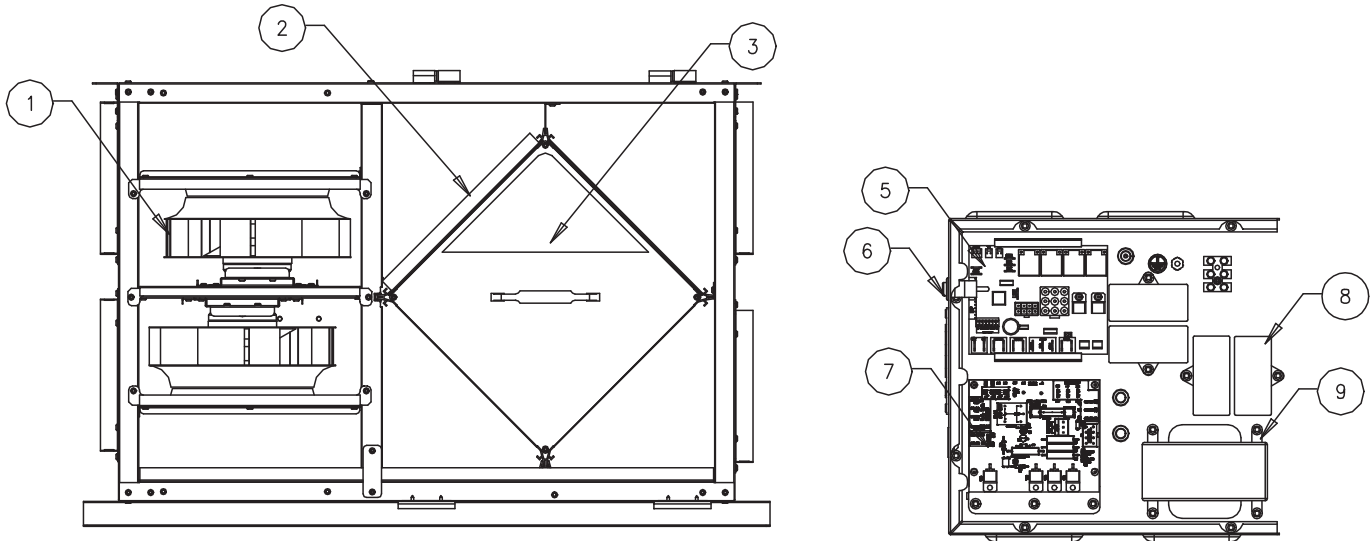
Commercial Energy Recovery Ventilator



BOM #	Description	SER5504N
1	Motor Assy, R2E 250-BC51	403475
2	Electrostatic Filters Kit 11.5" x 15"	40482
3	Energy Recovery Cell	422695 x2
5	PCB, UNICTRL	402004
6	Rocker Switch	410213
7	PCB, HCE	420457
8	Capacitors 30uF	412303
9	Auto-Transformer	412437
	Fuse (8 & 12Amps)	410432
	MERV6 Filters	40458
	Wiring Diagram	420470
	Installation Manual	404125

SER8504N

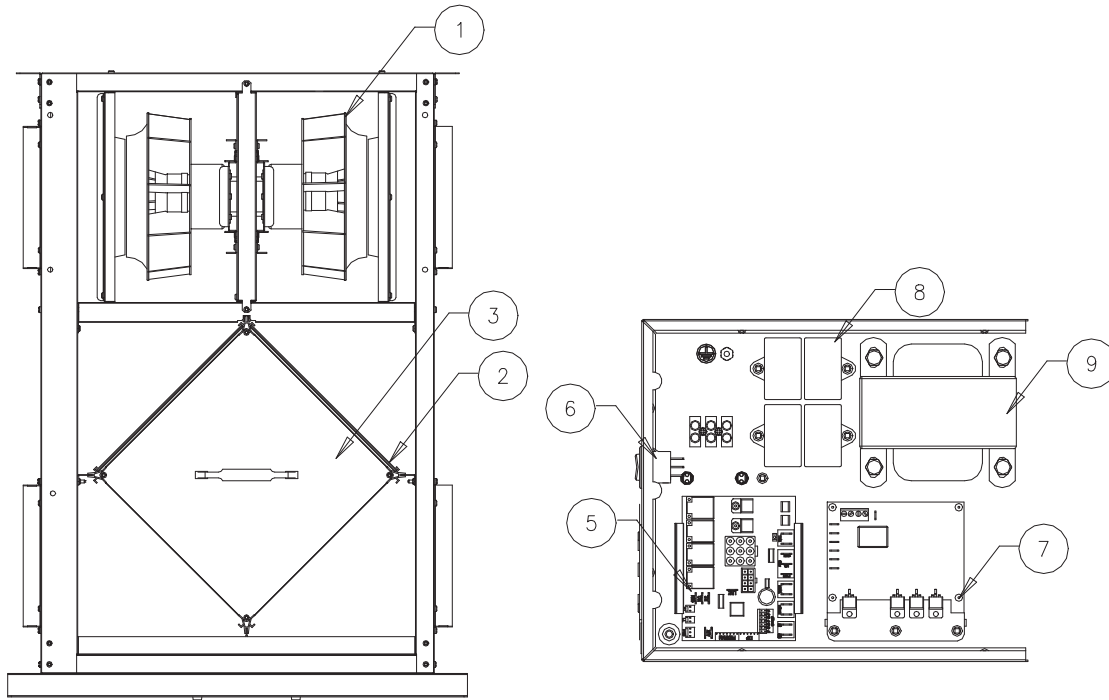
Commercial Energy Recovery Ventilator



BOM #	Description	SER8504N
1	Motor Assy, R2E 250-BC51	403475
2	Electrostatic Filters Kit 11.5" x 15"	40459
3	Energy Recovery Cell	422695 x3
5	PCB, UNICTRL	402004
6	Rocker Switch	410213
7	PCB, HCE	420457
8	Capacitors 30uF	412303
9	Auto-Transformer	412454
	Fuse (8 & 12Amps)	412479
	MERV6 Filters	40460
	Wiring Diagram	403559
	Installation Manual	404125

SER11504N

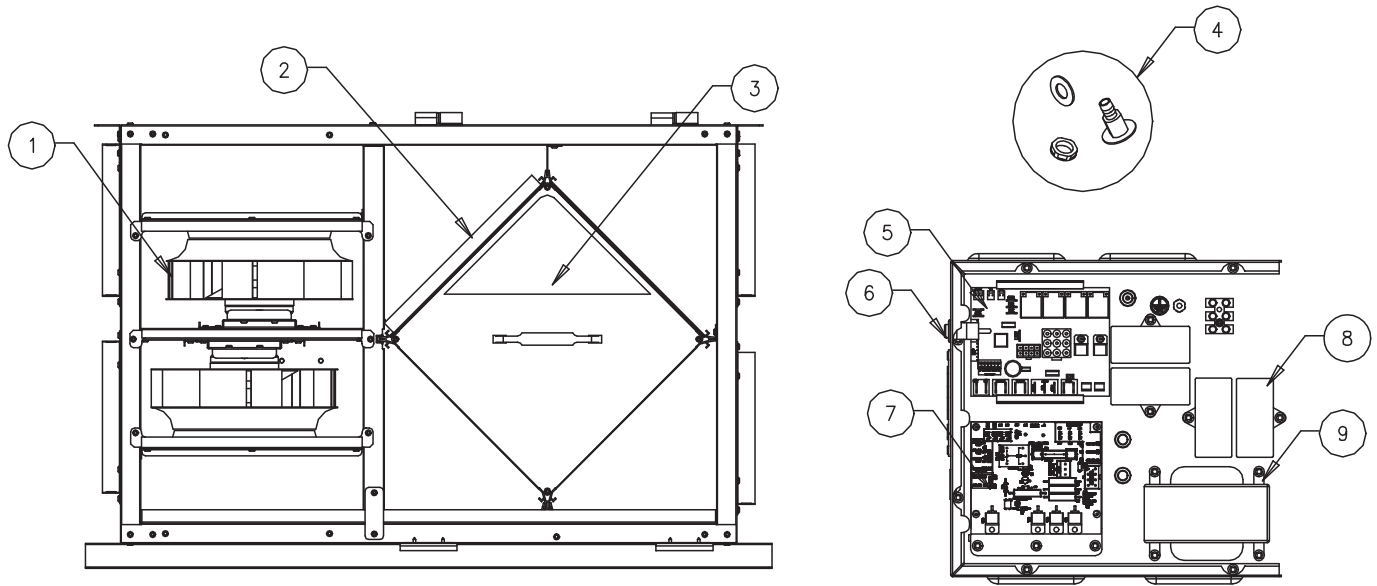
Commercial Energy Recovery Ventilator



BOM #	Description	SER11504
1	Motor Assy, R2E 250-AW-57	411728
2	Electrostatic Filters Kit 11.5" x 15"	40459
3	Heat Recovery Cell	422695 x3
5	PCB, UNICTRL	402004
6	Rocker Switch	410213
7	PCB, HCE	420457
8	Capacitors 25uF	411618
9	Auto-Transformer	412454
	Fuse (8 & 12Amps)	412479
	MERV6 Filters	40460
	Wiring Diagram	420470
	Installation Manual	404125

SER5504

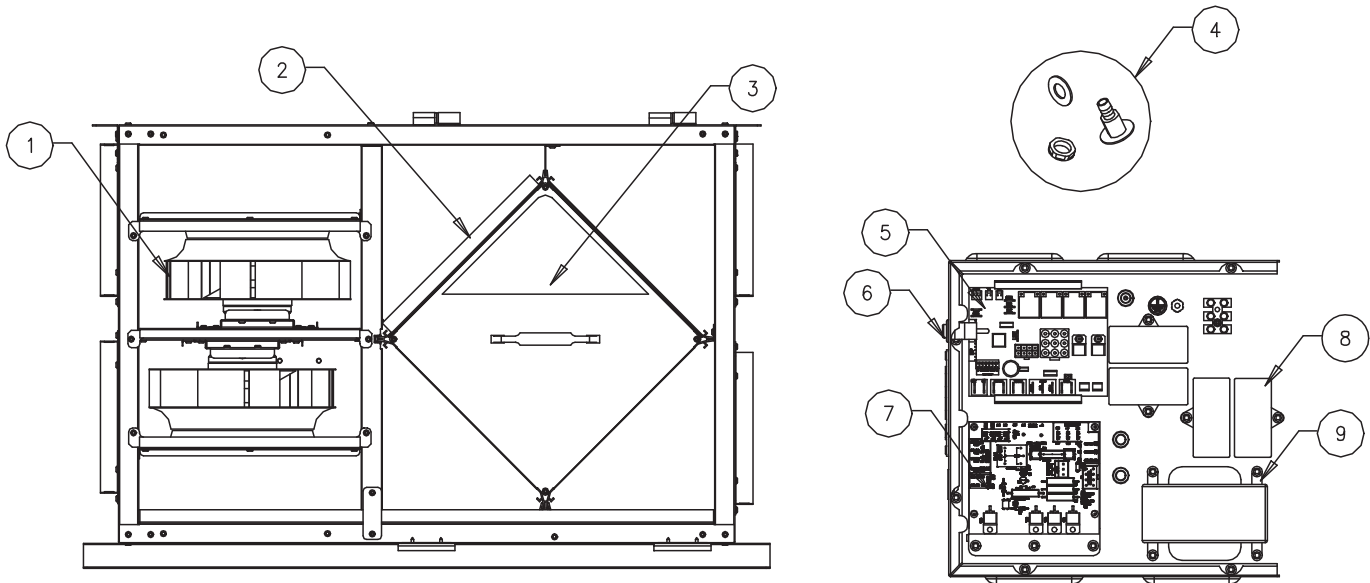
Commercial Energy Recovery Ventilator



BOM #	Description	SER5504 (44925)
1	Motor Assy, R2E 250-BC51	403475
2	Electrostatic Filters Kit 11.5" x 15"	40459
3	Energy Recovery Cell	422695 x2
4	Kit Drain Plug	40315 x2
	Drain, T	410788
5	PCB, UNICTRL	402004
6	Rocker Switch	410213
7	PCB, HCE	420457
8	Capacitors 30uF	412303
9	Auto-Transformer	412437
	Temperature Probe	40286
	Fuse (8 & 12Amps)	410432
	MERV6 Filters	40458
	Wiring Diagram	420470
	Installation Manual	422468

SER8504

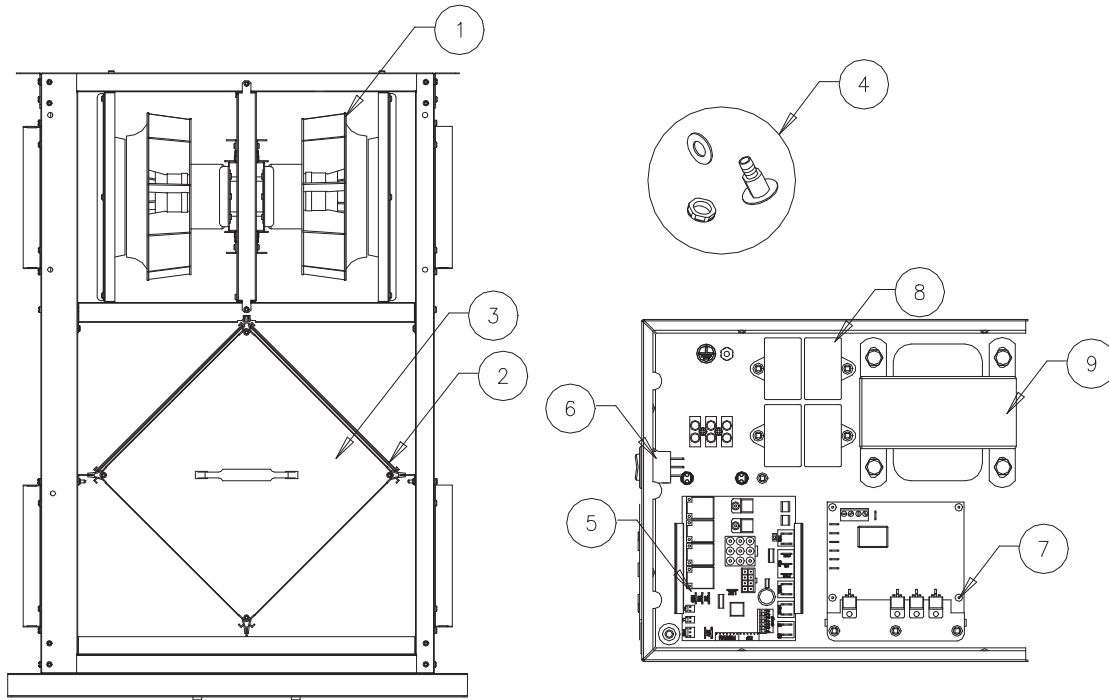
Commercial Energy Recovery Ventilator



BOM #	Description	SER8504 (44926)
1	Motor Assy, R2E 250-BC51	403475
2	Electrostatic Filters Kit 11.5" x 15"	40459
3	Energy Recovery Cell	422695 x3
4	Kit Drain Plug	40315 x2
	Drain, T	410788
5	PCB, UNICTRL	402004
6	Rocker Switch	410213
7	PCB, HCE	420457
8	Capacitors 30uF	412303
9	Auto-Transformer	412454
	Temperature Probe	40286
	Fuse (8 & 12Amps)	412479
	MERV6 Filters	40460
	Wiring Diagram	420470
	Installation Manual	422468

SER11504

Commercial Energy Recovery Ventilator



BOM #	Description	SER11504 (44927)
1	Motor Assy, R2E 250-AW-57	411728
2	Electrostatic Filters Kit 11.5" x 15"	40459
3	Heat Recovery Cell	422695 x3
4	Kit Drain Plug	40315 x2
	Drain, T	410788
5	PCB, UNICTRL	402004
6	Rocker Switch	410213
7	PCB, HCE	420457
8	Capacitors 25uF	411618
9	Auto-Transformer	412454
	Temperature Probe	40286
	Fuse (8 & 12Amps)	412479
	MERV6 Filters	40460
	Wiring Diagram	420470
	Installation Manual	422468



Customer Support:

Canada
800.565.3548
CANADAsupport@fantech.net

USA
800.747.1762
USsupport@fantech.net



Send Orders:

Canada
877.747.8116
CANADAorders@fantech.net

USA
800.487.9915
USorders@fantech.net

Fantech reserves the right to modify, at any time and without notice, any or all of its product' features, designs, components and specifications to maintain their technological leadership position.

