

J+ and JS+

REPAIR PARTS



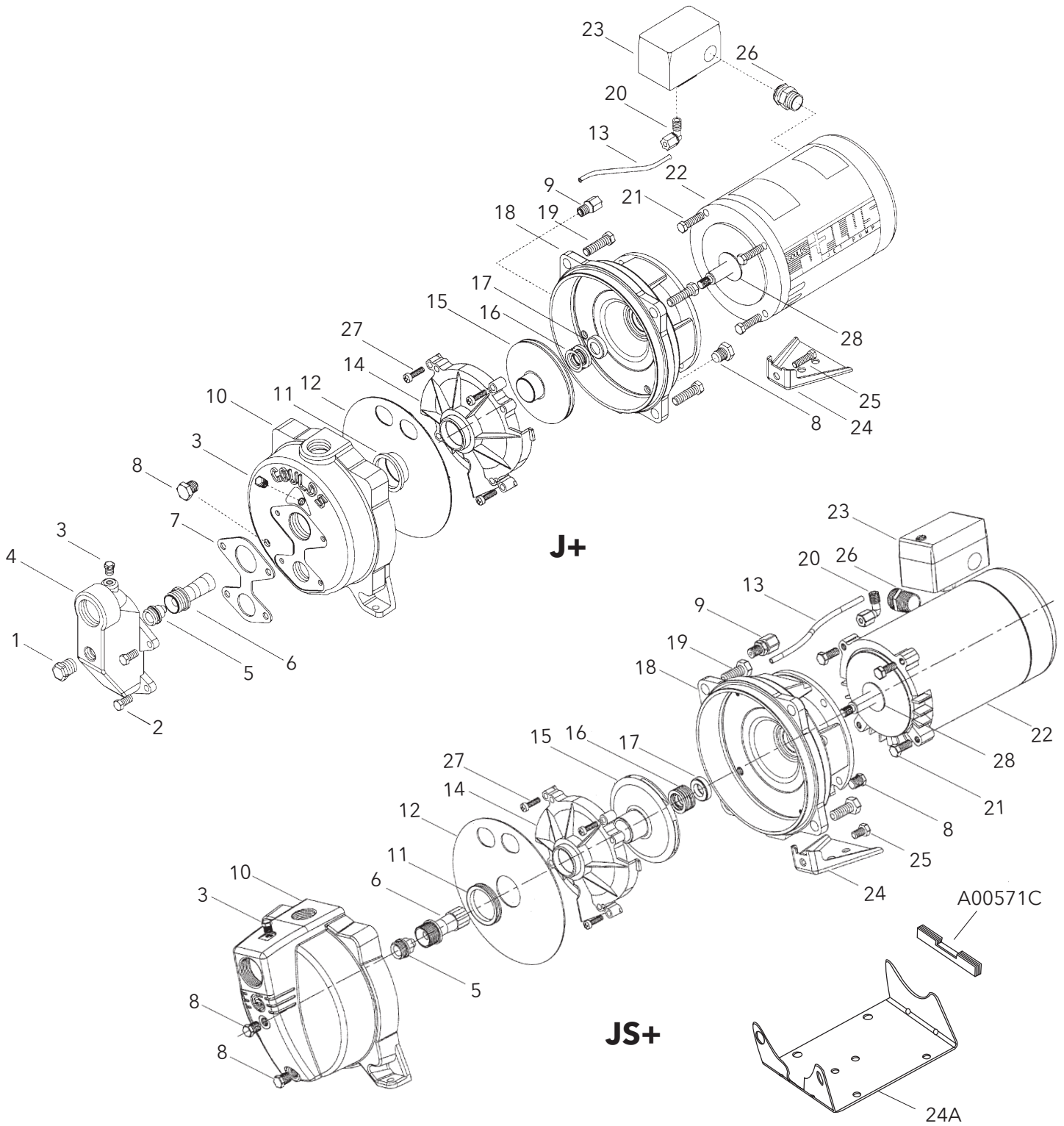
Item No.	Part Description	Material	J+ Series Repair Part No.					JS+ Series Repair Part No.				
			J5	J5H	J7	J10	J15	J5S	J5SH	J7S	J10S	J15S
1	Pipe plug - 1/2" NPT	Steel, plated	6K68					-				
2	Hex cap screw	Steel	13K1					-				
3	Pipe plug - 1/8" NPT	Steel, plated	6K1					6K1				
4	Shallow well adapter	Cast iron	4K62					-				
5	Nozzle	Delrin®	AN017	AN019	ANO18		AN022	AN017	AN019	AN018		AN022
6	Venturi tube	Lexan® on model JS+	AD3731	AD3528	AD3536	AD3538	AD3542	AD3332	AD3328	AD3336	AD3339	AD3342
		Durez® on model J+										
7	Gasket	BUNA - FDA/NSF	5K108					-				
8	Drain plug - 1/4" NPT	Steel, plated	6K2					6K2				
9	Straight connector	Polypropylene	6K100					6K100				
10	Casing	Cast iron	1K311 (59395)					1K333 (59240)				
11	Seal ring	BUNA - FDA/NSF	5K6 ①					5K6 ①				
12	Diaphragm	BUNA - FDA/NSF	5K162					5K162				
13	Tubing	Polypropylene	6K92	6K93	6K101	6K102	6K92	6K93	6K101	6K102		
14	Diffuser (guidevane)	Lexan® 10% G.F.	3K75	3K67		3K68	3K75	3K67		3K68		
15	Impeller	Noryl® 20% G.F.	2K4	2K60	2K61	2K706	2K4	2K60	2K61	2K706		
16	Mechanical seal, rotary	Teepelite	10K10					10K10				
17	Mechanical seal, stationary	Ceramic										
18	Motor adapter	Cast iron	1K310 (59394)					1K310 (59394)				
19	Casing bolts	Steel	13K102					13K102				
20	Elbow connector	Polypropylene	6K94					6K94				
21	Motor adapter bolts	Steel	13K69					13K69				
22	Motor	Stainless steel shaft	J04853R	J05853R	J06853R	J07858R	J04853R	J05853R	J06853R	J07858R		
23	Pressure switch	NA	AS4					AS4				
24	Pump foot	Steel	4K408					4K408				
24A	Pump Base Assembly with Rubber Channel Replaces foot 4K408	Steel	-			15K60	-			15K60		
25	Pump foot bolt	Steel	13K252					13K252				
26	Switch con. with locknut	Steel	6K24					6K24				
27	Fillister head machine screw	Stainless steel	13K4					13K4				
28	Deflector	BUNA	5K7					5K7				

NOT SHOWN:

Casing J05LT for tank mounted models 1K58
 Gland Nut Assembly for J05LT 4K12
 Bottom Plug for 1K58 6K59

① Use 5K6 with any bolt-in diffuser.
 Use 5K264 with snap-in diffuser (no bolts).

15K60 effective 9-05.



Xylem Inc.

2881 East Bayard Street Ext., Suite A, Seneca Falls, NY 13148

Phone: (866) 325-4210 Fax: (888) 322-5877

www.gouldswatertechnology.com

