

ECHO



STUMP GRINDER

SG340 - 340cc HONDA

PARTS MANUAL



PN: 12398
Rev 120909
Companion to 12399
SN Range: 704186 - A04843

Before You Begin

DEAR ECHO BEAR CAT CUSTOMER

Thank you for purchasing a ECHO Bear Cat product. The ECHO Bear Cat line is designed, tested, and manufactured to give years of dependable performance. To keep your machine operating at peak efficiency, it is necessary to adjust it correctly and make regular inspections. The following pages will assist you in the operation and maintenance of your machine. Please read and understand this manual before operating your machine.

If you have any questions or comments about this manual, please call us toll-free at 1-800-247-7335.

If you have any questions or problems with your machine, please call or write your local authorized ECHO Bear Cat Dealer.

This document is based on information available at the time of its publication. ECHO Bear Cat is continually making improvements and developing new equipment. In doing so, we reserve the right to make changes or add improvements to our product without obligation for equipment previously sold.

PLEASE SEND US YOUR WARRANTY CARD

A warranty card is included in your owner's kit packaged with your machine. Please take the time to fill in the information requested on the card. When you send your completed card to us, we will register your machine and start your coverage under our limited warranty.

FOR MACHINE SERVICE OR PARTS:

For service assistance, contact your nearest authorized ECHO Bear Cat dealer or the factory. For parts, contact your authorized dealer. The parts manual for your machine is available at <http://bearcatproducts.com/main/support/index.html>. Your dealer will need to know the serial number of your machine to provide the most efficient service. See below for information on how to identify and record the serial number for your machine.

FOR ENGINE SERVICE OR PARTS:

For engine service or parts, contact your nearest authorized engine dealer. ECHO Bear Cat does not handle any parts, repairs or warranties for engines.

ORDERING PARTS

Only genuine ECHO Bear Cat replacement parts should be used to repair the machine. Replacement parts manufactured by others could present safety hazards, even though they may fit on this machine. Replacement parts are available from your ECHO Bear Cat dealer.

Provide the following when ordering parts:

The SERIAL NUMBER of your machine.

The PART NUMBER of the part.

The PART DESCRIPTION.

The QUANTITY needed.

SERIAL NUMBER LOCATION

Please record the serial number in the space provided and on the warranty and registration card.

MANUFACTURED BY CRARY INDUSTRIES
WEST FARGO, NORTH DAKOTA 58078 U.S.A.
SERIAL NUMBER
MANUFACTURED IN U.S.A.

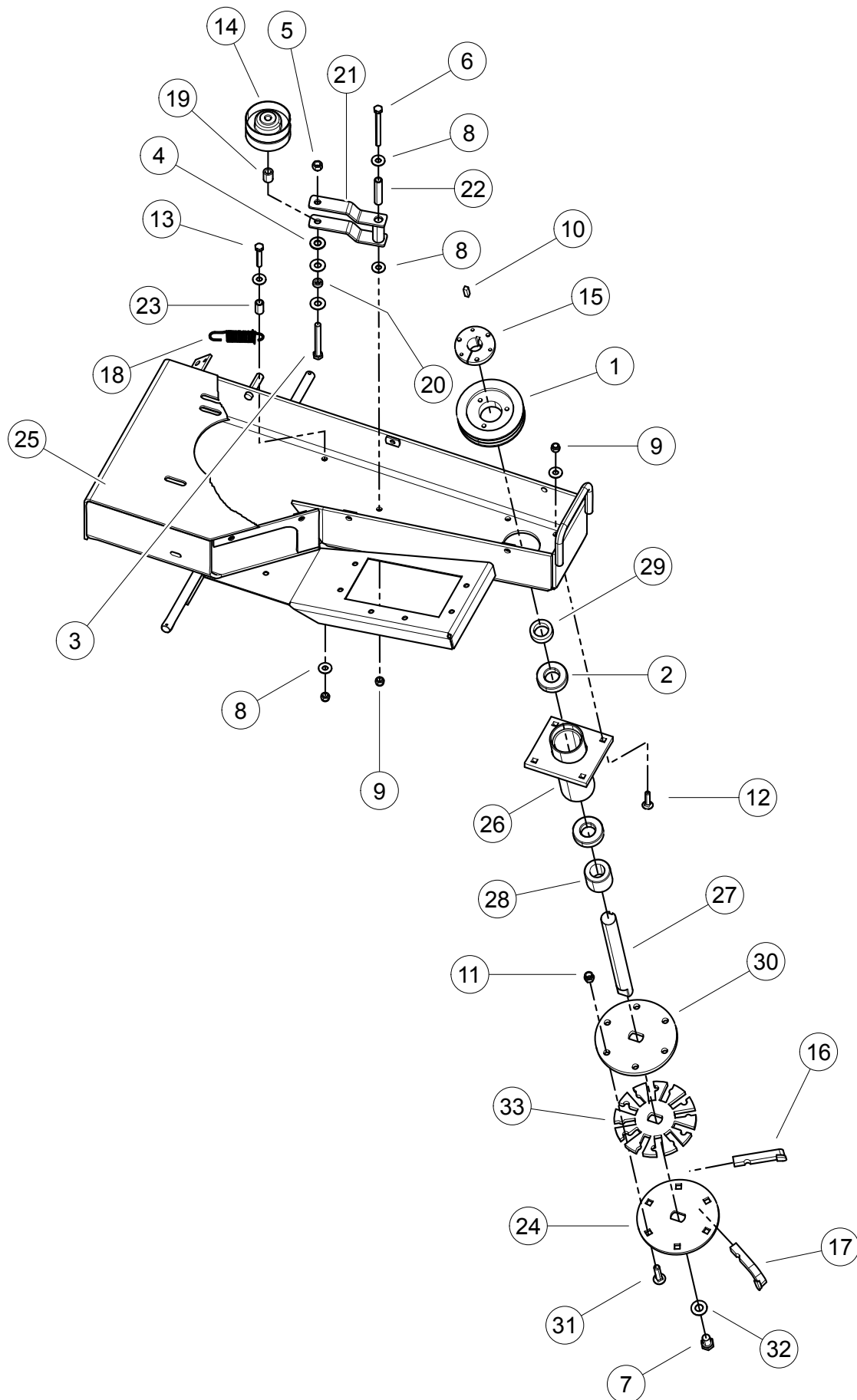
SERIAL NUMBER

HOW TO CONTACT ECHO BEAR CAT

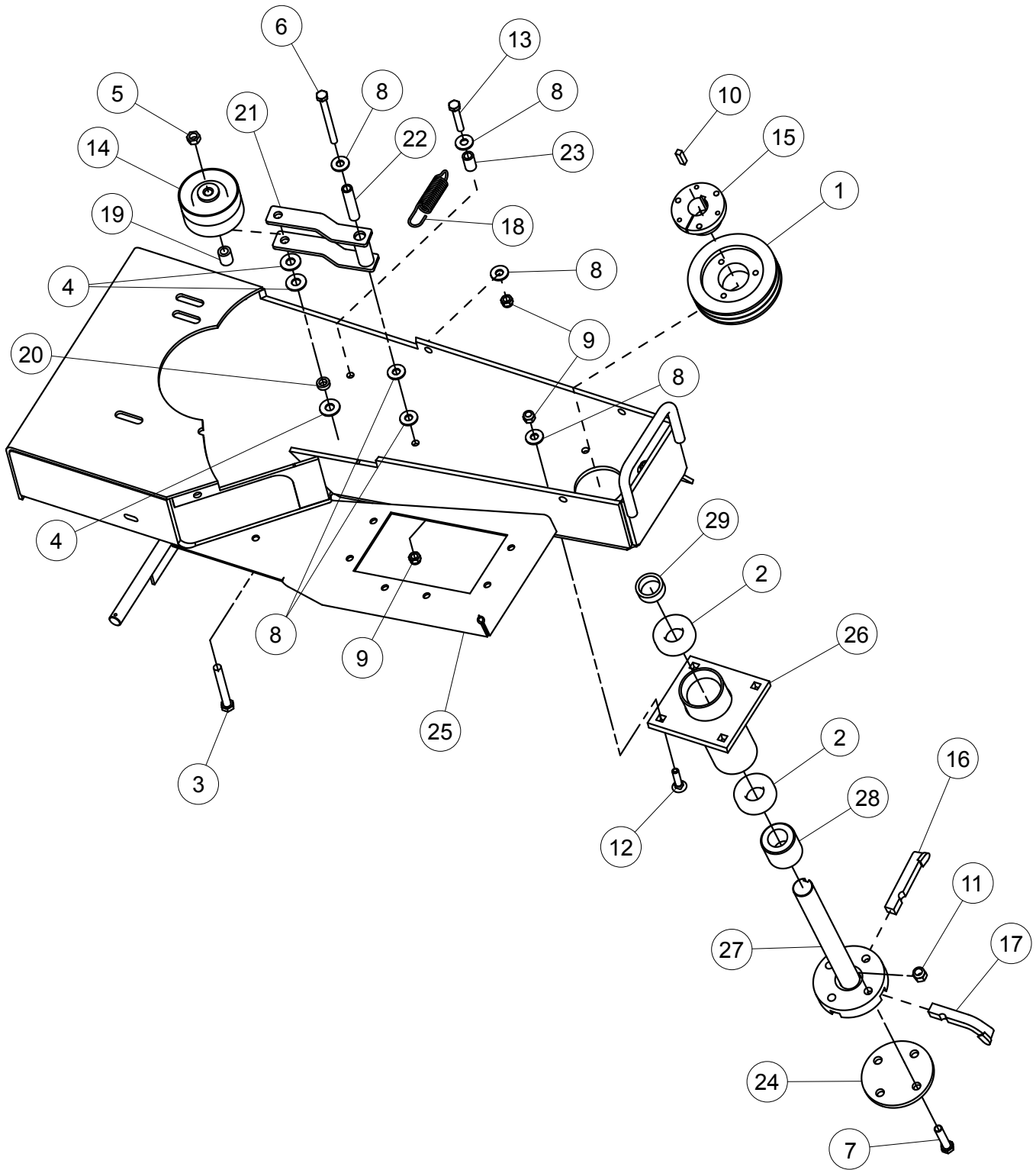
ADDRESS	PHONE	E-MAIL	HOURS
237 NW 12th Street P.O. Box 849 West Fargo, ND 58078	800-247-7335 701-282-5520 FAX: 701-282-9522	opesales@crary.com service@crary.com	Monday - Friday, 8 am to 5 pm Central Time

TABLE OF CONTENTS

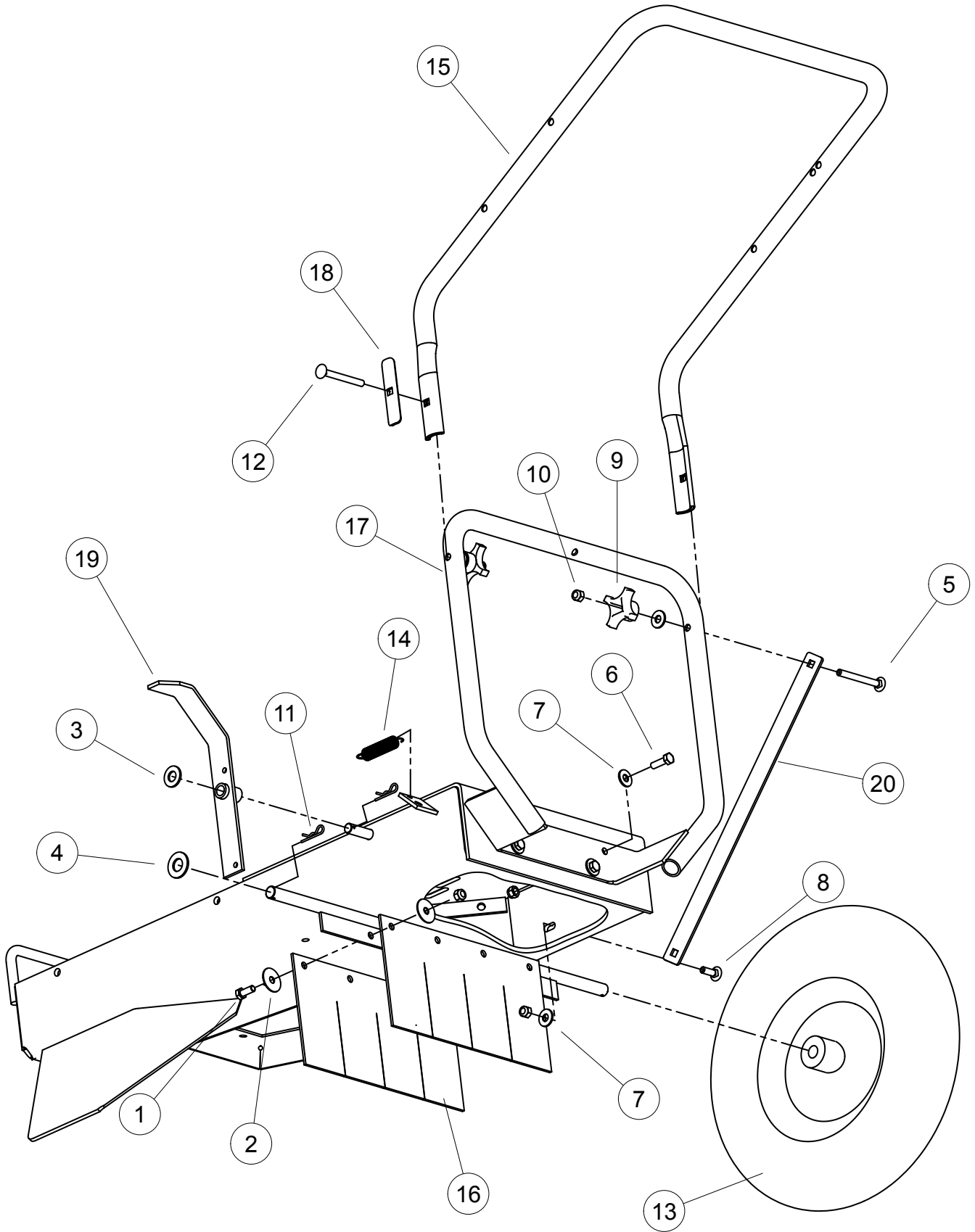
DESCRIPTION	PAGE
SPINDLE ASSEMBLY	2
SERIAL NUMBER RANGE: 810640 - A04843	
SPINDLE ASSEMBLY	4
SERIAL NUMBER RANGE: 704186 - 810639	
HANDLE & WHEEL ASSY	6
THROTTLE CABLE ASSY	8
ENGINE ASSEMBLY	10
DECALS	11
SERVICE PARTS & OPTIONS	12



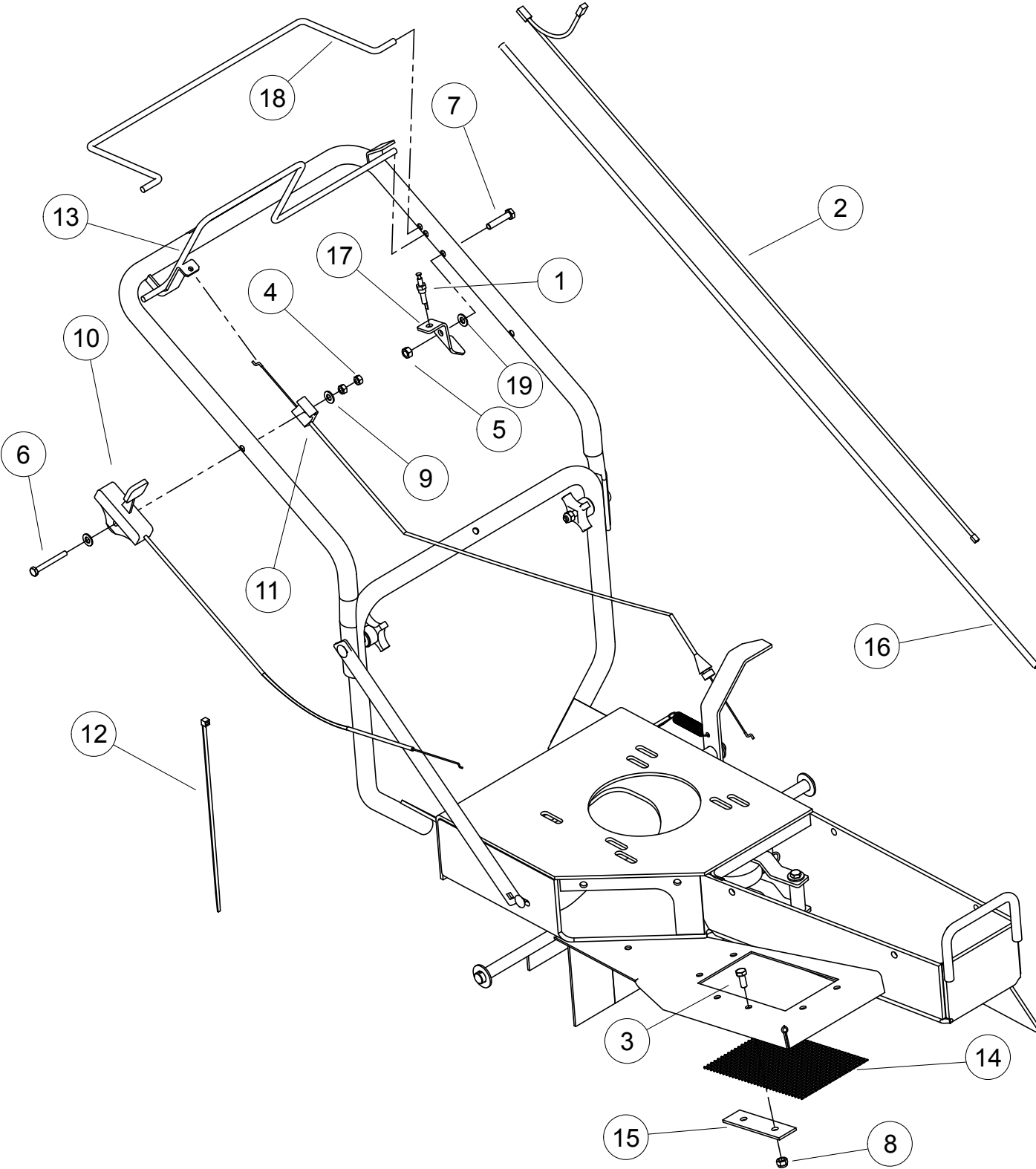
SPINDLE ASSEMBLY			
ITEM	PART NUMBER	DESCRIPTION	QTY
1	12363	SHEAVE, 3V4. 5X2-SH	2
2	12370	BEARING, 1" BALL	2
3	15009	BOLT, 3/8 NC X 3 HEX HD	1
4	15031	WASHER, 3/8" FLAT	3
5	15047	NUT, 3/8" CENTERLOCK	1
6	15124	BOLT, 5/16 X 3-1/2" HEX	1
7	15413	BOLT, 1/2 X 3/4 NF	1
8	15250	WASHER, 5/16" FLAT	32
9	15356	NUT, 5/16" NYLOCK	26
10	15365	KEY, 1/4 X 1" SQ	2
11	15388	NUT, 3/8" NYLOCK	4
12	15398	BOLT, 5/16 X 1-1/4" CRG	4
13	15403	BOLT, 5/16 X 1-3/4 HEX	1
14	16319	PULLEY, 3-1/4" FLAT IDLER	1
15	16517	BUSHING, 1.0 SH	2
16	16687	TOOTH, STRAIGHT STUMPGRINDER	4
17	16688	TOOTH, CURVED STUMPGRINDER	8
18	17692	SPRING, 3/4" OD EXTENSION	1
19	62531	TUBE, 3/4" IDLER	1
20	69239	SPACER, IDLER PIVOT	1
21	70287	IDLER ARM WELDMENT	1
22	70357	TUBE, PIVOT	1
23	70495	SPACER, .54 X .88	1
24	76249-12	PLATE, COVER STUMPGRINDER HEAD	1
25	72798-35	STUMPGRINDER FRAME WELDMENT	1
26	76257-12	SPINDLE HUB WELDMENT	1
27	76253-00	SPINDLE, SG 12 BLADE	1
28	76254-00	TUB, SPACER 1-3/4 X 1.520	1
29	72819	SPACER, 1-3/8 X 1/2"	1
30	76251-12	PLATE, DISK STUMPGRINDER HEAD	1
31	15059	BOLT, 3/8 X 1-3/4 CRG	6
32	15762-00	WASHER, 1/2 GR8 SAE FLAT	1
33	76250-12	PLATE, SPACER STUMPGRINDER HEAD	1



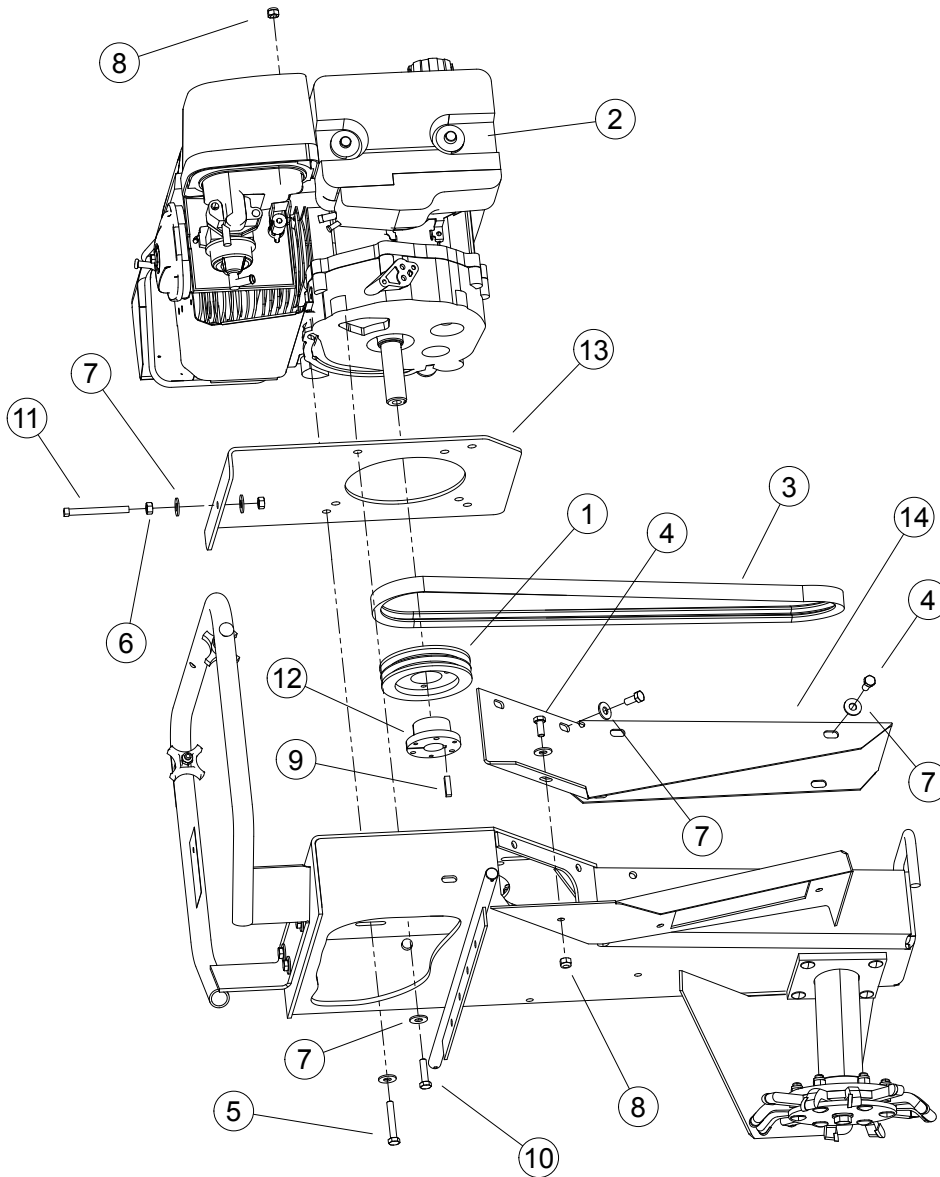
SPINDLE ASSEMBLY			
ITEM	PART NUMBER	DESCRIPTION	QTY
1	12363	SHEAVE, 3V4. 5X2-SH	2
2	12370	BEARING, 1" BALL	2
3	15009	BOLT, 3/8 NC X 3 HEX HD	1
4	15031	WASHER, 3/8" FLAT	3
5	15047	NUT, 3/8" CENTERLOCK	1
6	15124	BOLT, 5/16 X 3-1/2" HEX	1
7	15141	BOLT, 3/8 NC X 1-3/4" HEX HD	4
8	15250	WASHER, 5/16" FLAT	32
9	15356	NUT, 5/16" NYLOCK	26
10	15365	KEY, 1/4 X 1" SQ	2
11	15388	NUT, 3/8" NYLOCK	4
12	15398	BOLT, 5/16 X 1-1/4" CRG	4
13	15403	BOLT, 5/16 X 1-3/4 HEX	1
14	16319	PULLEY, 3-1/4" FLAT IDLER	1
15	16517	BUSHING, 1.0 SH	2
16	16687	TOOTH, STRAIGHT STUMPGRINDER	2
17	16688	TOOTH, CURVED STUMPGRINDER	2
18	17692	SPRING, 3/4" OD EXTENSION	1
19	62531	TUBE, 3/4" IDLER	1
20	69239	SPACER, IDLER PIVOT	1
21	70287	IDLER ARM WELDMENT	1
22	70357	TUBE, PIVOT	1
23	70495	SPACER, .54 X .88	1
24	71447	BOTTOM DISK, STUMPGRINDER	1
25	72798-35	STUMPGRINDER FRAME WELDMENT	1
26	72807-12	SPINDLE HUB WELDMENT	1
27	72814-12	STUMPGRINDER SPINDLE WELDMENT	1
28	72818	SPACER, 1-3/4 X 1.52"	1
29	72819	SPACER, 1-3/8 X 1/2"	1



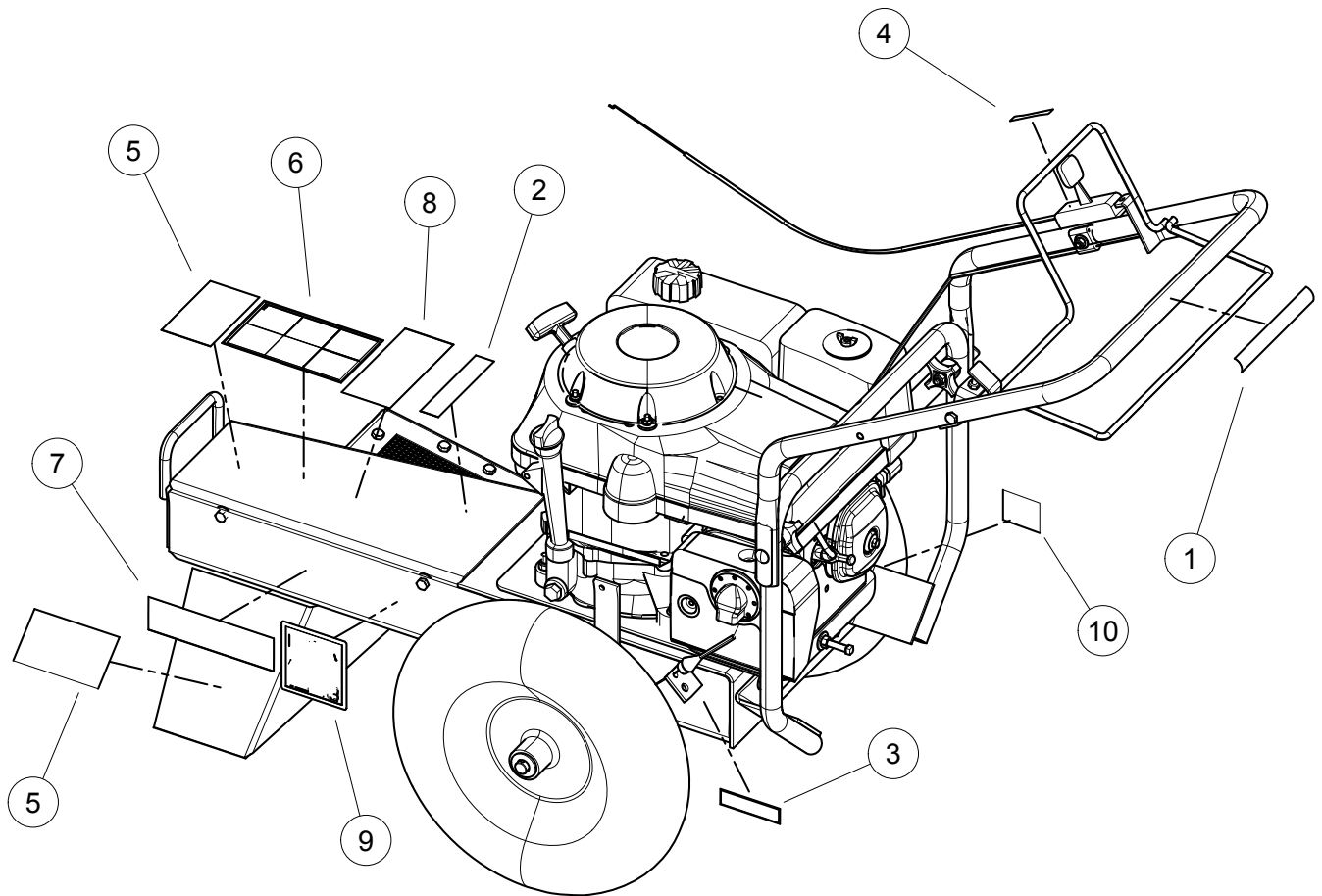
HANDLE AND WHEEL ASSEMBLY			
ITEM	PART NUMBER	DESCRIPTION	QTY
1	15003	BOLT, 5/16 X 3/4" HEX HD	17
2	15040	WASHER, 5/16" FENDER	8
3	15097	WASHER, 1/2" SAE FLAT	1
4	15129	WASHER, 5/8" SAE FLAT	2
5	15197	BOLT, 1/4 X 2-1/4" HEX HD	1
6	15219	BOLT, 5/16 X 1" HEX HD	4
7	15250	WASHER, 5/16" FLAT	32
8	15301	BOLT, 5/16 X 1" CRG	1
9	15321	KNOB, 5/16" SPOUT	2
10	15356	NUT, 5/16" NYLOCK	28
11	15368	CLIP, HAIRPIN	3
12	12533	DECAL, STUMPGRINDER INFO	1
13	16678	TIRE AND WHEEL	2
14	17520	SPRING, .555 OD X 2.75 LG	1
15	71207	HANDLE BAR, UPPER	1
16	71420	FLAP, STUMPGRINDER	2
17	71692	HANDLE BAR, LOWER	1
18	72684-12	BRACE, HANDLEBAR	1
19	72812-12	WHEEL BRAKE WELDMENT	1
20	72823-12	STRIP, HANDLEBAR SUPPORT	1



THROTTLE CABLE ASSEMBLY			
ITEM	PART NUMBER	DESCRIPTION	QTY
1	12014	SWITCH, ENGINE KILL	1
2	14947-00	WIRE ASSY, ENGINE KILL	1
3	15003	BOLT, 5/16 X 3/4" HEX HD	17
4	15087	NUT, 5/16 CENTERLOCK	2
5	15178	NUT, 5/16" CENTERLOCK	1
6	15197	BOLT, 1/4 X 2-1/4" HEX HD	1
7	15282	BOLT, 5/16 X 1-1/2" HEX	1
8	15356	NUT, 5/16" NYLOCK	26
9	15416	WASHER, 5/16 SAE FLAT	2
10	16239	CONTROL, THROTTLE	1
11	16694	CABLE, STUMPGRINDER	1
12	17320	STRAP, NYLON TIE	7
13	71402	WELDMENT, TOP BALE	2
14	71437	SCREEN, DEBRIS	1
15	71438	CLAMP, SCREEN	3
16	71708	GUARD, 1/4" WIRE	1
17	72820-12	STRIP, SWITCH MOUNT	1
18	72821-12	BOTTOM BALE WELDMENT	1
19	15712-00	WASHER, 5/16 EXT TOOTH ZP	5



ENGINE ASSEMBLY			
ITEM	PART NUMBER	DESCRIPTION	QTY
1	12363	SHEAVE, 3V4. 5X2-SH	2
2	12364	ENGINE, 11 HP HONDA	1
3	12365	BELT, 3V X 530 DOUBLE BANDED	1
4	15003	BOLT, 5/16 X 3/4" HEX HD	17
5	15140	BOLT, 5/16 X 2" HEX HD	2
6	15153	NUT, 5/16" HEX	2
7	15250	WASHER, 5/16" FLAT	32
8	15356	NUT, 5/16" NYLOCK	26
9	15365	KEY, 1/4 X 1" SQ	2
10	15496	BOLT, 5/16 X 1-1/4" NF HEX	2
11	15588	SCREW, 5/16 X 3" SQ HD SET	1
12	16517	BUSHING, 1.0 SH	2
13	72802-35	PLATE, ENGINE MOUNT	1
14	72803-35	COVER, TOP STUMP GRINDER	1



DECALS			
ITEM	PART NUMBER	DESCRIPTION	QTY
1	12017	DECAL, SG CONTROL	1
2	12501	DECAL, MODEL 73711 (SUPERCEDED BY 18944-00)	1
	18944-00	DECAL, MODEL SG340	1
3	12533	DECAL, STUMPGRINDER INFO	1
4	16238	DECAL, THROTTLE CONTROL	1
5	12254	DECAL, GRINDER DANGER	2
6	12172	DECAL, PROTECTION	1
7	17913	DECAL, SMALL BEARCAT	1
	18666-00	DECAL, SMALL BEARCAT (EURO MODELS)	1
8	14942-00	DECAL, MULTILIGUAL MANUAL	1
9	14180-00	DECAL, 87 DB	1
10	16753	DECAL, CE	1

4 BLADE TOOTH REPLACEMENT KIT (71445)		
PART NUMBER	DESCRIPTION	QTY
16687	STUMP CUTTER TEETH, STRAIGHT	2
16688	STUMP CUTTER TEETH, RH	2
15141	BOLT, 3/8" X 1-3/4" GR5 HCS ZP	4
15047	NUT, 3/8" CENTERLOCK ZP	4
71665	INSTRUCTIONS, CUTTER SHARPENING	1

12 BLADE TOOTH REPLACEMENT KIT (76292-00)		
PART NUMBER	DESCRIPTION	QTY
16687	STUMP CUTTER TEETH, STRAIGHT	4
16688	STUMP CUTTER TEETH, RH	8
15059	BOLT, 3/8 X 1-3/4 GR5 CARR BLT ZP	12
15388	NUT, 3/8" NE NYLOCK ZP	12
15762-00	WASHER, 1/2 HI-STRENGTH SAE ZP	1
15413	BOLT, 1/2-20 X 3/4" GR5 HHCS NF ZP	1

12 BLADE RETRO FIT KIT (76903-00) (SUPERSEDES RETRO FIT KIT 76256-00)		
PART NUMBER	DESCRIPTION	QTY
76904-00	ASSY., RETROFIT SG 12 BLADE CUT	1
76905-00	INSTRUCTIONS, SG 12 TOOTH CUTTER KIT	1

12 BLADE CUTTER UPGRADE KIT (76906-00)		
PART NUMBER	DESCRIPTION	QTY
15059	BOLT, 3/8 X 1 3/4" CRG	12
15388	NUT, 3/8" NYLOCK	12
76898-12	PLATE, COVER STUMP GRINDER HEAD	1
76899-00	PLATE, SPACER STUMP GRINDER HEAD	2
76900-12	PLATE, DISK STUMP GRINDER HEAD	1
76907-00	INSTRUCTIONS, SG340 CUTTER UPGRADE	1



ECHO BEAR CAT

237 NW 12th Street, West Fargo, ND 58078-0849

Phone: 701.282.5520 • Toll Free: 800.247.7335

Fax: 701.282.9522 •

E-mail: service@crary.com • opesales@crary.com

www.BearCatProducts.com

