



Installation Guide for

## **RoboSHOT HDBT High-Performance PTZ Cameras**

Including RoboSHOT 12 HDBT, RoboSHOT 30 HDBT,  
RoboSHOT 12E HDBT, and RoboSHOT 30E HDBT

# Contents

Overview .....	1
What's in this Guide .....	2
Camera Features .....	2
Unpacking the Camera .....	3
A Quick Look at the Camera .....	8
Front of the Camera .....	8
Back of the Camera – RoboSHOT 12E HDBT and RoboSHOT 30E HDBT .....	9
Back of the Camera – RoboSHOT 12 HDBT and RoboSHOT 30 HDBT .....	10
Installing the Camera .....	11
Don't Void Your Warranty! .....	11
Before You Start .....	11
Installing the Wall Mount .....	12
About Ceiling-Mounted Cameras .....	12
Video Resolution Setting .....	13
Camera Behavior Settings – RoboSHOT 12 HDBT and RoboSHOT 30 HDBT .....	14
RS-232 Serial Communication Settings .....	15
Cabling Notes .....	15
Connecting the Camera .....	16
Basic Connections – RoboSHOT 12E HDBT or RoboSHOT 30E HDBT .....	16
Basic Connections – RoboSHOT 12 HDBT or RoboSHOT 30 HDBT .....	17
Basic Connections – RoboSHOT HDBT with Camera Extension .....	18
Basic Connections – RoboSHOT HDBT Basic Conference Setup .....	19
Basic Connections – RoboSHOT HDBT Camera with Third-Party Control and Power .....	20
Options for Power and Other Connections – RoboSHOT 12 HDBT and RoboSHOT 30 HDBT .....	20
Installing the Camera .....	21
Powering Up the Camera .....	22
Status Light .....	22
Next Steps .....	22
Operation, Storage, and Care .....	23
Compliance and Conformity Statements .....	24
FCC Part 15 Compliance .....	24
ICES-003 Compliance .....	24
European Compliance .....	25
Warranty and Return Policy .....	26
Photo Credits .....	30
Index .....	31

## Overview



This guide covers the RoboSHOT® HDBT cameras:

- RoboSHOT 12 HDBT, North America – 999-9960-000 (silver/black)
- RoboSHOT 12 HDBT, Europe/UK – 999-9960-001 (silver/black)
- RoboSHOT 12 HDBT, Australia/New Zealand – 999-9960-009 (silver/black)
- RoboSHOT 12E HDBT, North America – 999-99600-000 (black); 999-99600-000W (white)
- RoboSHOT 12E HDBT, Europe/UK – 999-99600-001 (black); 999-99600-001W (white)
- RoboSHOT 12E HDBT, Australia/New Zealand – 999-99600-009 (black); 999-99600-009W (white)
- RoboSHOT 30 HDBT, North America – 999-9963-000 (black); 999-9963-000W (white)
- RoboSHOT 30 HDBT, Europe/UK – 999-9963-001 (black), 999-9963-001W (white)
- RoboSHOT 30 HDBT, Australia/New Zealand – 999-9963-009 (black); 999-9963-009W (white)
- RoboSHOT 30E HDBT, North America – 999-99630-000 (black); 999-99630-000W (white)
- RoboSHOT 30E HDBT, Europe/UK – 999-99630-001 (black); 999-99630-001W (white)
- RoboSHOT 30E HDBT, Australia/New Zealand – 999-99630-009 (black); 999-99630-009W (white)

It is also applicable to OneLINK® systems and codec bundles featuring RoboSHOT HDBT cameras:

- RoboSHOT 12 OneLINK HDMI System for Cisco Codecs, North America – 999-9575-400 (silver/black)
- RoboSHOT 12 OneLINK HDMI System for Cisco Codecs, Europe/UK – 999-9575-401 (silver/black)
- RoboSHOT 12E HDBT OneLINK HDMI System for Cisco Codecs, North America – 999-95750-400 (black), 999-95750-400W (white)
- RoboSHOT 12E HDBT OneLINK HDMI System for Cisco Codecs, Europe/UK – 999-95750-401 (black), 999-95750-401W (white)
- RoboSHOT 12 OneLINK Bridge System for Cisco Codecs, North America – 999-9675-400 (silver/black)
- RoboSHOT 12 OneLINK Bridge System for Cisco Codecs, Europe/UK – 999-9675-401 (silver/black)
- RoboSHOT 12E HDBT OneLINK Bridge System for Cisco Codecs, North America – 999-96750-400 (black), 999-96750-400W (white)
- RoboSHOT 12E HDBT OneLINK Bridge System for Cisco Codecs, Europe/UK – 999-96750-401 (black), 999-96750-401W (white)
- RoboSHOT 12 OneLINK HDMI System for Polycom Codecs, North America – 999-9545-500 (silver/black)
- RoboSHOT 12 OneLINK HDMI System for Polycom Codecs, Europe/UK – 999-9545-501 (silver/black)
- RoboSHOT 12E HDBT OneLINK HDMI System for Polycom Codecs, North America – 999-95450-500 (black), 999-95450-500W (white)
- RoboSHOT 12E HDBT OneLINK HDMI System for Polycom Codecs, Europe/UK – 999-95450-501 (black), 999-95450-501W (white)
- RoboSHOT 12 OneLINK Bridge System for Polycom Codecs, North America – 999-9645-500 (silver/black)
- RoboSHOT 12 OneLINK Bridge System for Polycom Codecs, Europe/UK – 999-9645-501 (silver/black)
- RoboSHOT 12E HDBT OneLINK Bridge System for Polycom Codecs, North America – 999-96450-500 (black), 999-96450-500W (white)
- RoboSHOT 12E HDBT OneLINK Bridge System for Polycom Codecs, Europe/UK – 999-96450-501 (black), 999-96450-501W (white)

## What's in this Guide

This guide covers:

- Unpacking the camera
- Tips for a successful installation
- Instructions for installing the camera mount
- Information on connecting and mounting the camera
- Camera power-on

Complete product information is available in the **Complete Manual for RoboSHOT HDBT High-Performance PTZ Cameras**.

Download manuals, dimensional drawings, and other information from [www.vaddio.com/support](http://www.vaddio.com/support).

## Camera Features

- HDBaseT camera with simultaneous HDMI and H.264 IP streaming (RTSP or RTMP)
- View the RTSP stream from the camera using any standards-based media viewer
- RoboSHOT 12 HDBT: Exmor<sup>®</sup> 1/2.8 type image sensor
- RoboSHOT 30 HDBT: Exmor R<sup>™</sup> back-lit 1/2.8 type, high-speed, low-noise image sensor
- RoboSHOT 12E HDBT and RoboSHOT 30E HDBT: Exmor R back-lit 1/2.5 type, high-speed, low-noise image sensor
- RoboSHOT 12 HDBT and RoboSHOT 12E HDBT: 12x optical zoom – perfect for small to medium rooms
- RoboSHOT 30 HDBT and RoboSHOT 30E HDBT: 30x optical zoom – for medium to large venues such as houses of worship, lecture theaters, IMAG systems
- Tri-Synchronous Motion<sup>™</sup> simultaneous 3-axis pan/tilt/zoom movement between presets
- Smooth, silent direct-drive motors – ultra-accurate positioning, from 120° per second down to 0.35° per second
- Designed for use with Vaddio OneLINK<sup>®</sup> camera extension devices
- Web interface for remote administration and operation, integration-ready Telnet or serial RS-232 control, presenter-friendly IR remote control

## Unpacking the Camera

Make sure you received all the items you expected. Here are the packing lists for the RoboSHOT HDBT cameras.

Download manuals, dimensional drawings, and other information from [www.vaddio.com/support](http://www.vaddio.com/support).



### Caution

Always support the camera's base when picking it up. Lifting the camera by its head or mounting arm will damage it.

**RoboSHOT 12E HDBT, North America – 999-99600-000 (black), 999-99600-000W (white)**

**RoboSHOT 12E HDBT, Europe/UK – 999-99600-001 (black), 999-99600-001W (white)**

**RoboSHOT 12E HDBT, Australia/New Zealand – 999-99600-009 (black), 999-99600-009W (white)**

- RoboSHOT 12E HDBT camera, black or white
- Thin Profile Wall Mount with mounting hardware, black or white, depending on camera color
- Vaddio IR Remote Commander
- PoE+ mid-span power injector with AC cord set(s)
- Quick-start guide



**RoboSHOT 12 HDBT, North America – 999-9960-000 (silver/black)**

**RoboSHOT 12 HDBT, Europe/UK – 999-9960-001 (silver/black)**

**RoboSHOT 12 HDBT, Australia/New Zealand – 999-9960-009 (silver/black)**

- RoboSHOT 12 HDBT camera
- Thin Profile Wall Mount with mounting hardware, black
- Vaddio IR Remote Commander
- 12 VDC, 3.0 A switching power supply with AC cord set(s)
- Quick-start guide



**RoboSHOT 30E HDBT, North America – 999-99630-000 (black), 999-99630-000W (white)**  
**RoboSHOT 30E HDBT, Europe and UK – 999-99630-001 (black), 999-99630-001W (white)**  
**RoboSHOT 30E HDBT, Australia and New Zealand – 999-99630-009 (black), 999-99630-009W (white)**

- RoboSHOT 30E HDBT camera (black or white)
- Thin Profile Wall Mount with mounting hardware, black or white, depending on camera color
- Vaddio IR Remote Commander
- PoE+ mid-span power injector with AC cord set(s)
- Quick-start guide



**RoboSHOT 30 HDBT, North America – 999-9963-000 (black), 999-9963-000W (white)**  
**RoboSHOT 30 HDBT, Europe and UK – 999-9963-001 (black), 999-9963-001W (white)**  
**RoboSHOT 30 HDBT, Australia and New Zealand – 999-9963-009 (black), 999-9963-009W (white)**

- RoboSHOT 30 HDBT camera, black or white
- Thin Profile Wall Mount with mounting hardware, black or white, depending on camera color
- Vaddio IR Remote Commander
- 12 VDC, 3.0 A switching power supply with AC cord set(s)
- Quick-start guide



**RoboSHOT 12E HDBT OneLINK HDMI System for Cisco Codecs, North America – 999-95750-400 (black), 999-95750-400W (white)**  
**RoboSHOT 12E HDBT OneLINK HDMI System for Cisco Codecs, Europe/UK – 999-95750-401 (black), 999-95750-401W (white)**

- RoboSHOT 12E HDBT camera, black or white
- Thin Profile Wall Mount with mounting hardware, black or white, depending on camera color
- Vaddio IR Remote Commander
- OneLINK HDMI interface
- 48V power supply with AC cord set(s)
- 10.25 in. (26 cm) Cisco CAB-PHD4XS2-SPLIT cable
- 3 ft. (0.9 m) cat-5 cable, black
- 1 ft. (0.3 m) directional cat-5 cable for Cisco SX20
- 3 ft. (0.9 m) HDMI cable
- EZCamera RS-232 Control Adapter
- EZCamera RS-232 Control Adapter 998-1002-232 for Cisco codec serial 9-pin ports
- Application Note: Using RoboSHOT Series Cameras with Cisco Codecs
- Quick-start guides

**RoboSHOT 12 OneLINK HDMI System for Cisco Codecs, North America – 999-9575-400 (silver/black)**

**RoboSHOT 12 OneLINK HDMI System for Cisco Codecs, Europe/UK – 999-9575-401 (silver/black)**

- RoboSHOT 12 HDBT camera
- Thin Profile Wall Mount with mounting hardware, black
- Vaddio IR Remote Commander
- OneLINK HDMI interface
- 48V power supply with AC cord set(s)
- 10.25 in. (26 cm) Cisco CAB-PHD4XS2-SPLIT cable
- 3 ft. (0.9m) cat-5 cable, black
- 1 ft. (0.3m) directional cat-5 cable for Cisco SX20
- 3 ft. (0.9m) HDMI cable
- EZCamera RS-232 Control Adapter
- EZCamera RS-232 Control Adapter 998-1002-232 for Cisco codec serial 9-pin ports
- Application Note: Using RoboSHOT Series Cameras with Cisco Codecs
- Quick-start guides

**RoboSHOT 12E HDBT OneLINK Bridge System for Cisco Codecs, North America – 999-96750-400 (black), 999-96750-400W (white)**

**RoboSHOT 12E HDBT OneLINK Bridge System for Cisco Codecs, Europe/UK – 999-96750-401 (black), 999-96750-401W (white)**

- RoboSHOT 12E HDBT camera
- Thin Profile Wall Mount with mounting hardware, black or white, depending on camera color
- Vaddio IR Remote Commander
- OneLINK Bridge interface
- 48V power supply with AC cord set(s)
- Phoenix-style connectors, qty. 4
- 10.25 in. (26 cm) Cisco CAB-PHD4XS2-SPLIT cable
- 3 ft. (0.9 m) cat-5 cable, black
- 1 ft. (0.3 m) directional cat-5 cable for Cisco SX20
- 3 ft. (0.9 m) HDMI cable
- 6 ft. (1.8 m) USB 3.0 cable, type A to type B
- EZCamera RS-232 Control Adapter
- EZCamera RS-232 Control Adapter 998-1002-232 for Cisco codec serial 9-pin ports
- Application Note: Using RoboSHOT Series Cameras with Cisco Codecs
- Quick-start guides

**RoboSHOT 12 OneLINK Bridge System for Cisco Codecs, North America – 999-9675-400 (silver/black)**

**RoboSHOT 12 OneLINK Bridge System for Cisco Codecs, Europe/UK – 999-9675-401 (silver/black)**

- RoboSHOT 12 HDBT camera
- Thin Profile Wall Mount with mounting hardware, black
- Vaddio IR Remote Commander
- OneLINK Bridge interface
- 48V power supply with AC cord set(s)
- Phoenix-style connectors, qty. 4
- 10.25 in. (26 cm) Cisco CAB-PHD4XS2-SPLIT cable
- 3 ft. (0.9 m) cat-5 cable, black
- 1 ft. (0.3 m) directional cat-5 cable for Cisco SX20
- 3 ft. (0.9 m) HDMI cable
- 6 ft. (1.8 m) USB 3.0 cable, type A to type B
- EZCamera RS-232 Control Adapter
- EZCamera RS-232 Control Adapter 998-1002-232 for Cisco codec serial 9-pin ports
- Application Note: Using RoboSHOT Series Cameras with Cisco Codecs
- Quick-start guides

**RoboSHOT 12E HDBT OneLINK HDMI System for Polycom Codecs, North America – 999-95450-500 (black), 999-95450-500W (white)**

**RoboSHOT 12E HDBT OneLINK HDMI System for Polycom Codecs, Europe/UK – 999-95450-501 (black), 999-95450-501W (white)**

- RoboSHOT 12E HDBT camera
- Thin Profile Wall Mount with mounting hardware, black or white, depending on camera color
- Vaddio IR Remote Commander
- OneLINK HDMI interface
- 48V power supply with AC cord set(s)
- 2 ft. (0.6 m) fan-out cable for Polycom, codec side
- 3-position Phoenix-style connector
- EZCamera RS-232 Control Adapter
- Application Note: Using RoboSHOT Series Cameras with Polycom Codecs
- Quick-start guides

**RoboSHOT 12 OneLINK HDMI System for Polycom Codecs, North America – 999-9545-500 (silver/black)**

**RoboSHOT 12 OneLINK HDMI System for Polycom Codecs, Europe/UK – 999-9545-501 (silver/black)**

- RoboSHOT 12 HDBT camera
- Thin Profile Wall Mount with mounting hardware, black
- Vaddio IR Remote Commander
- OneLINK HDMI interface
- 48V power supply with AC cord set(s)
- 2 ft. (0.6 m) fan-out cable for Polycom, codec side
- 3-position Phoenix-style connector
- EZCamera RS-232 Control Adapter
- Application Note: Using RoboSHOT Series Cameras with Polycom Codecs
- Quick-start guides



**RoboSHOT 12E HDBT OneLINK Bridge System for Polycom Codecs, North America – 999-96450-500 (black), 999-96450-500W (white)**

**RoboSHOT 12E HDBT OneLINK Bridge System for Polycom Codecs, Europe/UK – 999-96450-501 (black), 999-96450-501W (white)**

- RoboSHOT 12E HDBT camera
- Thin Profile Wall Mount with mounting hardware, black or white, depending on camera color
- Vaddio IR Remote Commander
- OneLINK Bridge interface
- 48V power supply with AC cord set(s)
- 3-position Phoenix-style connectors, qty. 4
- 2 ft. (0.6 m) fan-out cable for Polycom, codec side
- 6 ft. (1.8 m) USB 3.0 cable, type A to type B
- EZCamera RS-232 Control Adapter
- Application Note: Using RoboSHOT Series Cameras with Polycom Codecs
- Quick-start guides

**RoboSHOT 12 OneLINK Bridge System for Polycom Codecs, North America – 999-9645-500 (silver/black)**

**RoboSHOT 12 OneLINK Bridge System for Polycom Codecs, Europe/UK – 999-9645-501 (silver/black)**

- RoboSHOT 12 HDBT camera
- Thin Profile Wall Mount with mounting hardware, black
- Vaddio IR Remote Commander
- OneLINK Bridge interface
- 48V power supply with AC cord set(s)
- 3-position Phoenix-style connectors, qty. 4
- 2 ft. (0.6 m) fan-out cable for Polycom, codec side
- 6 ft. (1.8 m) USB 3.0 cable, type A to type B
- EZCamera RS-232 Control Adapter
- Application Note: Using RoboSHOT Series Cameras with Polycom Codecs
- Quick-start guides

## A Quick Look at the Camera

The cameras in the RoboSHOT line are similar in appearance.

- RoboSHOT 12 HDBT is silver, with a black base and stepped lens bezel
- RoboSHOT 30 HDBT is available in black or white, and has a fluted lens bezel
- RoboSHOT 12E HDBT and RoboSHOT 30E HDBT are available in black or white, and have smooth lens bezels

The image below shows a RoboSHOT 30 HDBT camera.

### Front of the Camera



#### Camera and Zoom Lens

- **RoboSHOT 12 HDBT:** 12x optical zoom in Super-Wide mode, 10x optical zoom in normal mode. Recommended for small to medium sized conference rooms.
- **RoboSHOT 12E HDBT:** 12x optical zoom; recommended for small to medium sized conference rooms.
- **RoboSHOT 30 HDBT and RoboSHOT 30E HDBT:** 30x optical zoom; best suited to larger rooms.

**IR Sensors:** Sensors in the front of the camera base receive signals from the remote. Make sure there's nothing directly in front of the camera base, and point the remote at the camera.

**Status indicator:** The multicolored LED indicates the camera's current state.

**Really Cool Logo Badge (RCLB):** Attractive and shiny, with a sophisticated brushed-metal finish.

## Back of the Camera – RoboSHOT 12E HDBT and RoboSHOT 30E HDBT

Rear panel connections are identical for the RoboSHOT 12E HDBT and RoboSHOT 30E HDBT cameras.



From left to right:

- **OneLINK HDBaseT:** RJ-45 connector. Connect to the network via PoE+ injector or OneLINK device for power, video, streaming, and control via the web interface or Telnet session.
- **HDMI:** HDMI video output connector.
- **HD Video Resolution Select:** Rotary switch to select the video output resolution. See [Video Resolution Setting](#).

**Note**

*A label on the bottom of the camera lists the rotary switch settings.*

## Back of the Camera – RoboSHOT 12 HDBT and RoboSHOT 30 HDBT

Rear panel connections are identical for the older RoboSHOT 12 HDBT and RoboSHOT 30 HDBT cameras.



From left to right:

- **12 VDC, 3.0 A:** EIAJ-04 jack for local power. Connect only the power supply shipped with the camera or approved replacement 12 VDC, 3A power supply. This connection is not needed if you use a OneLINK device or a PoE+ power injector.
- **OneLINK HDBaseT:** RJ-45 connector. Connect to the network (optionally via PoE+ injector) or to a OneLINK device for streaming and for control via the web interface or Telnet session.
- **HDMI:** HDMI video output connector.
- **HD Video Resolution Select:** Rotary switch to select the video output resolution. See [Video Resolution Setting](#).
- **Camera Settings:** DIP switches to set camera behaviors such as IR remote frequency, baud rate and image flip. See [Camera Behavior Settings – RoboSHOT 12 HDBT and RoboSHOT 30 HDBT](#) for more information.

### Note

A label on the bottom of the camera lists the rotary and DIP switch settings.

## Installing the Camera

This section covers:

- Selecting the location for the camera
- Installing the camera mount
- Information on cables and RS-232 communication
- Settings for the physical switch(es) on the camera
- Connection diagrams
- Mounting the camera

And a required safety note here:

### **Note**

*PoE type networks connected to this equipment are for intra-building use only and should not be connected to lines that run outside of the building in which this product is located.*

## Don't Void Your Warranty!



### **Caution**

*Always support the camera's base when picking it up. Lifting the camera by its head or mounting arm will damage it.*

### **Caution**

*This product is for indoor use. Use an appropriate protective enclosure if installing it outdoors or in a humid environment.*

*Do not install or operate this product if it has been dropped, damaged, or exposed to liquids. If any of these things happen, return it to Vaddio for safety and functional testing.*

### **Caution**

*If using a DC power supply with this product, use the power supply included with it or recommended for use with it. Always check the output voltage listed on the power supply label, as power supplies for different products may look nearly identical. Using the wrong power supply will void the warranty, possibly causing unsafe operating conditions and damage to the product.*

## Before You Start

Things to keep in mind when deciding where to install the camera:

- Consider camera viewing angles, lighting conditions, line-of-sight obstructions, and in-wall obstructions.
- If the IR Remote Commander will be used, ensure that nothing blocks the IR lens in the camera's base.
- Ensure that the camera body can move freely and point away from the ceiling and lights.

Prepare for a successful installation:

- Be sure you can identify all cables correctly.
- Check Cat-5 cables for continuity.
- Ensure that the video resolution rotary switch and the DIP switches (if any) are set appropriately.
- *Talk to the network administrator.* If installing the camera in a non-DHCP network (one that does not automatically assign IP addresses), you may need to configure the camera with a static IP address as directed by the network administrator before connecting it to the network. Work with the network administrator to determine how to configure the equipment.

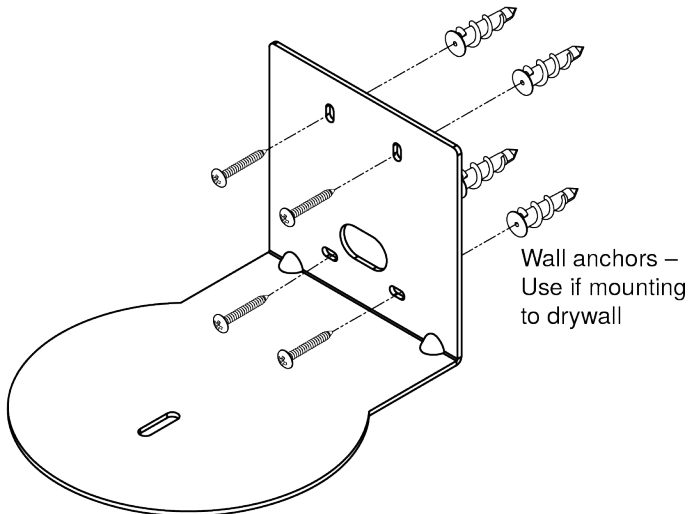
## Installing the Wall Mount

The camera is shipped with a Thin Profile Wall Mount. Other mounting options are available as well. Contact us if you don't have the camera mount you need.

If you are installing a OneLINK camera extension system with the camera, attach the EZIM (the smaller unit) to the camera mount and route the camera cables through the opening before you install the mount.

You can install the camera wall mount to a 2-gang wall box or directly to the drywall.

- If you mount it to drywall, use the wall anchors provided with the wall mount.
- If you mount it to a wall box, use the cover plate screws supplied with the wall box.



## About Ceiling-Mounted Cameras

If you use an inverted mount, set the camera's Image Flip DIP switch ON for inverted operation. This orients the video image correctly and sets the tilt motors to respond appropriately to tilt up and down commands from the remote, web interface, and connected control devices. For RoboSHOT Elite series cameras, this switch is available to the administrator on the System page of the web interface.

### **Note**

*If mounting this camera using the Half-Recessed Ceiling Mount, you will need to power the mount's IR receiver separately to use the IR remote with the camera. Use Power Extension Module 999-1005-021. This camera does not supply power to the mount's IR receiver.*

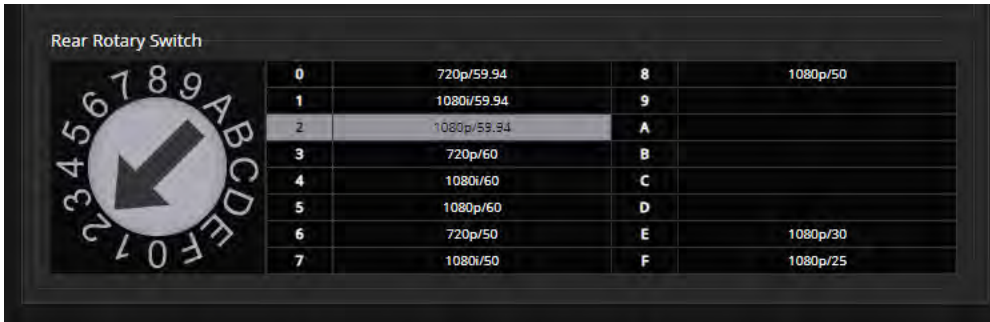
## Video Resolution Setting

Non-architectural RoboSHOT cameras use a rotary switch to set output resolution. Streaming resolution is set separately in the web interface.

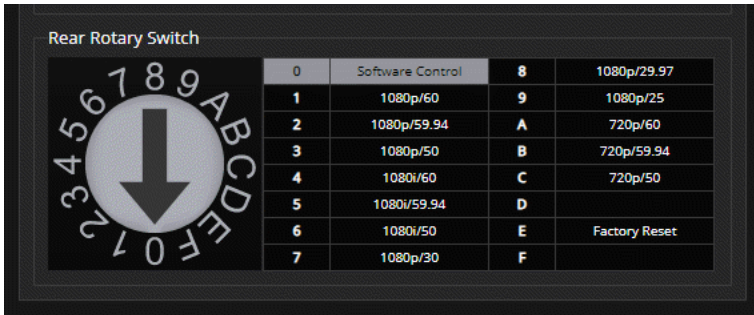
Set the desired video output resolution with the rotary switch before installing the camera. Note that the video resolutions are mapped differently on the rotary switch for the newer Elite-series cameras.

**RoboSHOT 12E HDBT and RoboSHOT 30E HDBT only:** If the camera has been updated to version 3.1.0 firmware or later, Position 0 selects software control. Set video output resolution in the web interface. The default resolution is 1080p/59.94. This capability is not available in earlier firmware versions or on the older RoboSHOT 12 HDBT and RoboSHOT 30 HDBT cameras.

### RoboSHOT 12 HDBT and RoboSHOT 30 HDBT cameras



### RoboSHOT 12E HDBT and RoboSHOT 30E HDBT cameras



## Camera Behavior Settings – RoboSHOT 12 HDBT and RoboSHOT 30 HDBT

Older RoboSHOT cameras use DIP switches to set camera behaviors; the RoboSHOT Elite series cameras set all camera behaviors in the web interface.

A label on the bottom of the camera provides a quick reference for setting the switches.

**Set the switches appropriately before mounting the camera.**

After the camera is installed, you can read the switches from the camera's web interface.

**Note**

*When the camera is not inverted, DIP switches are in their default positions when they are up.*



(RoboSHOT 30 HDBT shown; Switch 5 is Super Wide Mode if the camera is a RoboSHOT 12 HDBT.)

**IR1, IR2, IR3 (Frequency Selection):** If there are multiple cameras in the room, use **switches 1 and 2** to configure each with a different IR frequency to allow the IR Remote Commander to control them independently. Then use the Camera Select buttons at the top of the remote to select the camera you want to control.

- SW1 and SW2 up: IR frequency 1
- SW1 down, SW2 up: IR frequency 2
- SW1 up, SW2 down: IR frequency 3

**IR:** Leave **switch 3** UP if the IR remote will be used.

**Image Flip:** If mounting the camera upside-down, set **switch 4** DOWN: IMAGE FLIP ON. This orients the video image correctly and sets the tilt motors to respond appropriately to tilt up and down commands from the remote, web interface, and connected control devices.

**Super Wide Mode (RoboSHOT 12 HDBT only):** To use Super-wide mode, set **switch 5** DOWN. This gives 12X zoom with a 73° horizontal field of view. Normal mode provides 10X zoom with a 67.2° horizontal field of view (HFOV).

**Baud Rate:** Set **switch 6** to the baud rate of the RS-232-capable control device connected via OneLINK. The default is 9600 bps. The 38400 baud setting is optional if the connected control device supports it.

Leave **Switch 7** UP unless sRGB color output is needed.

For RoboSHOT 30 HDBT, **Switch 5** is not used. **Switch 8** is not currently used on either RoboSHOT 12 HDBT or RoboSHOT 30 HDBT.



## RS-232 Serial Communication Settings

The RS-232 serial port (color-coded blue) provides a means of controlling the camera from a third-party device. Be sure the camera is set to the same baud rate as the external control device.

If the camera is powered by a OneLINK device, an RS-232 port is available on the OneLINK for an external control device. Be sure the camera is set to the same baud rate as the external control device.

Specification	Value
Communication Speed	9600 or 38400 baud, selectable
Number of start bits	1
Number of stop bits	1
Number of data bits	8
Parity	None
Flow control	None

The camera's default baud rate is 9600. The 38400 baud setting is optional if the connected device supports it.

## Cabling Notes

### Caution

When making cables, do not use pass-through RJ-45 connectors. If they are crimped incorrectly, they can damage the connectors on the product, cause intermittent connections, and degrade signal quality. Physical damage to the connectors may void your warranty.



**Intact** – will make reliable contact with cable connector



**Damaged** – Bent contact fingers will NOT make reliable contact with cable connector

Use Cat-5e or better cable. We recommend using high-quality connectors and a high-quality crimping tool. We recommend shielded cabling if the cables will be coiled, run tightly with other cables, or placed close sources of electromagnetic interference such as power lines.

### Caution

Check your cables. Connecting a cable to the wrong port or using the wrong pin-out can result in equipment damage and will void the warranty.



### Pro Tip

To prevent tragic mishaps, label both ends of every cable.

## Connecting the Camera

### Note

**Talk to the network administrator before you connect the equipment.**

If you install this equipment on a non-DHCP network (one that uses only static IP addresses), you may need to configure the camera with a static IP address before you connect it to the network. Work with the network administrator to determine how to configure the equipment.

Refer to the **Complete Manual for RoboSHOT HDBT High-Performance PTZ Cameras** (System Administration section) for information on configuring static IP addresses.

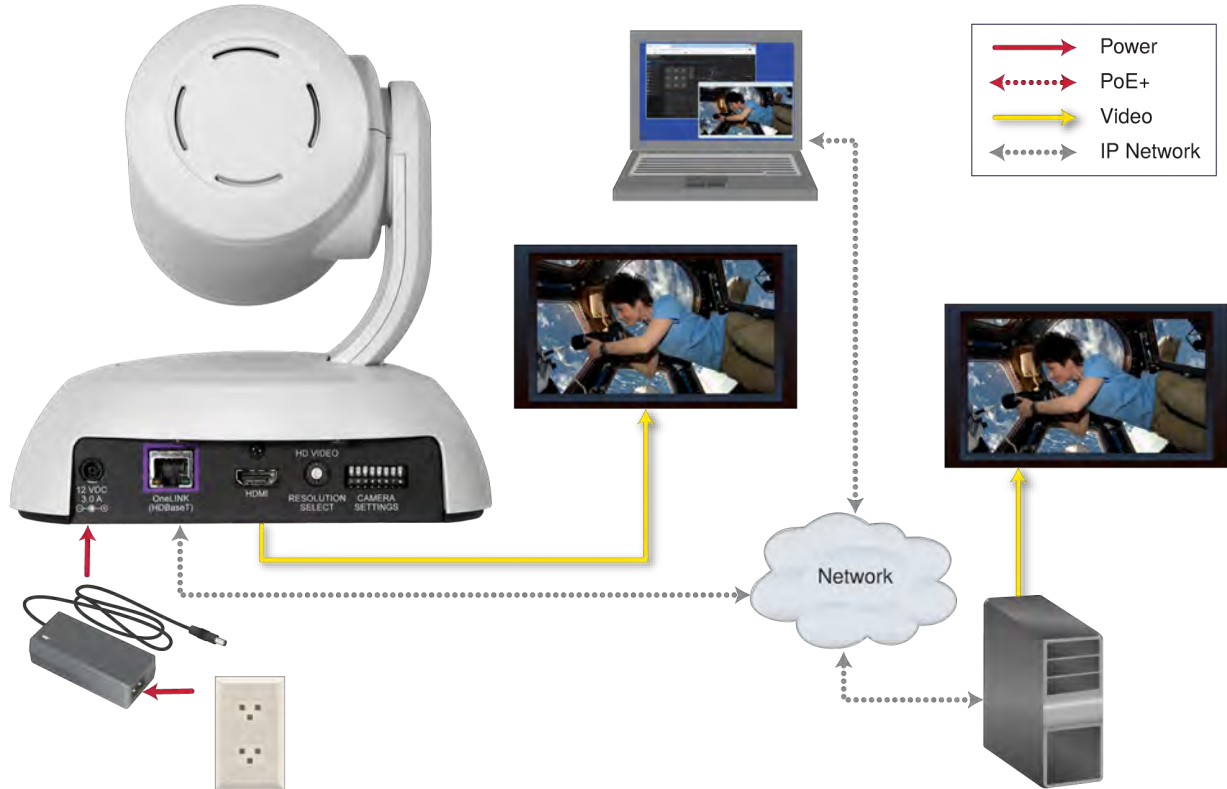
### Basic Connections – RoboSHOT 12E HDBT or RoboSHOT 30E HDBT

This diagram shows a basic installation for a RoboSHOT 12E HDBT or RoboSHOT 30E HDBT. The older RoboSHOT HDBT cameras can be connected in the same way, using a PoE+ mid-span power injector.



## Basic Connections – RoboSHOT 12 HDBT or RoboSHOT 30 HDBT

This diagram shows a basic installation for a RoboSHOT 12 HDBT or RoboSHOT 30 HDBT camera.



## Basic Connections – RoboSHOT HDBT with Camera Extension

This diagram shows a RoboSHOT 12 HDBT camera connected to a OneLINK HDMI interface to extend power, video, and control over a single cable. The RoboSHOT 12E HDBT, RoboSHOT 30 HDBT, and RoboSHOT 30E HDBT can be connected in the same way.



## Basic Connections – RoboSHOT HDBT Basic Conference Setup

This diagram shows a RoboSHOT 12 HDBT camera with a OneLINK Bridge interface in a basic conference room installation. The RoboSHOT 12E HDBT, RoboSHOT 30 HDBT, and RoboSHOT 30E HDBT can be connected in the same way. Note that the speakers must be connected to an amplifier.



## Basic Connections – RoboSHOT HDBT Camera with Third-Party Control and Power

This example shows basic connections using a Crestron device. This diagram shows a RoboSHOT 12 HDBT camera. The RoboSHOT 12E HDBT, RoboSHOT 30 HDBT, and RoboSHOT 30E HDBT can be connected in the same way. Connection details vary depending on the equipment and functionality to be used in your installation.



## Options for Power and Other Connections – RoboSHOT 12 HDBT and RoboSHOT 30 HDBT

**Use the provided 12 VDC power supply** – Network and video output require separate connections.

**Connect the camera to a OneLINK® device** – A single Cat-5e (or better) cable to the OneLINK/HDBaseT connector provides power, control, network, and video connectivity. Network, video output, and RS-232 control are connected at the OneLINK receiver. Do not use the camera's 12 VDC power supply in this configuration.

**Use a PoE+ power injector** – Connect to the network through a PoE+ power injector. Video output requires a separate connection. In most cases, you do not need to use the camera's 12 VDC power supply in this configuration.

## Installing the Camera

Be sure you have already set the camera's switches.

### Caution

*Check your cables. Connecting a cable to the wrong port or using the wrong pin-out can result in equipment damage and will void the warranty.*

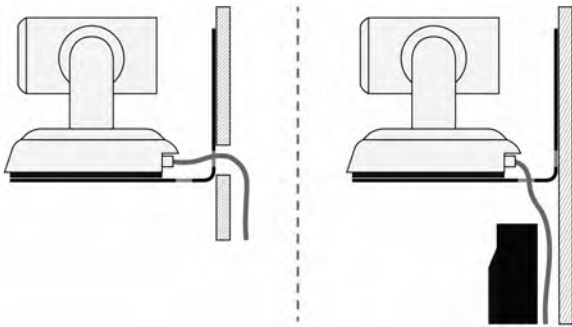
1. Route the cables to the camera location.
2. Route the cables through the mount, and install the mount on the wall or attach it to the wall box. Leave the screws loose enough to adjust the position of the mount.
3. Level the mount and tighten the mounting screws.
4. Connect the cables to the camera.

### Caution

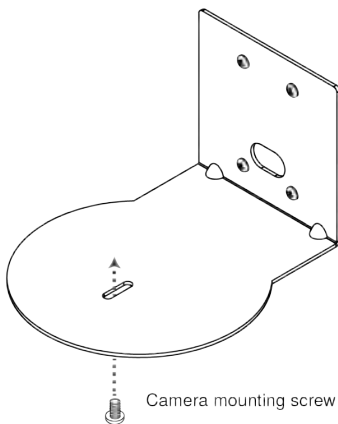
*If using local power rather than connecting to a OneLINK extension module or using PoE+, use the power supply shipped with the camera. Using a different power supply may create an unsafe operating condition or damage the camera, and will void the warranty.*

### Caution

5. Place the camera on the mount.



6. Attach the camera to the mount using the 1/4"-20 x .375 mounting screw supplied with the camera.



*Images for illustration only; not to scale. Camera and mount details may differ.*

## Powering Up the Camera

Connect camera power.

The camera will run a self-test routine and move to its home position. This will take a few seconds.

When the camera is initialized and ready, video is available and the status light is blue. At this point, the camera is ready to accept control information.

### **Note**

*Wait until the camera finishes initializing before trying to operate or control it.*

## Status Light

The light in the camera's base indicates its current state.

- **Blue:** Normal operation (blinks once when the camera receives a command from the remote)
- **Red:** On-air tally (signal provided by external device via serial connection)
- **Blinking red:** Video is muted (UC color scheme only)
- **Purple:** In standby mode or booting
- **Yellow:** Firmware update in progress

### **Caution**

*Do not remove power or reset the camera while the indicator is yellow, showing a firmware update in progress. Interrupting a firmware update can make the camera unusable.*

### **Note**

*By default, the camera's status light is active during normal operation; however, it can be configured to remain off when the camera is powered up. The camera may be sending video even if the indicator light is off.*

## Next Steps

The camera is now ready to configure and use. This information is available in the **Complete Manual for RoboSHOT HDBT High-Performance PTZ Cameras**.



## Operation, Storage, and Care

For smears or smudges on the product, wipe with a clean, soft cloth. Use a lens cleaner on the lens. Do not use any abrasive chemicals.

Keep this device away from food and liquids.

Do not operate or store the device under any of the following conditions:

- Temperatures above 40°C (104°F) or below 0°C (32°F)
- High humidity, condensing or wet environments
- Inclement weather
- Severe vibration
- Inside a cement mixer
- Dry environments with an excess of static discharge

*Do not attempt to take this product apart. There are no user-serviceable components inside.*

And a friendly reminder from our Training department...

As much as you might love our gear, do not attempt to romance your camera. As a robot it cannot return your love.



## Compliance and Conformity Statements

Compliance testing was performed to the following regulations:

FCC Part 15 (15.107, 15.109), Subpart B	Class A
ICES-003, Issue 54: 2012	Class A
EMC Directive 2014/30/EU	Class A
EN 55032: 2015	Class A
EN 55024: November 2010	Class A
KN24 2008 (CISPR 24: 1997 + A1: 2000 + A2: 2002)	Class A
IEC 60950-1:2005 (2nd Edition); Am 1: 2009 + Am 2: 2013	Safety
EN 60950-1: 2006 + A11: 2009 + A1: 2010 + A12: 2011 + A2: 2013	Safety

### FCC Part 15 Compliance

This equipment has been tested and found to comply with the limits for a Class A digital device, pursuant to Part 15, Subpart B, of the FCC Rules. These limits are designed to provide reasonable protection against harmful interference when the equipment is operated in a commercial environment. This equipment generates, uses, and can radiate radio frequency energy and, if not installed and used in accordance with the instruction manual, may cause harmful interference to radio communications. Operation of this equipment in a residential area is likely to cause harmful interference in which case the user will be required to correct the interference at his/her own expense.

Operation is subject to the following two conditions: (1) This device may not cause interference, and (2) This device must accept any interference including interference that may cause undesired operation of the device.

Changes or modifications not expressly approved by Vaddio can affect emission compliance and could void the user's authority to operate this equipment.



### ICES-003 Compliance

This digital apparatus does not exceed the Class A limits for radio noise emissions from digital apparatus set out in the Radio Interference Regulations of the Canadian Department of Communications.

Le présent appareil numérique n'émet pas de bruits radioélectriques dépassant les limites applicables aux appareils numériques de la classe A prescrites dans le Règlement sur le brouillage radioélectrique édicté par le ministère des Communications du Canada.



## European Compliance

This product has been evaluated for Electromagnetic Compatibility under the EMC Directive for Emissions and Immunity and meets the requirements for a Class A digital device. In a domestic environment this product may cause radio interference in which case the user may be required to take adequate measures.

Standard(s) To Which Conformity Is Declared:



**EMC Directive 2014/30/EU**

**EN 55032: 2015**

Conducted and Radiated Emissions

**EN 55024: November 2010**

Immunity

EN 61000-4-2: 1995 + Amendments A1: 1998 + A2: 2001

Electrostatic Discharge

EN 61000-4-3: 2006 + A1: 2008

Radiated Immunity

EN 61000-4-4: 2004 + Corrigendum 2006

Electrical Fast Transients

EN 61000-4-5: 2006

Surge Immunity

EN 61000-4-6: 2009

Conducted Immunity

EN 61000-4-8: 2010

Power Frequency Magnetic Field

EN 61000-4-11: 2004

Voltage Dips, Interrupts and Fluctuations

**KN24 2008 (CISPR 24: 1997 + A1: 2000 + A2: 2002)**

IT Immunity Characteristics

EN 61000-4-2

Electrostatic Discharge

EN 61000-4-3

Radiated Immunity

EN 61000-4-4

Electrical Fast Transients

EN 61000-4-5

Surge Immunity

EN 61000-4-6

Conducted Immunity

EN 61000-4-8

Power Frequency Magnetic Field

EN 61000-4-11

Voltage Dips, Interrupts and Fluctuations

**IEC 60950-1: 2005 (2nd Edition); Am 1: 2009 + Am 2: 2013**

Safety

**EN 60950-1: 2006 + A11: 2009 + A1: 2010 + A12: 2011 + A2: 2013**

Safety

## Warranty and Return Policy

**Hardware warranty:** Two (2) year limited warranty on all parts and labor for Vaddio manufactured products. Vaddio warrants its manufactured products against defects in materials and workmanship for a period of two years from the day of purchase, to the original purchaser, if Vaddio receives notice of such defects during the warranty. Vaddio, at its option, will repair or replace products that prove to be defective. Vaddio manufactures its hardware products from parts and components that are new or equivalent to new in accordance with industry standard practices.

**Exclusions:** The above warranty shall not apply to defects resulting from improper or inadequate maintenance by the customer, customers applied software or interfacing, unauthorized modifications or misuse, mishandling, operation outside the normal environmental specifications for the product, use of the incorrect power supply, modified power supply or improper site operation and maintenance. OEM and special order products manufactured by other companies are excluded and are covered by the manufacturer's warranty.

**Vaddio Customer Service:** Vaddio will test, repair, or replace the product or products without charge if the unit is under warranty. If the product is out of warranty, Vaddio will test then repair the product or products. The cost of parts and labor charge will be estimated by a technician and confirmed by the customer prior to repair. All components must be returned for testing as a complete unit. Vaddio will not accept responsibility for shipment after it has left the premises.

**Vaddio Technical Support:** Vaddio technicians will determine and discuss with the customer the criteria for repair costs and/or replacement. Vaddio Technical Support can be contacted by email at [support@vaddio.com](mailto:support@vaddio.com) or by phone at one of the phone numbers listed on [support.vaddio.com](http://support.vaddio.com).

**Return Material Authorization (RMA) number:** Before returning a product for repair or replacement request an RMA from Vaddio's technical support. Provide the technician with a return phone number, e-mail address, shipping address, product serial numbers and original purchase order number. Describe the reason for repairs or returns as well as the date of purchase. See the General RMA Terms and Procedures section for more information. RMAs are valid for 30 days and will be issued to Vaddio dealers only. End users must return products through Vaddio dealers. Include the assigned RMA number in all correspondence with Vaddio. Write the assigned RMA number clearly on the shipping label of the box when returning the product. All products returned for credit are subject to a restocking charge without exception. Special order products are not returnable.

**Voided warranty:** The warranty does not apply if the original serial number has been removed or if the product has been disassembled or damaged through misuse, accident, modifications, use of incorrect power supply, use of a modified power supply or unauthorized repair.

**Shipping and handling:** Vaddio will not pay for inbound shipping transportation or insurance charges or accept any responsibility for laws and ordinances from inbound transit. Vaddio will pay for outbound shipping, transportation, and insurance charges for all items under warranty but will not assume responsibility for loss and/or damage by the outbound freight carrier. If the return shipment appears damaged, retain the original boxes and packing material for inspection by the carrier. Contact your carrier immediately.

**Products not under warranty:** Payment arrangements are required before outbound shipment for all out of warranty products.

**General RMA Terms and Procedures:** RMA's are valid for 30 days and will be issued to Vaddio dealers only.

- End users must return products through Vaddio dealers.
- Before a defective product can be authorized to send in for repair, it must first go through the troubleshooting process with a member of the Vaddio Technical Support team.
- Products authorized for repair must have a valid RMA (Return Material Authorization) number.
  - Vaddio RMA Team will issue the RMA number.
  - An RMA number is to be included in all correspondence with Vaddio.
  - The RMA number must appear clearly on the shipping label (not the box) when the product is returned.
  - A packing slip must be included on the inside of the box with the RMA number listed and reason for RMA return.
- Products received at Vaddio that do not have a valid RMA number clearly marked on the outside of the shipping container may be refused and returned to sender.
- Boxes showing external damage will be refused and sent back to the sender regardless of the clearly marked RMA number and will remain the responsibility of the sender.

**RMA Charges (Restocking):** All qualified returns must be made in unopened, original packaging with all original materials.

- Initial shipments of equipment that are refused upon attempted delivery, for any reason, are subject to restocking charges.
- The Dealer has up to 60 days from the date of purchase to return Vaddio product for credit for future purchases of Vaddio product only.
- The Dealer has 61 to 90 days from the date of purchase to return Vaddio product with a 15% restocking fee or \$50.00 fee, whichever amount is greater
- The Dealer has up to 30 days from the date of purchase to return OEM and other manufacturer's products with a 15% restocking fee or \$50.00 fee, whichever amount is greater.
- NOTE: Special Order products from other manufacturers (identified in the Vaddio Price Guide as noncancelable, nonreturnable and not refundable) are not eligible for advance replacement from Vaddio.

**Advance Replacement Policies:** For Vaddio manufactured products, advance replacement will be provided for up to one (1) year after the initial shipment of products.

- NOTE: OEM and other manufacturer's products are excluded from the Vaddio advance replacement policy. Advance replacement will be provided for up to 30 days after initial shipment of OEM products. Thereafter, a return to Vaddio and factory repair is offered during the other manufacturer's warranty period. Vaddio will determine if the returned product is qualified for the OEM warranty.
- NOTE: Special Order products from other manufacturers (identified in the Vaddio Price Guide as noncancelable, nonreturnable and not refundable) are not eligible for advance replacement from Vaddio.

**Advance Replacement Procedures:** The Vaddio Dealer must submit a non-revocable purchase order for advance replacement equipment at normal dealer pricing. Credit shall be issued upon complete product return (including all accessories) for dealers with Net 30 terms. For credit card accounts, charges will be assessed to the credit card for the replacement and credited back upon complete product return.

- Returns must be made in the original Vaddio packaging with all original materials if at all possible. Vaddio products with missing original materials will be billed to the dealer at dealer price.
- NOTE: OEM products must be returned in the original packaging with all materials and the RMA number written on the shipping label only and not on the OEM box. If the return is incomplete and/or the OEM box is defaced, the product shall be returned to the dealer and the RMA will not be credited.
- Equipment returned with “No Trouble Found” after advanced replacement will be assessed a full 15% or \$50.00 restocking fee (whichever is greater) for each item and may also be assessed for additional charges to compensate for wear, damages and reconditioning.
- All returns must be accompanied by RMA # as stated above.
- All Advanced Replacement products are sent via 2-day service in the continental USA. If the product is requested to be sent via priority or overnight shipping, the Dealer shall pay shipping costs. The dealer can elect to supply their preferred shipping account number.
- International customers are responsible for all freight charges for equipment returned to Vaddio, including international shipping, taxes, and duties, insurance and all other associated logistic charges.

**Warranty Repair Terms and Procedures:** Vaddio will repair any product free of charge, including parts and labor, within the terms outlined in the warranty agreement for that product.

- Customers must provide proof of the product’s purchase date.
- Product that is within the warranty period will be repaired under the non-warranty terms if:
  - The equipment has been damaged by negligence, accident, act of God, mishandling, used with the incorrect, modified or extended power supply or has not been operated in accordance with the procedures described in the operating and technical instructions.
  - The equipment has been altered or repaired by other than the Manufacturer or an authorized service representative.
  - Adaptations or accessories other than those manufactured or provided by the Manufacturer have been made or attached to the equipment, which in the determination of the Manufacturer, shall have affected the performance, safety or reliability of the equipment; or the equipment’s original serial number has been modified or removed.
- Customer is responsible for shipping charges to send defective product under warranty to Vaddio. Vaddio will pay ground service return shipping charges during the 2nd year of the warranty period.
- Standard return shipping method for products under warranty, but out of the advance replacement warranty period, is ground shipment. Extra charges associated with priority shipping, when requested, will be the responsibility of the customer.

**Non-Warranty Repair Terms:** Vaddio will repair any non-obsolete product that does not meet the terms of the warranty. Non-warranty repair terms are as follows:

- The customer is responsible for, and agrees to pay, all parts and labor costs associated with the repair. Standard non-warranty repair charges are outlined below.
- Customers must provide payment method and one of the following, prior to receiving an RMA:
  - Hard copy of a PO, for dealers with Net 30 terms and in good standing with Vaddio.
  - Valid credit card number - Credit card will be charged upon shipping repaired product back to customer.
- Request for COD: Customers will be notified of COD charges prior to shipping repaired unit.
- Customer is responsible for all shipping charges both to and from Vaddio, and may use their own carrier.
- Customers will receive a courtesy call notifying them of total repair charges prior to return shipping.

**Non-Warranty Repair Charges:** Total repair charges (per unit) for a non-warranty repair consist of the following:

- Cost of any replacement parts needed to repair the defect.
- Labor costs billed per hour after minimum charges/time.
- Labor charges include troubleshooting and repair time only.
- Burn-in time and final test time is not included in the labor charges.
- Labor time is rounded to the nearest quarter hour.
- Labor charges are billed at the prevailing rate for the category of equipment repaired, after minimum charges/time. For prevailing labor rates, please contact the Vaddio technical support.
- All shipping and handling costs are the responsibility of the customer for non-warranty repairs.

**Minimum Labor Charges:** All non-warranty repairs are subject to a minimum evaluation/repair labor charge even if there is no problem found. Please contact Vaddio technical support for the current applicable rate.

**Repair Charge Estimates:** Estimates on repair charges for a specific problem will not be given before an RMA is issued and the actual product has been evaluated by a Vaddio technician. Repair estimates will be given after the repair department receives and evaluates the unit.

- Customers requesting an estimate on repair charges must do so up front when they call in for an RMA. The RMA team will call or email with the estimate after evaluating the unit and before proceeding with the repair.
- Any product evaluated for a repair estimate is still subject to the minimum labor charges even if the customer decides not to proceed with the repair.
- Vaddio does not guarantee estimates given on repair charges. Actual repair costs may exceed the estimate.
- Customer is responsible for actual repair charges, regardless of estimate.

**Repair Policy Notes:**

- **Duration of Repair:** Products are repaired on a first come first serve basis. The turn-a-round time of a particular repair is dependent upon circumstances such as product type, the nature of the problem and current repair volumes. Requests for expedited repair service will be considered on a case-by-case basis.
- **Repair Warranty:** Vaddio guarantees all of its repair work, performed on non-warranty items, for 90 days from the day the repaired product is shipped back to the customer. If the original problem described was not resolved or reoccurs within the 90-day period, Vaddio will repair the unit free of labor charges. However additional material charges may apply unless the parts used to affect the repair are again deemed defective.

## Photo Credits

This manual may include some or all of these photos.

European Space Agency (ESA) astronaut Samantha Cristoforetti, a Flight Engineer with Expedition 42, photographs the Earth through a window in the Cupola on the International Space Station

By NASA - [https://blogs.nasa.gov/ISS\\_Science\\_Blog/2015/03/06/women-in-space-part-two-whats-gender-got-to-do-with-it/](https://blogs.nasa.gov/ISS_Science_Blog/2015/03/06/women-in-space-part-two-whats-gender-got-to-do-with-it/), Public Domain, <https://commons.wikimedia.org/w/index.php?curid=38834990>

Carl Sagan, Bruce Murray, Louis Friedman (founders) and Harry Ashmore (advisor), on the occasion of signing the papers formally incorporating The Planetary Society

By credit NASA JPL - JPL, Public Domain, <https://commons.wikimedia.org/w/index.php?curid=1180927>

Main Control Room / Mission Control Room of ESA at the European Space Operations Centre (ESOC) in Darmstadt, Germany

By European Space Agency - ESOC flickr, Credit: ESA - Jürgen Mai, CC BY-SA 3.0-igo,

<https://commons.wikimedia.org/w/index.php?curid=36743173>

Expedition 42 on orbit crew portrait, International Space Station, Mar. 7, 2015 – Barry Wilmore (Commander) Top, Upside down, to the right cosmonaut Elena Serova, & ESA European Space Agency Samantha Cristoforetti. Bottom center US astronaut Terry Virts, top left cosmonauts Alexander Samokutyaev and Anton Shkaplerov.

By NASA - <https://www.flickr.com/photos/nasa2explore/16166230844/>, Public Domain,

<https://commons.wikimedia.org/w/index.php?curid=38931301>

European Space Agency astronaut Luca Parmitano, Expedition 36 flight engineer, outside the International Space Station

By NASA - <http://spaceflight.nasa.gov/gallery/images/station/crew-36/html/iss036e016704.html>, Public Domain, <https://commons.wikimedia.org/w/index.php?curid=27263573>

Chris Cassidy, Luca Parmitano, and Karen Nyberg, ISS, 2013. Photo Credit: NASA

Nicolas Altobelli, Rosetta Scientist at ESA's European Space Astronomy Centre, Villanueva de la Cañada, Madrid, Spain

By European Space Agency - Nicolas Altobelli talks to the media, CC BY-SA 3.0-igo,

<https://commons.wikimedia.org/w/index.php?curid=36743144>

Andrea Accomazzo, ESA Rosetta Spacecraft Operations Manager, providing a live update from the Main Control Room at ESA's European Space Operations Centre, Darmstadt, Germany during the Rosetta wake-up day.

By European Space Agency - Live update from the Main Control Room, CC BY-SA 3.0-igo,

<https://commons.wikimedia.org/w/index.php?curid=36743150>

Sleeping goose

By ladypine - Own work, CC BY-SA 3.0, <https://commons.wikimedia.org/w/index.php?curid=1695227>

STS-123 and Expedition 16 crews on the STS-123 crew's last full day onboard the International Space Station.

By NASA - <http://www.spaceflight.nasa.gov/gallery/images/shuttle/sts-123/html/iss016e033684.html>, Public Domain, <https://commons.wikimedia.org/w/index.php?curid=3773505>



# Index

## A

anatomy of the camera 8-10

## B

behavior on power-up 22

## C

cable 9-10, 15  
    connectors 9-10, 15  
    please check them (PLEASE) 15  
    recommendations 15  
camera mount, installing 12  
capabilities 2  
ceiling-mounted cameras 12  
cleaning 23  
color codes for status light 22  
connection example 16-17  
connector identification 9-10  
connector pin-out, RS-232 15

## D

damage, preventing 11, 15

## H

HDMI resolution, setting 13

## I

indicator light 8, 22  
    location 8  
    meaning of colors 22  
installation, typical 16-17  
inverted installation 12  
IP address 16  
    preventing conflicts 16  
    static, configuring before installation 16

## L

LED 8, 22  
    location 8  
    meaning of colors 22  
light, status indicator 8, 22  
    location 8  
    meaning of colors 22  
locations of connectors 9-10

## M

mounting cameras 11-12, 21

## O

OneLINK 9-10, 16-17  
operating environment 23  
output resolution 13

## P

packing lists 3  
pin-out, RS-232 connector 15  
power 9-10, 16-17, 22  
    on and off 22  
    options 10, 16-17  
    PoE+ 9-10  
product capabilities 2  
product returns and repairs 26

## R

resolution 13  
RJ-45 connectors 15  
rotary switch 13  
RS-232 connector 15

## S

safety requirements 11  
shelf-mounted cameras 21  
shelf, camera mount 12  
status light 8, 22  
    location 8  
    meanings of colors 22  
storage environment 23  
switch settings 12-13  
    Image Flip 12  
    video resolution 13

## T

temperature, operating and storage 23  
typical installation 21

## V

video resolution 13

## W

wall-mounted cameras 21  
wall mount 12  
warranty 11, 26

Vaddio is a brand of Legrand AV Inc. · [www.legrandav.com](http://www.legrandav.com) · Phone 800.572.2011 / +1.763.971.4400 · Fax +1.763.971.4464 · Email [av.vaddio.support@legrand.com](mailto:av.vaddio.support@legrand.com)

Visit us at [support.vaddio.com](http://support.vaddio.com) for firmware updates, specifications, drawings, manuals, technical support information, and more.

©2019 Legrand AV Inc.

Vaddio is a registered trademark of Legrand AV Inc. All other brand names or marks are used for identification purposes and are trademarks of their respective owners. All patents are protected under existing designations. Other patents pending.

**A brand of  legrand<sup>®</sup>**

**Commercial AV Brands Chief | Da-Lite | Middle Atlantic | Projecta | Vaddio**

**vaddio<sup>®</sup>**