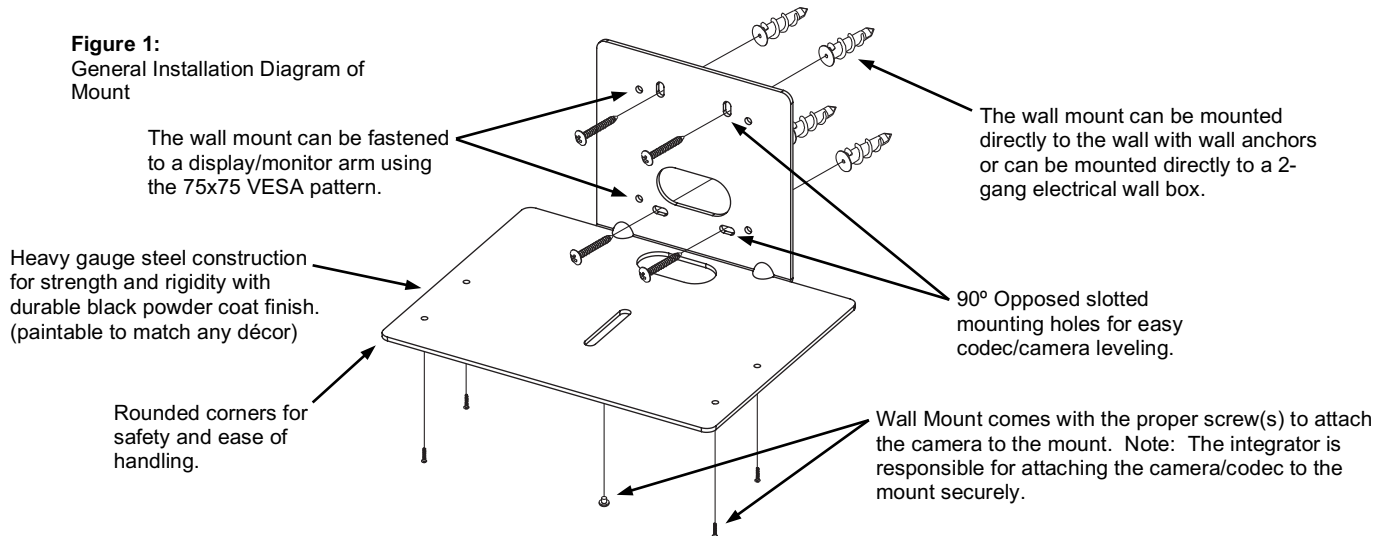





### Vaddio™ Thin Profile Wall Mount for Cisco Precision HD/60 and Polycom EagleEye IV Cameras

Thin Profile Wall Mount for Precision HD/60 and EagleEye IV Cameras - Model Number 535-2000-251

**Figure 1:**  
General Installation Diagram of Mount



Cisco Precision HD Camera	Cisco Precision 60 Camera	Polycom EagleEye IV Camera
		
<p><b>Hardware Needed (included):</b></p> <ul style="list-style-type: none"> <li>One (1) Thin profile wall mount</li> <li>Four (4) #8 x 1.25 sheet metal screws</li> <li>Four(4) EZ Anchors self drilling wall anchors</li> <li>One (1) ¼-20 x 1/2 in pan head screw</li> <li>Can be mounted to 2-gang box</li> <li>Can be mounted to display/monitor arm</li> </ul> <p><i>(Camera not included)</i></p>	<p><b>Hardware Needed (included):</b></p> <ul style="list-style-type: none"> <li>One (1) Thin profile wall mount</li> <li>Four (4) #8 x 1.25 sheet metal screws</li> <li>Four(4) EZ Anchors self drilling wall anchors</li> <li>One (1) ¼-20 x 3/8 in pan head screw</li> <li>Can be mounted to 2-gang box</li> <li>Can be mounted to display/monitor arm</li> </ul> <p><i>(Camera not included)</i></p>	<p><b>Hardware Needed (included):</b></p> <ul style="list-style-type: none"> <li>One (1) Thin Profile Wall Mount</li> <li>Four (4) #8 x 1.25 sheet metal screws</li> <li>Four(4) EZ Anchors – self drilling wall anchors</li> <li>Four (4) M3 x 6mm Screws</li> <li>Can be mounted to 2-gang box</li> <li>Can be mounted to display/monitor arm</li> </ul> <p><i>(Camera not included)</i></p>

#### MOUNTING THE CODEC/CAMERA:

The Thin Profile Wall Mounts for the Cisco Precision HD/60 and Polycom EagleEye IV can be mounted to an electrical wall box or mounted directly to a drywall surface with the supplied wall anchors or other spiral type wall anchors of the Integrator's choice. This mount also features a 75x75 VESA pattern which can be directly fastened to a compatible display/monitor mounting arm. Note: When locating the camera, consider viewing angles, lighting conditions, line of site obstructions and check for in-wall obstructions where the camera is to be mounted. Pick a location to optimize the performance of the camera. The integrator is responsible for attaching the camera/codec to the mount securely.

#### INTENDED USE:

These products were designed, built and tested for use indoors and to support the weight, size and shape of the prescribed products only. Using these mounts for any other devices could damage that device and/or create potentially unsafe operating conditions.

#### HARDWARE WARRANTY:

Please see the Vaddio website at <http://www.vaddio.com> for the Vaddio Statement of Warranty for all Vaddio Products. The Statement of Warranty covers the policies and procedures of the Hardware Warranty, Exclusions, Customer Service, Technical Support, Return Material Authorizations (RMA), Voided Warranty, Shipping and Handling and Products Not Under Warranty. The Vaddio Warranty Statement supercedes all other published warranty statements in content and coverages. Vaddio Technical Support can be contacted through the Vaddio website or through e-mail support at <mailto:support@vaddio.com>.