

# *Remote Control Unit*

---

Operating Instructions	_____	<b>GB</b>
Mode d'emploi	_____	<b>FR</b>
Manual de instrucciones	_____	<b>ES</b>
Gebrauchsanweisung	_____	<b>DE</b>

## **RM-BR300**

## Owner's Record

The model and serial numbers are located on the bottom. Record the serial number in the space provided below. Refer to these numbers whenever you call upon your Sony dealer regarding this product.

Model No. RM-BR300

Serial No. \_\_\_\_\_

### **WARNING**

**To reduce a risk of fire or electric shock, do not expose this product to rain or moisture.**

**To avoid electrical shock, do not open the cabinet. Refer servicing to qualified personnel only.**

### **WARNING**

Use the Sony MPA-AC1 AC power adapter provided with this equipment as a power supply source. Any other power sources may result in hazards such as a fire. Disconnect device of this equipment is the mains plug of the AC adapter.

The mains plug on this equipment must be used to disconnect mains power.

Please ensure that the socket outlet is installed near the equipment and shall be easily accessible.

In the event of abnormal operations, disconnect the mains plug.

### **IMPORTANT**

Nameplate is located on the bottom.

### **ATTENTION**

The electromagnetic fields at the specific frequencies may influence the picture of this unit.

### **For customers in the U.S.A.**

This equipment has been tested and found to comply with the limits for a Class B digital device, pursuant to Part 15 of the FCC Rules. These limits are designed to provide reasonable protection against harmful interference in a residential installation. This equipment generates, uses, and can radiate radio frequency energy and, if not installed and used in accordance with the instructions, may cause harmful interference to radio communications. However, there is no guarantee that interference will not occur in a particular installation. If this equipment does cause harmful interference to radio or television reception, which can be determined by turning the equipment off and on, the user is encouraged to try to correct the interference by one or more of the following measures:

- Reorient or relocate the receiving antenna.
- Increase the separation between the equipment and receiver.
- Connect the equipment into an outlet on a circuit different from that to which the receiver is connected.
- Consult the dealer or an experienced radio/TV technician for help.

*If you have any questions about this product, you may call:*

*Sony's Business Information Center (BIC) at  
1-800-686-Sony (7669)*

*or Write to: Sony Customer Information Services  
Center*

*6900-29, Daniels Parkway, PMB 330  
Fort Myers, Florida 33912*

### **Declaration of Conformity**

Trade Name: SONY  
Model No: RM-BR300  
Responsible Party: Sony Electronics Inc.  
Address: 16450 W. Bernardo Dr, San  
Diego, CA 92127 U.S.A.

Telephone Number: 858-942-2230

This device complies with part 15 of the FCC Rules.

Operation is subject to the following two conditions:

- (1) This device may not cause harmful interference, and
- (2) this device must accept any interference received, including interference that may cause undesired operation.

You are cautioned that any changes or modifications not expressly approved in this manual could void your authority to operate this equipment.

The shielded interface cable recommended in this manual must be used with this equipment in order to comply with the limits for a digital device pursuant to Subpart B of Part 15 of FCC Rules.

### **INTERFACE CABLE**

This device requires shielded interface cables to comply with FCC emission limits.

---

# Table of Contents

---

## Overview

Features .....	4
Precautions .....	4
Location and Function of Parts .....	5
Available Functions for Sony VISCA Cameras ..	8

---

## Connections and Operations

Connections .....	9
Connecting a Camera Equipped with a VISCA RS-232C Connector .....	9
Connecting a Camera Equipped with a VISCA RS-422 Connector .....	10
Connecting Multiple Cameras Equipped with VISCA RS-232C Connector .....	10
Connecting Multiple Cameras Equipped with VISCA RS-422 Connector .....	11
Connecting the BRU-300/300P Optical Multiplex Unit .....	12
Connecting a Video Switcher .....	13
Turning on the Power .....	13
Storing the Camera Settings in Memory	
– Presetting Feature .....	14
Setting the Speed of the Camera Moving to a Preset Position (BRC-300/300P and BRC-H700/ H700P only) .....	15

---

## Appendix

Troubleshooting .....	16
Specifications .....	17
Dimensions .....	17
Pin Assignments .....	18
Using the VISCA RS-422 Connector Plug .....	19

# Features

**The optical three-axis joystick allows comfortable pan/tilt/zoom operations.**

### **Easy operation of versatile camera adjustments**

Using the buttons on the unit, you can easily perform various camera adjustments such as auto focusing, one-push auto focus adjustment, AE adjustment, one-push auto white balance adjustment and backlight compensation.

### **The VISCA RS-232C/RS-422 communication interfaces allow high-speed, long-distance communication.**

The unit is capable of controlling up to seven cameras connected in daisy chain.

### **A tally lamp input/contact output terminal (9-pin connector plug) allows connection of a video switcher.**

### **Preset feature to save camera settings**

The unit allows saving up to 16 combinations\* of camera settings such as pan/tilt/zoom positions and other camera adjustment values in the memory of the camera.

\* The number of positions to be saved differs depending on the connected camera. (For the BRC-300/300P 3CCD Color Video Camera, 6 positions can be saved.)

### **Controllable Sony VISCA cameras**

The unit can control the following cameras:

- BRC-300/300P 3CCD Color Video Camera
- BRC-H700/H700P HD 3CCD Color Video Camera
- EVI-D100/D100P Color Video Camera
- EVI-D70/D70P Color Video Camera
- EVI-D30/D30P Color Video Camera
- SNC-RZ30N/RZ30P Network Camera

### **Notes**

- The operable functions are limited to those that the camera is equipped with.
- This manual mainly explains the functions of the unit for the BRC-300/300P camera.

When another camera is connected, refer to the Operating Instructions supplied with the connected camera for available functions.

# Precautions

### **Operating or storage location**

Operating or storing the unit in the following locations may cause damage to the unit:

- Extremely hot or cold places (Operating temperature: 0°C to +40°C [32°F to 104°F])
- Exposed in direct sunlight for a long time, or close to heating equipment (e.g., near heaters)
- Close to sources of strong magnetism
- Close to sources of powerful electromagnetic radiation, such as radios or TV transmitters
- Locations subject to strong vibration or shock

### **Ventilation**

To prevent heat buildup, do not block air circulation around the unit.

### **Transportation**

When transporting the unit, repack it as originally packed at the factory or in materials equal in quality.

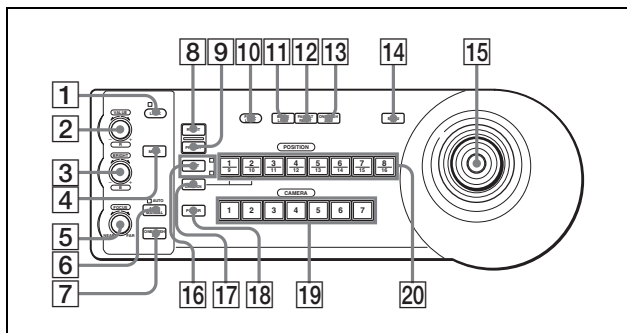
### **Cleaning**

- Use a soft, dry cloth to clean the external surfaces of the unit. Stubborn stains can be removed using a soft cloth dampened with a small quantity of detergent solution, then wipe dry.
- Do not use volatile solvents such as alcohol, benzene or thinners as they may damage the surface finishes.

# Location and Function of Parts

This manual focuses on the operations of the RM-BR300 when it is used with the BRC-300/300P or BRC-H700/H700P camera.

## Front



### 1 LOCK button and indicator

Press the LOCK button for more than one second, and the LOCK indicator lights and the values set by the VALUE/R, BRIGHT/B and FOCUS controls are locked. (The indicators of the locked controls are turned off.)

The AUTO/MANUAL button is also disabled. Press the LOCK button for more than one second again to unlock the controls and buttons.

### 2 VALUE/R control

**When the brightness adjustment mode is selected with the MODE button (with the VALUE indicator lit):**

This control adjusts the value of the item (SHUTTER or IRIS) selected on the camera.

When the VALUE indicator is lit, the function of the control varies according to the exposure mode selected on the camera. For details, see “Functions of the VALUE and BRIGHT controls” on page 5.

**When the white balance adjustment mode is selected with the MODE button (with the R indicator lit):**

This control adjusts the R. GAIN (red gain) (except the EVI-D30/D30P).

When the BRC-H700/H700P camera is connected, the function of the control with the R indicator lit varies according to the white balance mode selected on the camera. For details, see “Functions of the R and B controls for the BRC-H700/H700P camera” on page 5.

### 3 BRIGHT/B control

**When the brightness adjustment mode is selected with the MODE button (with the BRIGHT indicator lit):**

This control adjusts the value of the brightness of the camera, etc.

When the BRIGHT indicator is lit, the function of the control varies according to the exposure mode selected on the camera. For details, see “Functions of the VALUE and BRIGHT controls” on page 5.

**When the white balance adjustment mode is selected with the MODE button (with the B indicator lit):**

This control adjusts the B. GAIN (blue gain) (except the EVI-D30/D30P).

When the BRC-H700/H700P camera is connected, the function of the control with the B indicator lit varies according to the white balance mode selected on the camera. For details, see “Functions of the R and B controls for the BRC-H700/H700P camera” on page 5.

## Functions of the VALUE and BRIGHT controls

The functions of the VALUE control and the BRIGHT control change according to the exposure mode setting on the camera, as follows:

Exposure mode on the camera	Function of VALUE control	Function of BRIGHT control
FULL AUTO	Not used	Exposure compensation level control*
SHUTTER Pri	Shutter speed control	Exposure compensation level control*
IRIS Pri	Iris control	Exposure compensation level control*
BRIGHT	Not used	Brightness level control
MANUAL	Shutter speed control	Iris control**
GAIN Pri***	Gain control***	Not used

\* When the exposure compensation function is activated on the camera.

\*\* Iris + Gain control is possible for the BRC-H700/H700P camera.

\*\*\* Available for the BRC-H700/H700P camera only

## Functions of the R and B controls for the BRC-H700/H700P camera

When the white balance adjustment mode is selected with the MODE button of this unit, the functions of the R control and B control change according to the white balance mode setting on the BRC-H700/H700P camera.

White balance mode on the camera	Function of the R control	Function of the B control
<b>MANUAL</b>	Red gain control	Blue gain control
<b>AUTO, ONE PUSH</b>	Red WB SHIFT control	Blue WB SHIFT control

#### 4 **MODE button**

Press this button to select the function of the VALUE/R control and BRIGHT/B control. When the brightness adjustment mode is selected, the VALUE and BRIGHT indicators are lit. When the white balance adjustment mode is selected, the R and B indicators are lit.

#### 5 **FOCUS control**

This control is enabled when MANUAL is selected with the AUTO/MANUAL button. Turn the control counterclockwise (toward NEAR) to focus on a near subject, and clockwise (toward FAR) to focus on a far subject.

#### 6 **AUTO/MANUAL button and AUTO indicator**

Press this button to select focus mode AUTO or MANUAL. When AUTO is selected, the AUTO indicator lights and the camera focuses automatically on the subject in the center of the screen. The FOCUS control and the ONE PUSH AF button are disabled. When MANUAL is selected, the FOCUS control and the ONE PUSH AF button are enabled (with the FOCUS indicator lit).

#### 7 **ONE PUSH AF button**

This button is enabled when MANUAL is selected with the AUTO/MANUAL button. Press the button to perform the one-push auto focus function (except the EVI-D30/D30P).

#### 8 **RESET button**

Hold down this button and press one of the POSITION buttons, and the memory of the camera corresponding to the pressed POSITION button is cleared to the factory-preset conditions. When multiple cameras are connected, the camera addresses are set by holding down this button and pressing the POWER button.

#### 9 **PRESET button**

Hold down this button and press one of the POSITION buttons, and the current camera settings are stored in the memory of the camera corresponding to the pressed POSITION button.

#### 10 **PANEL LIGHT button**

Press this button to illuminate all the POSITION buttons and CAMERA buttons. Press the button again to turn off the illumination.

#### 11 **BACK LIGHT button**

When the FULL AUTO exposure mode is selected on the camera, press this button to enable the backlight compensation function of the camera. Press it again to disable the function.

For the BRC-H700/H700P camera, hold down the SHIFT button and press this button to enable the spotlight compensation function of the camera. This function adjusts the exposure to a darker level if a portion of the shooting object is illuminated. To disable the spotlight compensation, hold down the SHIFT button and press this button again.

#### 12 **PAN-TILT RESET button**

Press this button to reset the pan/tilt position of the camera to the initial conditions.

#### 13 **ONE PUSH AWB button**

When the ONE PUSH white balance mode is selected on the camera, press this button to perform the one-push white balance adjustment.

#### 14 **MENU button**

For the BRC-300/300P or BRC-H700/H700P camera, press this button for about one second to display the menu of the camera, return to the main menu or turn off the menu. For other cameras, press this button for about one second to turn the on-screen data display on or off.

#### 15 **Joystick**

The joystick is used for pan/tilt and zoom operations. Select the camera you want to control using the CAMERA buttons and operate the joystick.

#### **Panning and tilting**

When you incline the joystick right and left, the camera pans. When you incline it forward or backward, the camera tilts. The pan/tilt speed changes according to the angle of the inclination. When you release the joystick, the camera movement stops.

#### **Zooming**

When you turn the dial on the upper part of the joystick clockwise, the subject becomes larger (zoom in). When you turn it counterclockwise, the subject becomes smaller (zoom out).

### To face the camera back to the front

When you press the button on the top of the joystick for one or two seconds with or without the menu displayed, the pan/tilt/zoom are reset and the camera returns to the front.

#### 16 SHIFT button and indicators

Press this button for more than one second to select the function of the POSITION buttons for positions 1 to 8 or positions 9 to 16.

The upper indicator lights for positions 1 to 8, and the lower indicator for positions 9 to 16.

For the BRC-H700/H700P camera, hold down the SHIFT button and press one of the POSITION buttons. The lower indicator will light and you can use the POSITION buttons for positions 9 to 16. If you release the SHIFT button, the upper indicator will light and the POSITION buttons can be used for positions 1 to 8.

#### 17 L/R DIRECTION button

The camera is preset to face toward the right whenever the joystick is inclined to the right. Hold down this button and press POSITION button 2 (REV) to reverse the pan direction to the direction in which you incline the joystick. To reset the direction, hold down this button and press POSITION button 1 (STD).

#### 18 POWER button

Press this button to light the CAMERA button(s) corresponding to the status of the connected camera(s).

**Blue:** The power of the camera is on.

**Yellow green:** The camera is in standby mode.

**Off:** No camera is connected.

Hold down this button and press CAMERA button 1 to 7 to turn on/off the power of the camera corresponding to the pressed button.

#### 19 CAMERA buttons

Press one of the buttons to select the camera from among those connected. The selected CAMERA button lights in blue.

#### 20 POSITION buttons

You can store various camera settings such as the pan, tilt and zoom positions to the memory of the camera corresponding to each POSITION button, and load the settings in the memory.

### Functions of the POSITION buttons for the EVI-D100/D100P and EVI-D70/D70P cameras

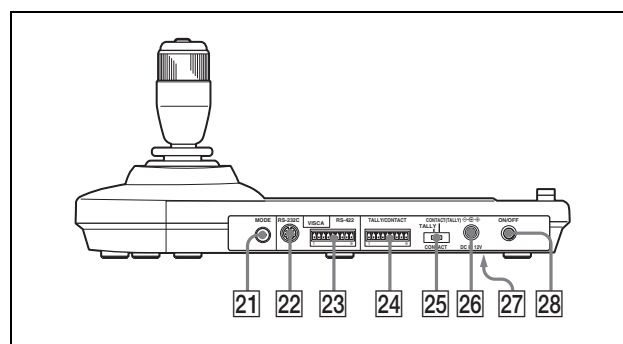
When the EVI-D100/D100P or EVI-D70/D70P camera is connected to this unit, the unit automatically detects

the camera model and the functions of positions 7 to 16 of the POSITION buttons change as in the following table. This allows you the direct control of the camera without connecting to a computer.

POSITION button	Function
Position 7	Automatic Exposure – Full Auto mode
Position 8	Automatic Exposure – Bright mode
Position 9	Digital zoom – ON
Position 10	Digital zoom – OFF
Position 11	Auto White Balance mode
Position 12	Manual White Balance mode
Position 13	One Push White Balance mode
Position 14	Auto Tracing White Balance (ATW) mode
Position 15	IR Cut-Removable (ICR) – ON
Position 16	IR Cut-Removable (ICR) – OFF

For details on each function, refer to the Technical Manual of the camera.

### Rear/Bottom



#### 21 MODE selector

Select the position corresponding to the VISCA-controllable camera to be connected.

Switch position	Camera mode
0	Automatically selected (default)
1	BRC-300/300P
2	EVI-D70/D70P
3	EVI-D100/D100P
4	EVI-D30/D30P
5	SNC-RZ30N/RZ30P
6	BRC-H700/H700P

#### Notes

- Use position 1 to 4 when all the connected cameras are of the same model.
- Be sure to use position 5 for the SNC-RZ30N/RZ30P.

- 22 VISCA RS-232C connector**  
Connect to the VISCA RS-232C IN connector of the camera or the Optical Multiplex Unit.
- 23 VISCA RS-422 connector**  
Connect to the VISCA RS-422 connector of the camera or the Optical Multiplex Unit.  
An RS-422 connector plug is attached at the factory.
- 24 TALLY/CONTACT connector**  
This connector is used for the tally lamp input or the contact output.  
Select the function of the connector using the TALLY/CONTACT selector.  
An RS-422 connector plug is attached at the factory.
- 25 TALLY/CONTACT selector**  
Select the function of the TALLY/CONTACT connector.  
**TALLY:** The tally lamp of the camera selected with the connected switcher lights.  
**CONTACT:** The contact output corresponding to the camera address selected with this unit is short-circuited against the connected switcher.

**CONTACT (TALLY):** The contact output corresponding to the camera address selected with this unit is short-circuited against the connected switcher and the tally lamp of the camera selected with the connected switcher lights.

- 26 DC IN 12V connector**  
Connect the supplied AC power adaptor.
- 27 DIP switches (bottom)**  
**Switch 1 (RS-232C/RS-422 selector)**  
Set to ON for RS-422, or OFF for RS-232C.  
  
**Switch 2 (Communication baud rate selector)**  
Set to ON for 38400bps, or OFF for 9600bps.
- 28 ON/OFF switch**  
Press this switch to turn on/off this unit.

**Note**

Set the switches before you turn on the power of this unit. Otherwise, the setting is not effective.

## Available Functions for Sony VISCA Cameras

The functions of the controls, buttons and connectors in the following list differ depending on the connected camera model. The functions of the other parts are the same for all the camera models.

Parts	BRC-300/ 300P, BRC- H700/H700P	EVI-D100/ D100P	EVI-D70/ D70P	EVI-D30/ D30P	SNC-RZ30N/ RZ30P
2 VALUE/R control	○	○	○	×	○
3 BRIGHT/B control	○	○	○	×	○
7 ONE PUSH AF button	○	○	○	×	○
12 PAN-TILT RESET button	○	○	○	○	×
14 MENU button	○	○	○	○	×
18 POWER button	○	○	○	○	×
19 CAMERA buttons	○	○	○	○	×
23 VISCA RS-422 connector	○	×	○	×	×

○: available, ×: not available



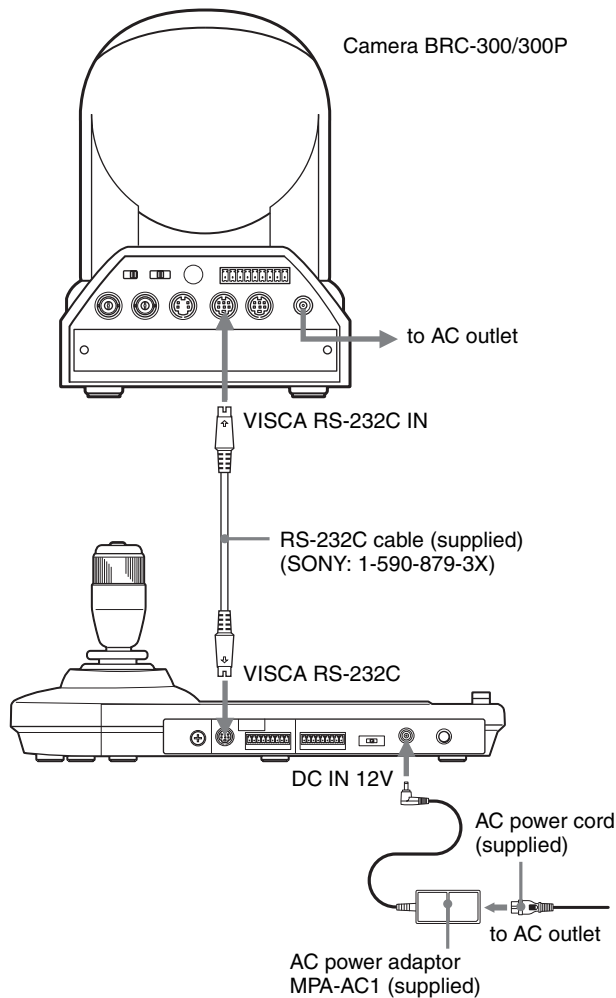
# Connections and Operations

## Connections

This section focuses on the connection examples for the BRC-300/300P camera. For connections with other cameras, refer to the Operating Instructions supplied with the camera you will connect.

### Connecting a Camera Equipped with a VISCA RS-232C Connector

- 1 Connect this unit to the camera using the RS-232C connecting cable supplied with this unit.
- 2 Connect this unit to an AC outlet using the supplied AC power adaptor and AC power cord.



### Note

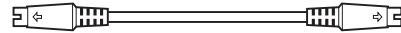
When using the VISCA RS-232C connectors, check that the DIP switch on the bottom of this unit (page 8) is set to RS-232C.

### Connecting cables

Use the following connecting cable to connect devices in this system.

Cable	Part No.	Number
RS-232C cable (3m (10feet))	1-590-879-3X	1

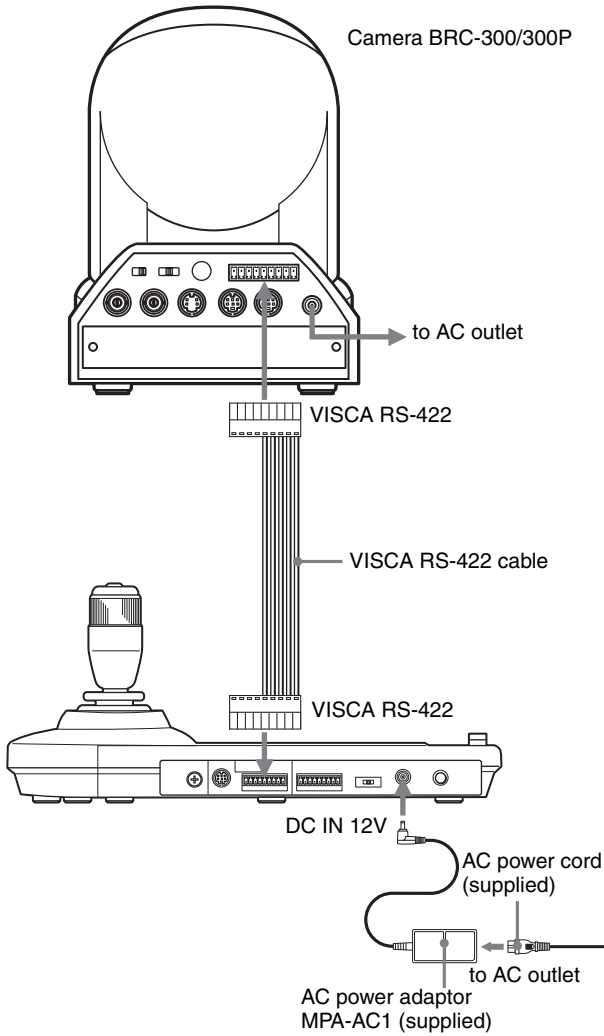
### RS-232C cable



## Connecting a Camera Equipped with a VISCA RS-422 Connector

You can use the VISCA RS-422 connectors to connect this unit to the camera instead of the VISCA RS-232C connectors. Use of the VISCA RS-422 connectors allows the connection up to 1,200 m (3,937 feet) away. Prepare the connecting cable using the RS-422 connector plugs that come with this unit.

For making the cable, refer to the pin assignments of the VISCA RS-422 connector (page 18).  
For the use of the RS-422 connector plugs, see page 19.

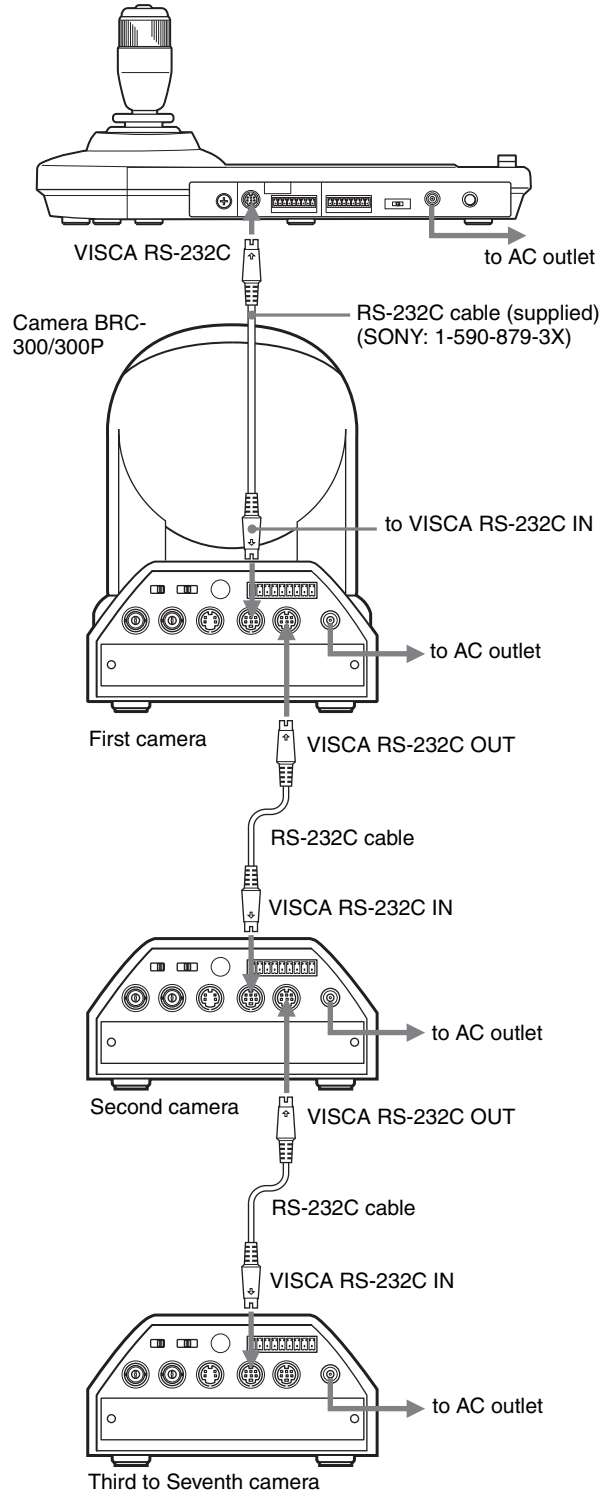


### Notes

- When using the VISCA RS-422 connectors, check that the DIP switch on the bottom of this unit (page 8) is set to RS-422.
- When the connections using the VISCA RS-422 connectors are made, the VISCA RS-232C connection is not available.

## Connecting Multiple Cameras Equipped with VISCA RS-232C Connector

Connections with the VISCA RS-232C cables (cross type) enable control of up to seven cameras with a single RM-BR300 Remote Control Unit.



**Note**

When using the VISCA RS-232C connectors, check that the DIP switch on the bottom of this unit (page 8) is set to RS-232C.

**To assign camera addresses**

Before operating, you must assign the camera addresses to the connected cameras as follows. Then you can switch the camera to be controlled simply by pressing the corresponding CAMERA button.

- 1** Turn on the power of all the connected cameras and this unit.
- 2** Hold down the RESET button and press the POWER button on this unit.  
The unit recognizes the connected cameras and assigns them camera addresses 1 to 7 automatically in the connected order.
- 3** Press the POWER button on this unit and check that the CAMERA buttons light.  
The number of the lit CAMERA buttons indicates how many cameras have the addresses assigned. Now you can switch the camera you want to control by pressing the CAMERA button.

## Connecting Multiple Cameras Equipped with VISCA RS-422 Connector

Connection via the VISCA RS-422 connectors enables control of multiple cameras. This allows the connection up to 1,200 m (3,937 feet) away.

Prepare the connecting cable using the RS-422 connector plug that comes with this unit.

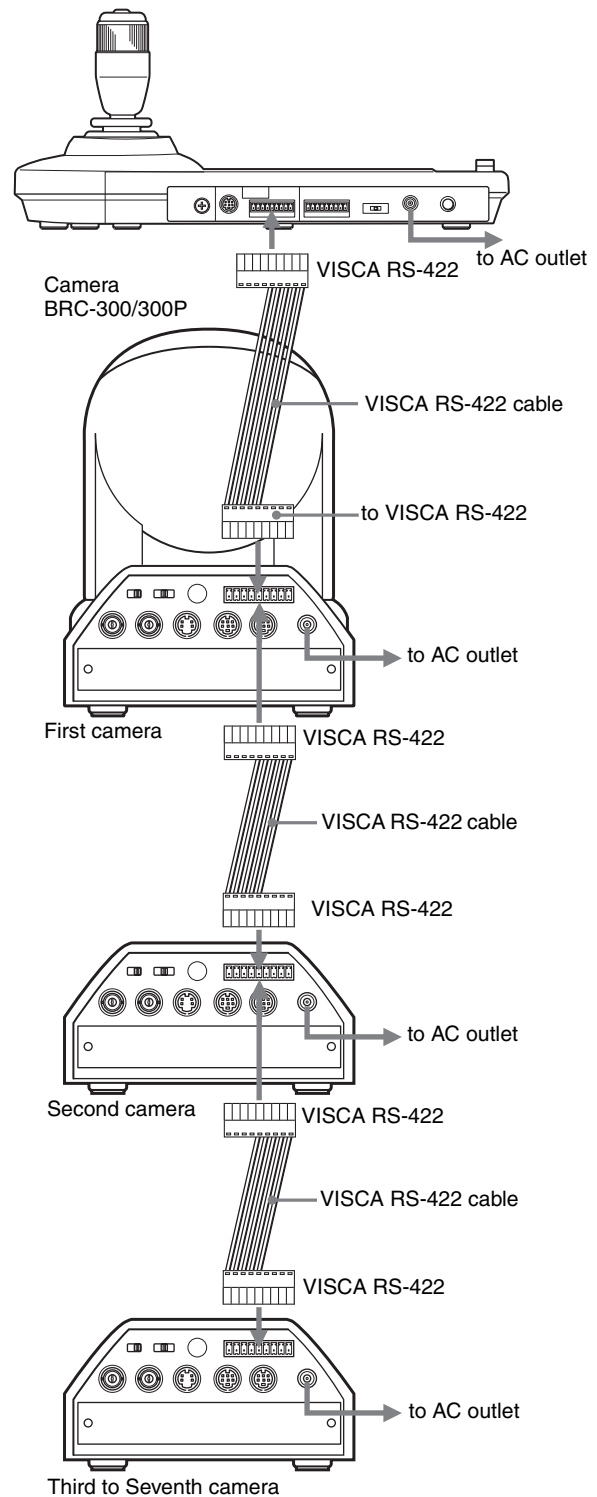
For making the cable, refer to the pin assignments of the VISCA RS-422 connector (page 18).

For the use of the RS-422 connector plugs, see page 19.

For the wiring diagram of VISCA RS-422 connection, refer to the Operating Instructions supplied with the BRC-300/300P.

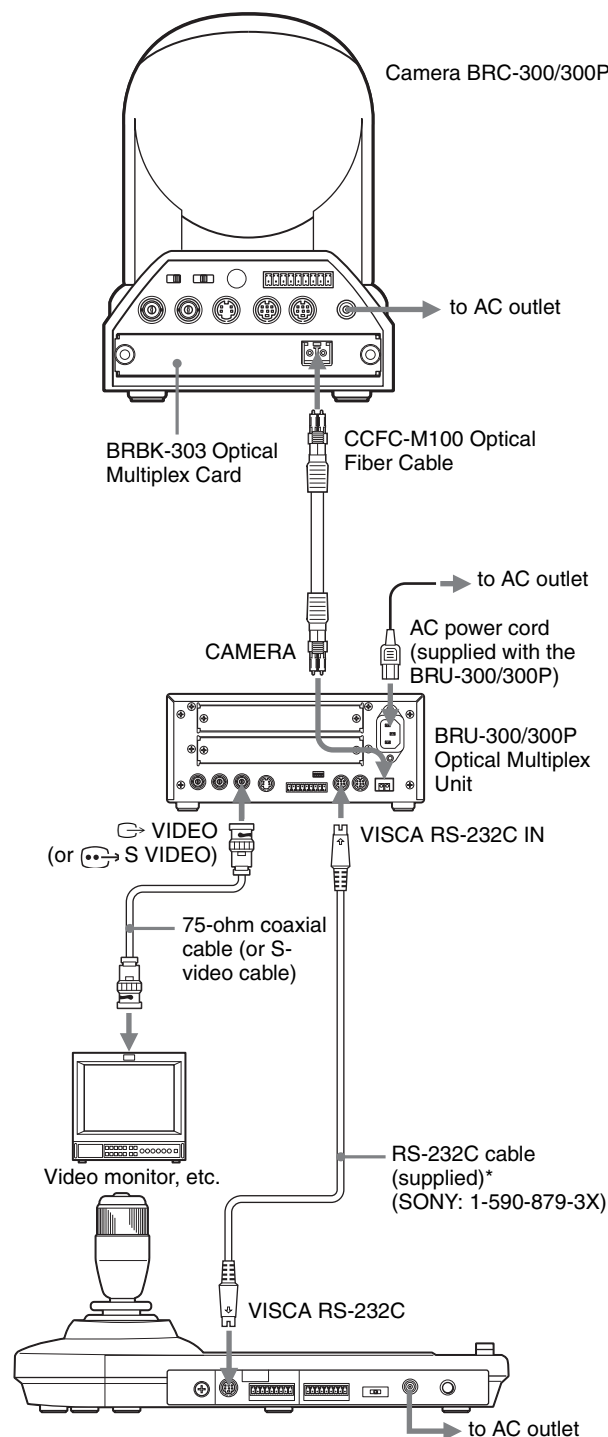
**Notes**

- When using the VISCA RS-422 connectors, check that the DIP switch on the bottom of this unit (page 8) is set to RS-422.
- When the connections using the VISCA RS-422 connectors are made, the VISCA RS-232C connection is not available.



## Connecting the BRU-300/300P Optical Multiplex Unit

You can control the camera using this unit via the BRU-300/300P Optical Multiplex Unit (not supplied).



\* The VISCA RS-422 connection is also available if you use the VISCA RS-422 connectors.

For the BRC-H700/H700P camera, you can use the BRU-H700/H700P Optical Multiplex Unit to control the

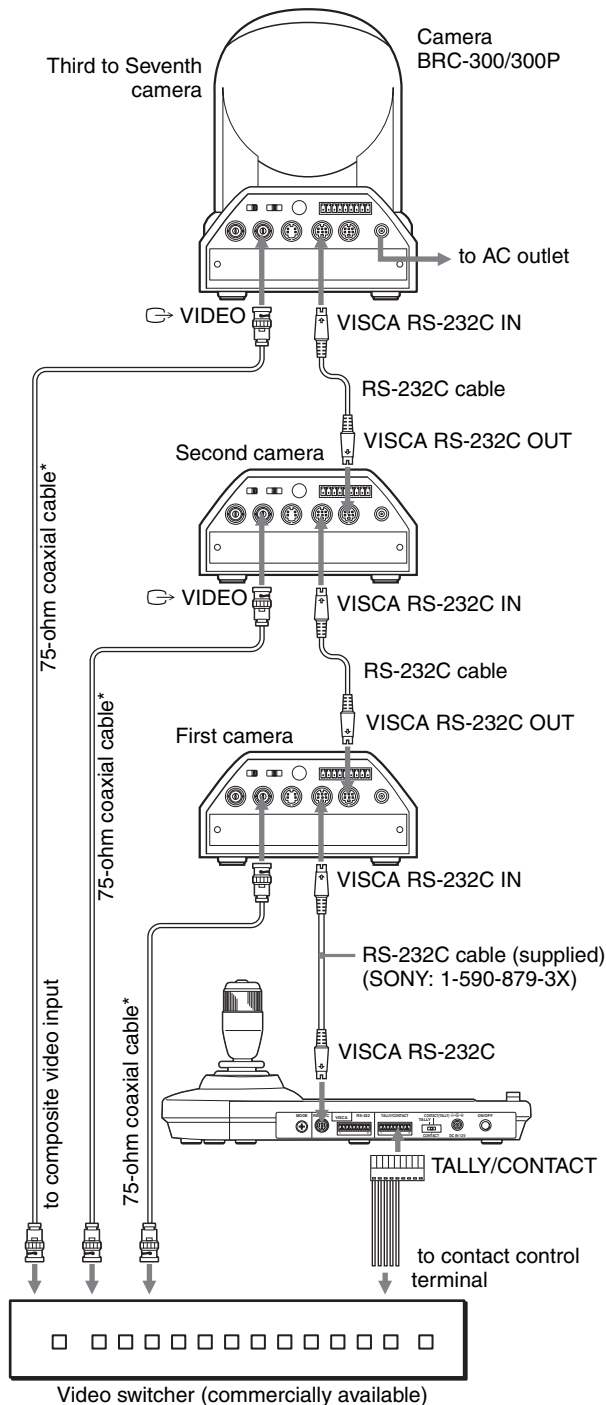
camera with this unit. For details of the connection, refer to the Operating Instructions supplied with the BRC-H700/H700P.

### Notes

When using the VISCA RS-232C connectors or VISCA RS-422 connectors, check the VISCA FUNCTION switch on the rear of the Optical Multiplex Unit and the DIP switch on the bottom of this unit (page 8) are set to RS-232C or RS-422 correctly.

## Connecting a Video Switcher

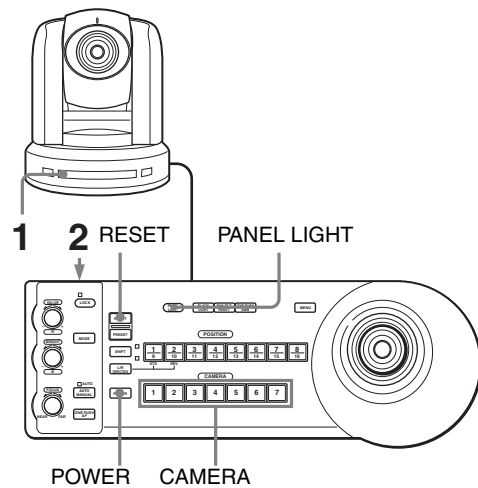
Use a commercially available contact-control type video switcher to switch between the multiple camera signals to be output.



\* You can also use an S-video connecting cable to connect the S VIDEO connector on the camera and the S-video input connector on the video switcher.

For connection with a video switcher, refer to the Operating Instructions of the switcher.

## Turning on the Power



- 1 Connect the camera to an AC outlet. The power of the camera is turned on and the POWER lamp lights. The camera will automatically pan and tilt and be reset to the position stored in POSITION 1 (Pan/tilt reset action).
- 2 Press the ON/OFF switch on this unit to turn it on. The CAMERA button representing the camera whose power was turned off last lights. (CAMERA 1 button lights by default.)
- 3 Turn on the peripheral devices.

### Notes

- Be sure to turn on the power of the camera before the power of this unit. Otherwise, the unit cannot recognize the connected camera.
- Do not touch the joystick when turning on the power of the unit. Doing so may affect the confirmation of the origin.

### To turn on/off the camera using this unit

As long as the camera is connected to an AC outlet, you can turn the camera on or off with the POWER button on this unit.

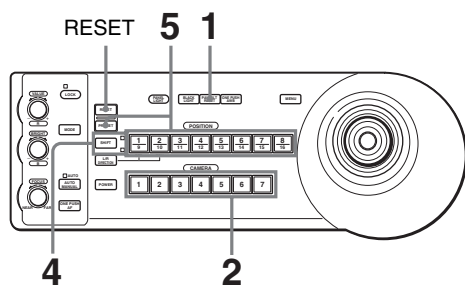
While holding down the POWER button, press the CAMERA button corresponding to the camera whose power you want to turn on/off.

When you turn the power off using this unit, the POWER lamp turns off and the STANDBY lamp lights on the camera.

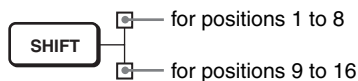
# Storing the Camera Settings in Memory

## – Presetting Feature

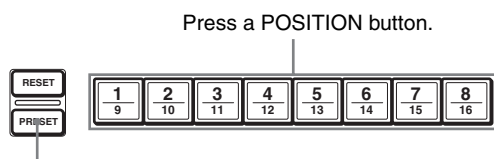
Up to sixteen combinations of settings (sixteen positions), including camera position, zooming, focusing, and backlighting, can be stored in the memory of the camera using this unit.



- 1** Press the PAN-TILT RESET button to reset the pan/tilt position.
- 2** Press the CAMERA button to select the camera whose settings you want to preset.
- 3** Adjust the position, zooming, focusing and backlighting of the camera.
- 4** Press the SHIFT button for more than one second to select the function of POSITION 1 to 8 buttons, if necessary. (except the BRC-H700/H700P)  
To store in positions 1 to 8, press the SHIFT button so that the upper indicator lights. The POSITION 1 to 8 buttons can be used for positions 1 to 8.  
To store in positions 9 to 16, press the SHIFT button so that the lower indicator lights. The POSITION 1 to 8 buttons can be used for positions 9 to 16.



- 5** While holding down the PRESET button, press any of the POSITION buttons, 1 to 8, in which you want to store the settings. (except the BRC-H700/H700P)



While holding down

The settings are stored in the memory of the camera.

The pressed button flashes during storing. Flashing stops when storing is completed.

### To recall the stored settings

Select the function of the POSITION 1 to 8 buttons by pressing the SHIFT button for more than one second, if necessary. Press any of the POSITION buttons, 1 to 8, in which you have stored the settings.

### To cancel the preset memory

Select the function of the POSITION 1 to 8 buttons using the SHIFT button, if necessary. While holding down the RESET button, press the POSITION button from which you want to cancel the settings.

While holding down Press a POSITION button.



The pressed button flashes during canceling of the settings. Flashing stops when the settings have been canceled.

### Notes

- When the power is turned on, the camera starts with the settings stored in POSITION 1.
- If you want to retain the previous pan and tilt positions when the power is turned off and turned on again, store those positions in POSITION 1.
- When you are storing or canceling the settings in one POSITION, you cannot call up, store or cancel the settings in another POSITION.

### To select positions 9 to 16 for the BRC-H700/H700P

While holding down the SHIFT button, press the PRESET button (to store or recall the settings) or the RESET button (when canceling the settings). The lower indicator will light and the POSITION 1 to 8 buttons can be used for positions 9 to 16.

When you release the SHIFT button, the upper indicator lights and the POSITION 1 to 8 buttons can be used for positions 1 to 8.

For the BRC-H700/H700P, you need not press the SHIFT button for more than one second to switch the indicator in advance.

## Setting the Speed of the Camera Moving to a Preset Position (BRC-300/300P and BRC-H700/H700P only)

You can select the panning/tilting speed when the camera moves to a preset position.

- 1** Press the CAMERA button to select the camera whose speed you want to set.
- 2** Press the POSITION button for which you want to set the speed for more than one second.  
All the CAMERA buttons, 1 to 7, flash.
- 3** Press one of the CAMERA buttons to select the speed.

CAMERA button	Panning/tilting speed
1	1 degree/sec.
2	2.2 degrees/sec.
3	4.8 degrees/sec.
4	11 degrees/sec.
5	23.3 degrees/sec.
6	43 degrees/sec.
7	60 degrees/sec. (default)

Now the camera will move to the position preset to the pressed POSITION button with the selected speed.

### To set the speed of the camera moving to a preset position for the BRC-H700/H700P

To set the speed of the camera moving to a preset position between 9 and 16, hold down the SHIFT button and press the corresponding POSITION button.

## Troubleshooting

Before bringing in your unit for service, check the following as a guide to troubleshoot the problem. If the problem cannot be corrected, consult with your Sony dealer.

Symptom	Cause	Remedy
The power of the unit is not turned on.	The AC power adaptor is not connected to the DC IN 12V jack firmly.	Insert the power cord firmly as far as it will go.
	The AC power cord is not inserted firmly into the AC power adaptor or the AC outlet.	Insert the power cord firmly as far as it will go.
The camera cannot be operated with the unit.	The connection using the VISCA RS-422 connectors is not correctly made.	Check that the connection to the VISCA RS-422 connectors is correctly made, and the RS-422 cable is properly connected.
	VISCA control setting is not correct.	Select the proper setting (RS-232C or RS-422) with the DIP switch on the unit (page 8).
	The communication baud rate setting of the camera and the unit differ.	Select the communication baud rate, 9,600 bps or 38,400 bps, with the DIP switch on the unit (page 8) which is selected on the camera.
The unit cannot be operated at all.	—	Pull out the plug of the power cord from the AC outlet, then reinsert it into the AC outlet after a while.



# Specifications

## Input/output connectors

Control input/output

VISCA RS-232C OUT: Mini DIN 8-pin type

VISCA RS-422: 9-pin type

TALLY IN/CONTACT OUT: 9-pin type

Control signal format

9600 bps/38400 bps

Data: 8 bit

Stop bit: 1

Power connector

JEITA type4 (DC IN 12V)

## General

Input voltage 12 V DC (10.8 to 13.2 V DC)

Current consumption

0.2 A max. (at 12 V DC), 2.4W

Operating temperature

0°C to +40°C (32°F to 104°F)

Storage temperature

-20°C to +60°C (-4°F to 140°F)

Dimensions 391.3 × 185 × 145.9 mm (w/h/d)

(15 1/2 × 7 3/8 × 5 3/4 inches)

Mass

Approx. 950 g (2 lb 15 oz)

## Supplied accessories

MPA-AC1 AC power adaptor (Sony) (1)

AC power cord (1)

RS-232C connecting cable (1)

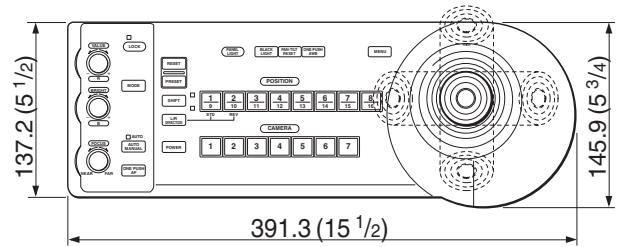
RS-422 connector plug (2)

Operating Instructions (1)

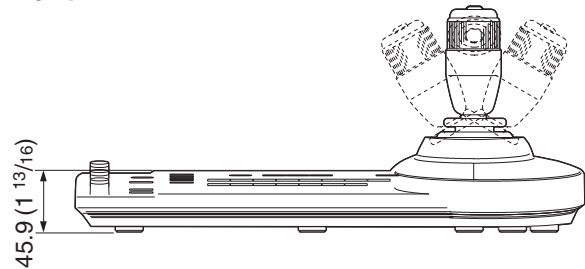
Design and specifications are subject to change without notice.

# Dimensions

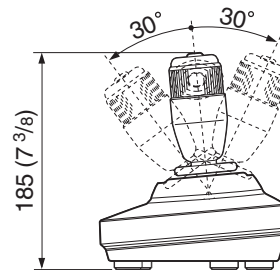
## Top



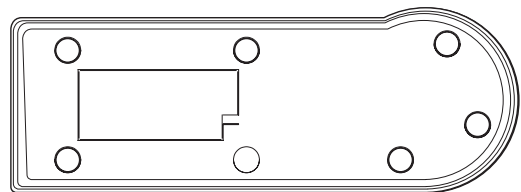
## Front



## Side



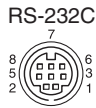
## Bottom



Unit: mm (inches)

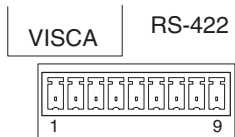
## Pin Assignments

### VISCA RS-232C output connector (mini DIN 8-pin, female)



Pin No.	Function
1	No Connection
2	No Connection
3	TXD IN
4	GND
5	RXD IN
6	GND
7	No Connection
8	No Connection

### VISCA RS-422 connector (connector plug, 9-pin)



Pin No.	Function
1	No Connection
2	No Connection
3	No Connection
4	No Connection
5	GND
6	RXD IN-
7	RXD IN+
8	TXD IN-
9	TXD IN+

### TALLY/CONTACT connector (connector plug, 9-pin)

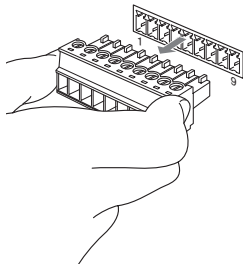
TALLY/CONTACT



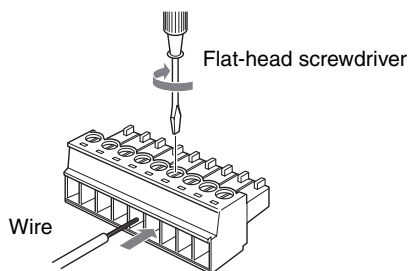
Pin No.	Function
1	CAMERA1
2	CAMERA2
3	CAMERA3
4	CAMERA4
5	CAMERA5
6	CAMERA6
7	CAMERA7
8	GND
9	GND

## Using the VISCA RS-422 Connector Plug

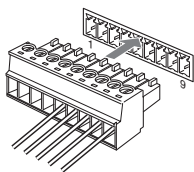
- 1 Grasp both ends of the VISCA RS-422 connector plug and pull it out as shown in the illustration.



- 2 Insert a wire (AWG Nos. 28 to 18) into the desired wire opening on the plug, and tighten the screw for that wire using a flat-head screwdriver.

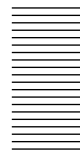


- 3 Insert the VISCA RS-422 connector plug into the VISCA RS-422 connector.



### Notes

- In order to stabilize the voltage level of the signal, connect both ends to GND.
- When the connections using the VISCA RS-422 connectors are made, the VISCA RS-232C connection is not available.
- The maximum connection distance with the VISCA RS-422 connection is approximately 1,200 m (3,937 feet).



## **AVERTISSEMENT**

**Afin de réduire les risques d'incendie ou d'électrocution, ne pas exposer cet appareil à la pluie ou à l'humidité.**

**Pour prévenir tout risque d'électrocution, n'ouvrez pas le boîtier. Confiez l'entretien de cet appareil exclusivement à un personnel qualifié.**

### **AVERTISSEMENT**

Utilisez l'adaptateur secteur Sony MPA-AC1 fourni avec cet équipement comme source d'alimentation. Toute autre source d'alimentation pourrait être dangereuse en faisant notamment courir un risque d'incendie.

Le dispositif de déconnexion de cet équipement est la fiche secteur de l'adaptateur secteur.

Vous devez utiliser la fiche secteur de cet équipement pour le déconnecter du secteur.

Veillez à ce que la prise de courant se trouve près de l'équipement et qu'elle soit facilement accessible.

En cas de fonctionnement anormal, débranchez la fiche secteur.

### **IMPORTANT**

La plaquette signalétique se trouve au-dessous de l'appareil.

### **ATTENTION**

Des champs électromagnétiques à des fréquences spécifiques peuvent avoir une incidence sur l'image de cet appareil.

---

# Table des matières

---

## Description générale

<b>Caractéristiques</b> .....	4
<b>Précautions</b> .....	4
<b>Emplacement et fonction des pièces</b> .....	5
Fonctions disponibles pour les caméras	
Sony VISCA .....	8

---

## Raccordements et opérations

<b>Raccordements</b> .....	9
Raccordement d'une caméra dotée d'un	
connecteur VISCA RS-232C .....	9
Raccordement d'une caméra dotée d'un	
connecteur VISCA RS-422 .....	10
Raccordement de plusieurs caméras dotées d'un	
connecteur VISCA RS-232C .....	10
Raccordement de plusieurs caméras dotées d'un	
connecteur VISCA RS-422 .....	11
Raccordement du module multiplex optique	
BRU-300/300P .....	12
Raccordement d'un sélecteur vidéo .....	13
<b>Mise sous tension</b> .....	13
<b>Mémorisation des paramètres de la caméra</b>	
– <b>Fonction de mémorisation</b> .....	14
Mémorisation de la vitesse de déplacement de la	
caméra sur une position prédéfinie (BRC-300/	
300P et BRC-H700/H700P seulement) .....	15

---

## Annexe

<b>Dépannage</b> .....	16
<b>Spécifications</b> .....	17
Dimensions .....	17
Brochage .....	18
Utilisation de la fiche de connexion	
VISCA RS-422 .....	19

## Description générale

### Caractéristiques

**La manette de commande à trois axes optique permet de commander confortablement des opérations de panoramique/inclinaison/zoom.**

**Commande facile de divers réglages de la caméra**  
Les touches du pupitre vous permettent de commander facilement divers réglages de la caméra tels que mise au point automatique, réglage de la mise au point automatique One Push, réglage automatique de la balance des blancs One Push et compensation de contre-jour.

**Les interfaces de communication VISCA RS-232C/RS-422 permettent des communications longue distance à haute vitesse.**

Le pupitre permet de commander jusqu'à sept caméras connectées en guirlande.

**Une borne d'entrée de témoin de signalisation/sortie de contact (fiche de connexion à 9 broches) permet le raccordement d'un sélecteur vidéo.**

**Fonction de mémorisation pour la sauvegarde des paramètres de la caméra**

Le pupitre vous permet de sauvegarder jusqu'à 16 combinaisons\* de paramètres de la caméra comme positions de panoramique/inclinaison/zoom et d'autres valeurs de réglage de la caméra dans la mémoire de la caméra.

\* Le nombre de positions pouvant être sauvegardées dépend de la caméra connectée. (Pour la caméra vidéo couleur 3CCD BRC-300/300P, 6 positions peuvent être sauvegardées.)

### Caméras Sony VISCA pouvant être commandées

Le pupitre peut commander les caméras suivantes :

- BRC-300/300P 3CCD Color Video Camera
- BRC-H700/H700P HD 3CCD Color Video Camera
- EVI-D100/D100P Color Video Camera
- EVI-D70/D70P Color Video Camera
- EVI-D30/D30P Color Video Camera
- SNC-RZ30N/RZ30P Network Camera

### Remarques

- Les fonctions utilisables se limitent à celles dont est dotée la caméra.
- Ce manuel décrit principalement les fonctions du pupitre pour la caméra BRC-300/300P. Lorsqu'une autre caméra est connectée, consultez son mode d'emploi pour la description des fonctions disponibles.

## Précautions

### Lieu d'utilisation ou de rangement

L'utilisation ou le rangement du pupitre dans les endroits suivants peut l'endommager :

- endroits extrêmement chauds ou froids (température de fonctionnement : 0 à +40 °C [32 à 104 °F])
- endroits longuement exposés aux rayons directs du soleil ou proximité d'une source de chaleur (appareil de chauffage, par exemple)
- proximité d'une source de magnétisme puissant
- endroits proches de sources de rayonnement électromagnétique puissant (émetteurs de radio ou de télévision, par exemple)
- endroits soumis à de fortes vibrations ou chocs

### Aération

Pour prévenir toute surchauffe interne, n'entrez pas la circulation d'air autour du pupitre.

### Transport

Pour transporter le pupitre, remballiez-le dans son conditionnement d'origine ou dans des matériaux de qualité équivalente.

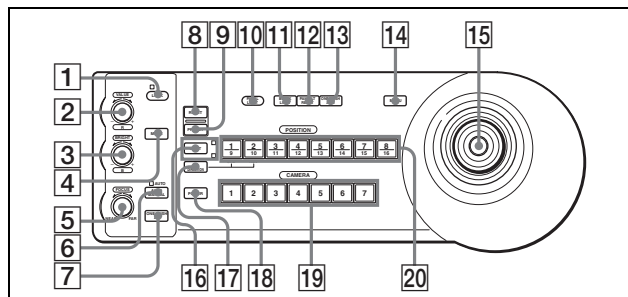
### Nettoyage

- Utilisez un chiffon doux et sec pour nettoyer l'extérieur du pupitre. Éliminez les taches tenaces avec un chiffon doux légèrement imprégné d'une solution détergente, puis essuyez.
- N'utilisez pas de solvants volatils tels qu'alcool, benzène ou diluants car ils peuvent attaquer le fini du pupitre.

# Emplacement et fonction des pièces

Ce manuel décrit les opérations du RM-BR300 lorsqu'il est utilisé avec la caméra BRC-300/300P ou BRC-H700/H700P.

## Face avant



### 1 Touche et témoin LOCK

Appuyez sur la touche LOCK pendant plus d'une seconde. Le témoin LOCK s'allume et les valeurs spécifiées avec les boutons VALUE/R, BRIGHT/B et FOCUS sont verrouillées. (Les témoins des boutons verrouillés sont éteints.)

La touche AUTO/MANUAL est également désactivée.

Appuyez à nouveau sur la touche LOCK pendant plus d'une seconde pour déverrouiller les boutons et touches.

### 2 Bouton VALUE/R

**Lorsque vous avez sélectionné le mode de réglage de la luminosité avec la touche MODE (avec le témoin VALUE allumé) :**

Ce bouton permet de régler la valeur du paramètre (SHUTTER ou IRIS) sélectionné sur la caméra.

Lorsque le témoin VALUE est allumé, la fonction du bouton diffère selon le mode d'exposition sélectionné sur la caméra. Pour plus d'informations, voir « Fonctions des boutons VALUE et BRIGHT » à la page 5.

**Lorsque vous avez sélectionné le mode de réglage de la balance des blancs avec la touche MODE (avec le témoin R allumé) :**

Ce bouton permet de régler R. GAIN (gain du rouge) (sauf pour l'EVI-D30/D30P).

Lorsque la caméra BRC-H700/H700P est connectée, la fonction du bouton avec le témoin R allumé diffère selon le mode de la balance des blancs sélectionné sur la caméra. Pour plus d'informations, voir « Fonctions des boutons R et B pour la caméra BRC-H700/H700P » à la page 5.

### 3 Bouton BRIGHT/B

**Lorsque vous avez sélectionné le mode de réglage de luminosité avec la touche MODE (avec le témoin BRIGHT allumé) :**

Ce bouton permet de régler la valeur de luminosité de la caméra, etc.

Lorsque le témoin BRIGHT est allumé, la fonction du bouton diffère selon le mode d'exposition sélectionné sur la caméra. Pour plus d'informations, voir « Fonctions des boutons VALUE et BRIGHT » à la page 5.

**Lorsque vous avez sélectionné le mode de réglage de la balance des blancs avec la touche MODE (avec le témoin B allumé) :**

Ce bouton permet de régler B. GAIN (gain du bleu) (sauf pour l'EVI-D30/D30P).

Lorsque la caméra BRC-H700/H700P est connectée, la fonction du bouton avec le témoin B allumé diffère selon le mode de la balance des blancs sélectionné sur la caméra. Pour plus d'informations, voir « Fonctions des boutons R et B pour la caméra BRC-H700/H700P » à la page 5.

### Fonctions des boutons VALUE et BRIGHT

Selon le paramètre de mode d'exposition sélectionnée sur la caméra, les fonctions du bouton VALUE et du bouton BRIGHT changent comme suit :

Mode d'exposition sur la caméra	Fonction du bouton VALUE	Fonction du bouton BRIGHT
<b>FULL AUTO</b>	Non utilisé	Commande de niveau de compensation d'exposition*
<b>SHUTTER Pri</b>	Commande de vitesse d'obturation	Commande de niveau de compensation d'exposition*
<b>IRIS Pri</b>	Commande de diaphragme	Commande de niveau de compensation d'exposition*
<b>BRIGHT</b>	Non utilisé	Commande de niveau de luminosité
<b>MANUAL</b>	Commande de vitesse d'obturation	Commande de diaphragme**
<b>GAIN Pri***</b>	Réglage du gain***	Non utilisé

\* Lorsque la fonction de compensation d'exposition est activée sur la caméra.

\*\* La commande de diaphragme + gain est possible pour la caméra BRC-H700/H700P.

\*\*\* Disponible pour la caméra BRC-H700/H700P seulement

### Fonctions des boutons R et B pour la caméra BRC-H700/H700P

Lorsque vous avez sélectionné le mode de réglage de la balance des blancs avec la touche MODE, les fonctions du bouton R et du bouton B changent selon le mode de balance des blancs sélectionné sur la caméra BRC-H700/H700P.

Mode de balance des blancs sur la caméra	Fonction du bouton R	Fonction du bouton B
<b>MANUAL</b>	Commande de gain du rouge	Commande de gain du bleu
<b>AUTO, ONE PUSH</b>	Commande WB SHIFT du rouge	Commande WB SHIFT du bleu

#### 4 Touche **MODE**

Appuyez sur cette touche pour sélectionner la fonction du bouton VALUE/R et du bouton BRIGHT/B.

Lorsque le mode de réglage de la luminosité est sélectionné, les témoins VALUE et BRIGHT sont allumés.

Lorsque le mode de réglage de la balance des blancs est sélectionné, les témoins R et B sont allumés.

#### 5 Bouton **FOCUS**

Ce bouton est activé lorsque vous sélectionnez **MANUAL** avec la touche **AUTO/MANUAL**. Tournez le bouton dans le sens inverse des aiguilles d'une montre (vers **NEAR**) pour effectuer la mise au point sur un sujet proche et dans le sens des aiguilles d'une montre (vers **FAR**) pour effectuer la mise au point sur un sujet éloigné.

#### 6 Touche **AUTO/MANUAL** et témoin **AUTO**

Appuyez sur cette touche pour sélectionner le mode de mise au point **AUTO** ou **MANUAL**.

Lorsque **AUTO** est sélectionné, le témoin **AUTO** s'allume et la caméra effectue automatiquement la mise au point sur le sujet au centre de l'écran. Le bouton **FOCUS** et la touche **ONE PUSH AF** sont désactivés.

Lorsque **MANUAL** est sélectionné, le bouton **FOCUS** et la touche **ONE PUSH AF** sont activés (avec le témoin **FOCUS** allumé).

#### 7 Touche **ONE PUSH AF**

Cette touche est activée lorsque vous sélectionnez **MANUAL** avec la touche **AUTO/MANUAL**. Appuyez sur la touche pour exécuter une mise au point automatique One Push (sauf pour l'EVI-D30/D30P).

#### 8 Touche **RESET**

Tout en maintenant cette touche enfoncée, appuyez sur l'une des touches **POSITION**. La mémoire de la caméra correspondant à la touche **POSITION** enfoncée est réinitialisée aux conditions prédéfinies en usine.

Lorsque plusieurs caméras sont connectées, vous pouvez spécifier les adresses de caméra en maintenant cette touche enfoncée et en appuyant sur la touche **POWER**.

#### 9 Touche **PRESET**

Tout en maintenant cette touche enfoncée, appuyez sur l'une des touches **POSITION**. Les réglages actuels de la caméra sont mémorisés dans la caméra correspondant à la touche **POSITION** enfoncée.

#### 10 Touche **PANEL LIGHT**

Appuyez sur cette touche pour éclairer toutes les touches **POSITION** et les touches **CAMERA**. Appuyez à nouveau sur cette touche pour éteindre l'éclairage.

#### 11 Touche **BACK LIGHT**

Lorsque le mode d'exposition **FULL AUTO** est sélectionné sur la caméra, appuyez sur cette touche pour activer la fonction de compensation de contre-jour de la caméra. Appuyez à nouveau sur cette touche pour désactiver la fonction.

Pour la caméra **BRC-H700/H700P**, appuyez sur cette touche tout en maintenant la touche **SHIFT** enfoncée pour activer la fonction de compensation de spots lumineux de la caméra. Cette fonction règle l'exposition à un niveau plus sombre si une partie du sujet filmé est éclairée. Pour désactiver la fonction de compensation de spots lumineux, appuyez à nouveau sur cette touche tout en maintenant la touche **SHIFT** enfoncée.

#### 12 Touche **PAN-TILT RESET**

Appuyez sur cette touche pour ramener la position de panoramique/inclinaison de la caméra aux conditions initiales.

#### 13 Touche **ONE PUSH AWB**

Lorsque le mode de balance des blancs **ONE PUSH** est sélectionné sur la caméra, appuyez sur cette touche pour effectuer un réglage One Push de la balance des blancs.

#### 14 Touche **MENU**

Pour la caméra **BRC-300/300P** ou **BRC-H700/H700P**, appuyez sur cette touche pendant environ une seconde pour afficher le menu de la caméra, pour revenir au menu principal ou pour faire disparaître le menu.

Pour les autres caméras, appuyez sur cette touche pendant environ une seconde pour activer/désactiver l'affichage des données à l'écran.

#### 15 Manette de commande

La manette de commande permet d'effectuer des opérations de panoramique/inclinaison et de zoom. Sélectionnez la caméra que vous désirez commander à l'aide des touches **CAMERA** et actionnez la manette de commande.

#### Panoramique et inclinaison

Lorsque vous inclinez la manette de commande vers la droite ou la gauche, la caméra effectue un



panoramique. Lorsque vous l'inclinez vers l'avant ou l'arrière, la caméra s'incline.

La vitesse de panoramique/inclinaison change en fonction de l'angle d'inclinaison.

Lorsque vous relâchez la manette de commande, le mouvement de la caméra s'arrête.

### Zoom

Lorsque vous tournez le cadran sur la partie supérieure de la manette de commande dans le sens des aiguilles d'une montre, le sujet devient plus grand (zoom avant). Lorsque vous le tournez dans le sens inverse des aiguilles d'une montre, le sujet devient plus petit (zoom arrière).

### Pour ramener la caméra vers l'avant

Lorsque vous appuyez sur la touche au-dessus de la manette de commande pendant une ou deux secondes, que le menu soit ou non affiché, les positions de panoramique/inclinaison/zoom sont ramenées à l'état initial et la caméra revient vers l'avant.

### 16 Touche et témoins SHIFT

Appuyez sur cette touche pendant plus d'une seconde pour sélectionner la fonction des touches POSITION pour les positions 1 à 8 ou les positions 9 à 16.

Le témoin supérieur s'allume pour les positions 1 à 8 et le témoin inférieur pour les positions 9 à 16.

Pour la caméra BRC-H700/H700P, appuyez sur l'une des touches POSITION tout en maintenant la touche SHIFT enfoncée. Le témoin inférieur s'allume et vous pouvez utiliser les touches POSITION pour les positions 9 à 16. Si vous relâchez la touche SHIFT, le témoin supérieur s'allume et vous pouvez utiliser les touches POSITION pour les positions 1 à 8.

### 17 Touche L/R DIRECTION

La caméra est pré réglée pour se tourner vers la droite lorsque vous inclinez la manette de commande vers la droite. Tout en maintenant cette touche enfoncée, appuyez sur la touche POSITION 2 (REV) pour inverser la direction de panoramique par rapport au sens vers lequel vous inclinez la manette de commande. Pour ramener la direction à l'état initial, appuyez sur la touche POSITION 1 (STD) tout en maintenant cette touche enfoncée.

### 18 Touche POWER

Appuyez sur cette touche pour éclairer la ou les touches CAMERA correspondant à l'état de la ou des caméras connectées.

**Bleu :** L'alimentation de la caméra est établie.

**Jaune vert :** L'appareil est en mode de veille.

**Éteint :** Aucune caméra n'est connectée.

Tout en maintenant cette touche enfoncée, appuyez sur l'une des touches CAMERA 1 à 7 pour mettre la caméra correspondant à la touche appuyée sous/hors tension.

### 19 Touches CAMERA

Appuyez sur l'une des ces touches pour sélectionner une caméra parmi celles qui sont connectées. La touche CAMERA sélectionnée s'allume en bleu.

### 20 Touches POSITION

Vous pouvez mémoriser divers paramètres de la caméra tels que les positions de panoramique, inclinaison et zoom dans la mémoire de la caméra correspondant à chaque touche POSITION afin de pouvoir les rappeler ultérieurement.

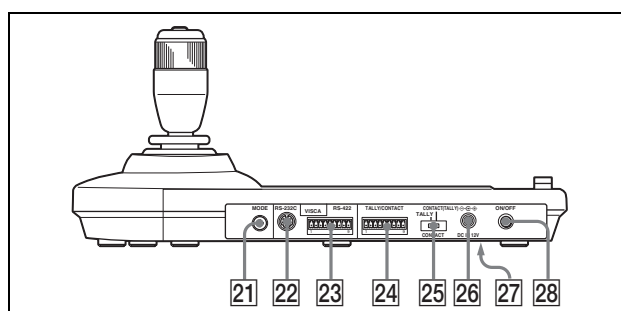
## Fonctions des touches POSITION pour les caméras EVI-D100/D100P et EVI-D70/D70P

Lorsque la caméra EVI-D100/D100P ou EVI-D70/D70P est connectée à ce pupitre, le pupitre détecte automatiquement le modèle de la caméra, et les fonctions des positions 7 à 16 des touches POSITION changent comme indiqué dans le tableau ci-dessous. Ceci vous permet de commander directement la caméra sans la connecter à un ordinateur.

Touche POSITION	Fonction
Position 7	Exposition automatique – Mode Full Auto
Position 8	Exposition automatique – Mode Bright
Position 9	Zoom numérique – Activé
Position 10	Zoom numérique – Désactivé
Position 11	Mode de balance des blancs automatique
Position 12	Mode de balance des blancs manuelle
Position 13	Mode de balance des blancs One Push
Position 14	Mode ATW (balance des blancs à suivi automatique)
Position 15	IR Cut-Removable (ICR) – Activé
Position 16	IR Cut-Removable (ICR) – Désactivé

Pour plus d'informations sur chaque fonction, consultez le Manuel Technique de la caméra.

## Face arrière/inférieure



- 21 Sélecteur MODE**  
Sélectionnez la position correspondant à la caméra compatible VISCA à connecter.

Position du sélecteur	Mode de caméra
0	Automatiquement sélectionné (par défaut)
1	BRC-300/300P
2	EVI-D70/D70P
3	EVI-D100/D100P
4	EVI-D30/D30P
5	SNC-RZ30N/RZ30P
6	BRC-H700/H700P

#### Remarques

- Utilisez une position 1 à 4 lorsque toutes les caméras connectées sont de même modèle.
- Utilisez la position 5 pour la SNC-RZ30N/RZ30P.

- 22 Connecteur VISCA RS-232C**  
Raccordez ce connecteur au connecteur VISCA RS-232C IN de la caméra ou du module multiplex optique.

- 23 Connecteur VISCA RS-422**  
Raccordez ce connecteur au connecteur VISCA RS-422 de la caméra ou du module multiplex optique.  
Une fiche de connexion RS-422 a été montée en usine.

- 24 Connecteur TALLY/CONTACT**  
Ce connecteur est utilisé pour l'entrée du signal du témoin de signalisation ou la sortie du signal de contact.  
Sélectionnez la fonction du connecteur à l'aide du sélecteur TALLY/CONTACT.

Une fiche de connexion RS-422 a été montée en usine.

- 25 Sélecteur TALLY/CONTACT**  
Ce sélecteur permet de sélectionner la fonction du connecteur TALLY/CONTACT.

**TALLY :** Le témoin de signalisation de la caméra sélectionnée avec le sélecteur vidéo connecté s'allume.

**CONTACT :** La sortie de contact correspondant à l'adresse de la caméra sélectionnée avec ce pupitre est court-circuitée contre le sélecteur vidéo connecté.

**CONTACT (TALLY) :** La sortie de contact correspondant à l'adresse de caméra sélectionnée avec ce pupitre est court-circuitée contre le sélecteur vidéo connecté et le témoin de signalisation de la caméra sélectionnée avec le sélecteur vidéo connecté s'allume.

- 26 Connecteur DC IN 12V**  
Permet de brancher l'adaptateur secteur fourni.

- 27 Commutateurs DIP (face inférieure)**  
**Commutateur 1 (Sélecteur RS-232C/RS-422)**  
Placez-le sur ON pour RS-422 ou sur OFF pour RS-232C.

**Commutateur 2 (Sélecteur de vitesse de transmission)**  
Placez-le sur ON pour 38 400 bit/s ou sur OFF pour 9 600 bit/s.

- 28 Interrupteur ON/OFF**  
Appuyez sur cet interrupteur pour mettre le pupitre sous/hors tension.

#### Remarque

Positionnez les commutateurs avant de mettre ce pupitre sous tension. Le changement de position ne serait autrement pas pris en compte.

## Fonctions disponibles pour les caméras Sony VISCA

Les fonctions des boutons, touches et connecteurs de la liste suivante diffèrent selon le modèle de caméra connecté. Les fonctions des autres pièces sont les mêmes pour tous les modèles de caméra.

Pièces	BRC-300/ 300P, BRC- H700/H700P	EVI-D100/ D100P	EVI-D70/ D70P	EVI-D30/ D30P	SNC-RZ30N/ RZ30P
<b>2</b> Bouton VALUE/R	○	○	○	×	○
<b>3</b> Bouton BRIGHT/B	○	○	○	×	○
<b>7</b> Touche ONE PUSH AF	○	○	○	×	○
<b>12</b> Touche PAN-TILT RESET	○	○	○	○	×
<b>14</b> Touche MENU	○	○	○	○	×
<b>18</b> Touche POWER	○	○	○	○	×
<b>19</b> Touches CAMERA	○	○	○	○	×
<b>23</b> Connecteur VISCA RS-422	○	×	○	×	×

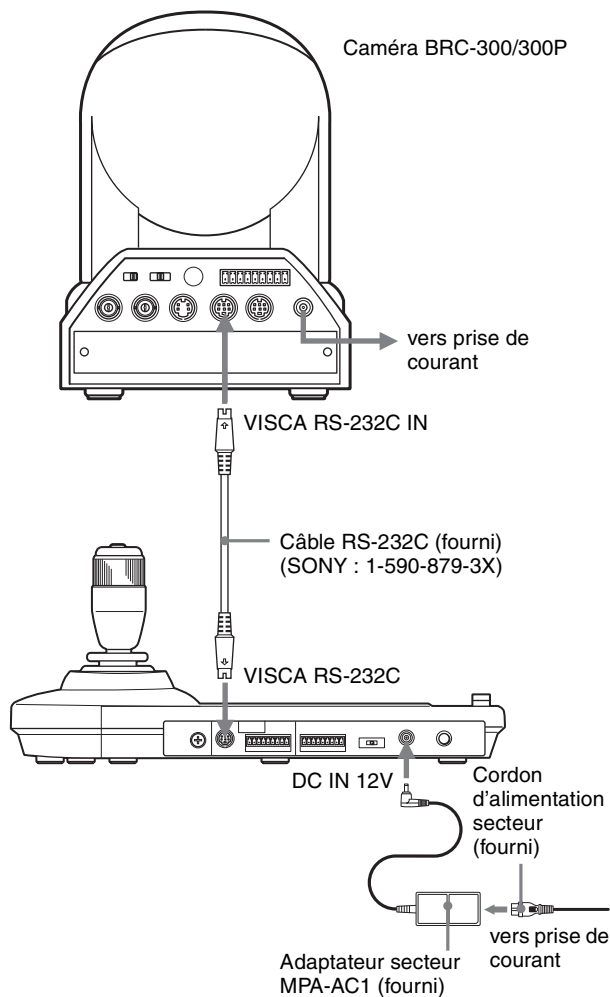
○: disponible, ×: non disponible

# Raccordements

Cette section présente des exemples de raccordement à la caméra BRC-300/300P. Pour le raccordement à d'autres caméras, consultez leur mode d'emploi.

## Raccordement d'une caméra dotée d'un connecteur VISCA RS-232C

- 1 Raccordez ce pupitre à la caméra à l'aide du câble de raccordement RS-232C fourni avec le pupitre.
- 2 Branchez ce pupitre à une prise de courant à l'aide de l'adaptateur secteur et du cordon d'alimentation fournis.



### Remarque

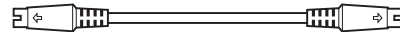
Lorsque vous utilisez les connecteurs VISCA RS-232C, assurez-vous que le commutateur DIP au-dessous de ce pupitre (page 8) se trouve sur RS-232C.

### Câbles de raccordement

Utilisez le câble de raccordement suivant pour raccorder les périphériques de cette chaîne.

Câble	N° de pièce	Nombre
Câble RS-232C (3 m (10 pieds))	1-590-879-3X	1

### Câble RS-232C

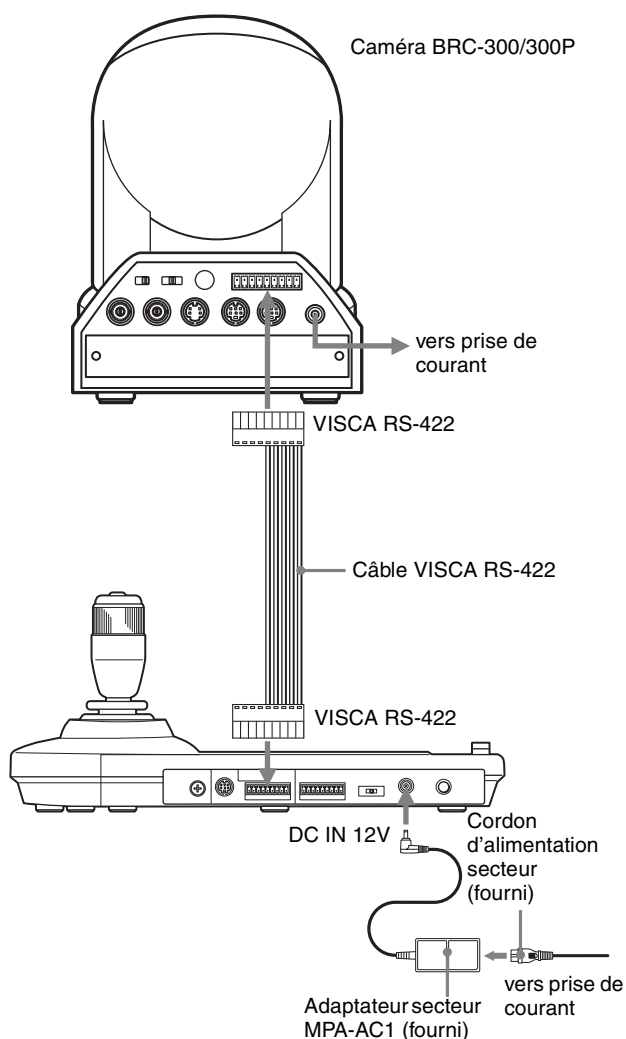


## Raccordement d'une caméra dotée d'un connecteur VISCA RS-422

Vous pouvez utiliser les connecteurs VISCA RS-422 au lieu des connecteurs VISCA RS-232C pour raccorder ce pupitre à la caméra. L'utilisation des connecteurs VISCA RS-422 permet un raccordement sur une distance maximale de 1 200 m (3 937 pieds). Préparez le câble de raccordement en utilisant les fiches de connexion RS-422 fournies avec ce pupitre.

Pour la préparation du câble, reportez-vous au brochage du connecteur VISCA RS-422 (page 18).

Pour l'utilisation des fiches de connexion RS-422, voir page 19.

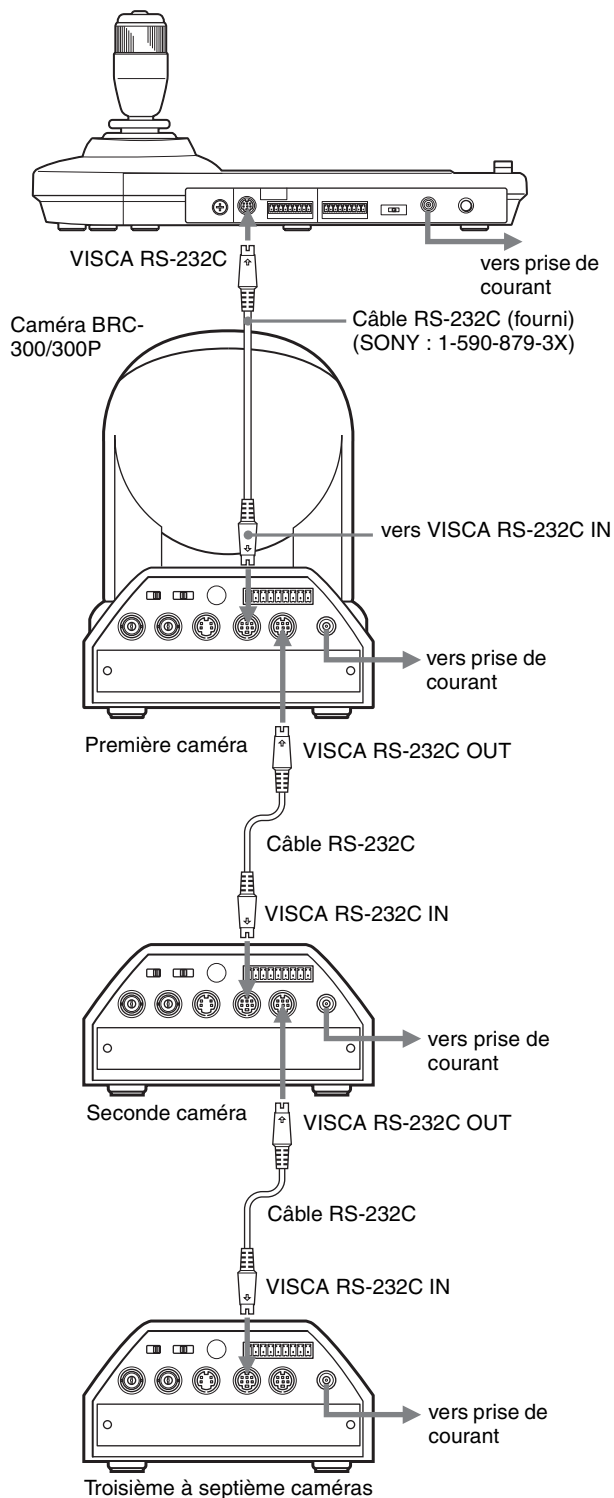


### Remarques

- Lorsque vous utilisez les connecteurs VISCA RS-422, assurez-vous que le commutateur DIP au-dessous de ce pupitre (page 8) se trouve sur RS-422.
- Lorsque les raccordements sont effectués à l'aide des connecteurs VISCA RS-422, la connexion VISCA RS-232C n'est pas disponible.

## Raccordement de plusieurs caméras dotées d'un connecteur VISCA RS-232C

Le raccordement avec des câbles VISCA RS-232C (type croisé) permet de commander jusqu'à sept caméras avec un seul pupitre de télécommande RM-BR300.



### Remarque

Lorsque vous utilisez les connecteurs VISCA RS-232C, assurez-vous que le commutateur DIP au-dessous de ce pupitre (page 8) se trouve sur RS-232C.

### Pour attribuer les adresses de caméra

Avant l'utilisation, vous devez attribuer des adresses aux caméras connectées en procédant comme il est indiqué ci-dessous. Vous pourrez alors sélectionner la caméra à commander en appuyant simplement sur la touche CAMERA correspondante.

- 1 Mettez toutes les caméras connectées et ce pupitre sous tension.
- 2 Tout en maintenant la touche RESET enfoncée, appuyez sur la touche POWER de ce pupitre. Le pupitre reconnaît les caméras connectées et leur attribue automatiquement des adresses de 1 à 7 dans l'ordre de leur connexion.
- 3 Appuyez sur la touche POWER de ce pupitre et assurez-vous que les touches CAMERA s'allument. Le nombre de touches CAMERA allumées indique le nombre de caméras auxquelles une adresse a été attribuée. Vous pouvez maintenant sélectionner la caméra à commander en appuyant sur la touche CAMERA.

### Raccordement de plusieurs caméras dotées d'un connecteur VISCA RS-422

Le raccordement via les connecteurs VISCA RS-422 permet de commander plusieurs caméras. Ceci permet un raccordement sur une distance maximale de 1 200 m (3 937 pieds).

Préparez le câble de raccordement en utilisant la fiche de connexion RS-422 fournie avec ce pupitre.

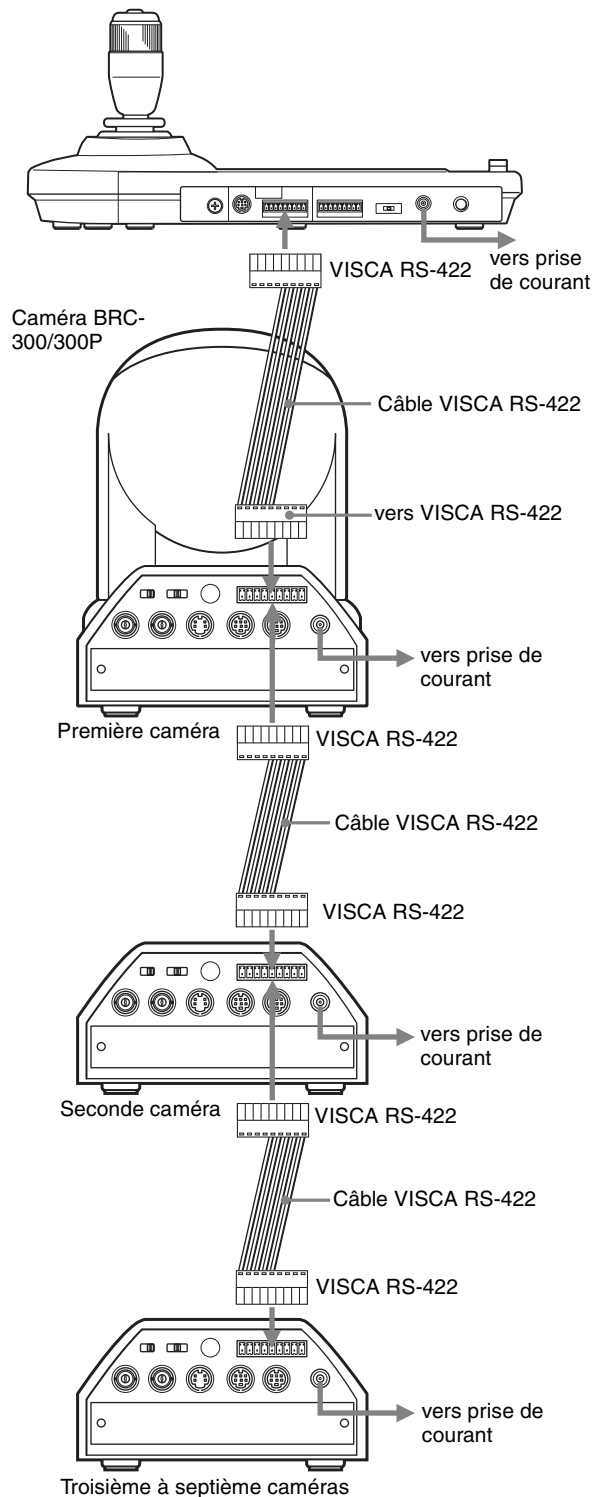
Pour la préparation du câble, reportez-vous au brochage du connecteur VISCA RS-422 (page 18).

Pour l'utilisation des fiches de connexion RS-422, voir page 19.

Pour le schéma de câblage de la connexion VISCA RS-422, consultez le mode d'emploi fourni avec la BRC-300/300P.

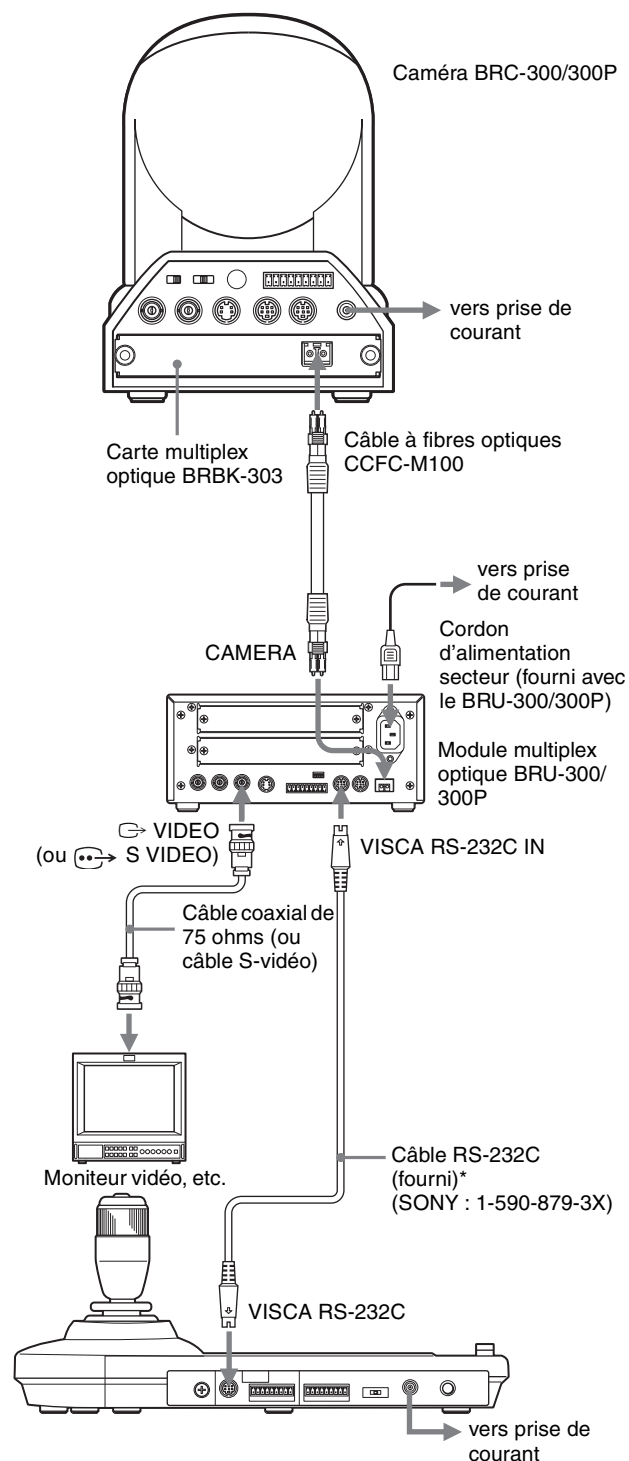
### Remarques

- Lorsque vous utilisez les connecteurs VISCA RS-422, assurez-vous que le commutateur DIP au-dessous de ce pupitre (page 8) se trouve sur RS-422.
- Lorsque les raccordements sont effectués à l'aide des connecteurs VISCA RS-422, la connexion VISCA RS-232C n'est pas disponible.



## Raccordement du module multiplex optique BRU-300/300P

Vous pouvez commander la caméra depuis ce pupitre via le module multiplex optique BRU-300/300P (non fourni).



\* La connexion VISCA RS-422 est également disponible si vous utilisez les connecteurs VISCA RS-422.

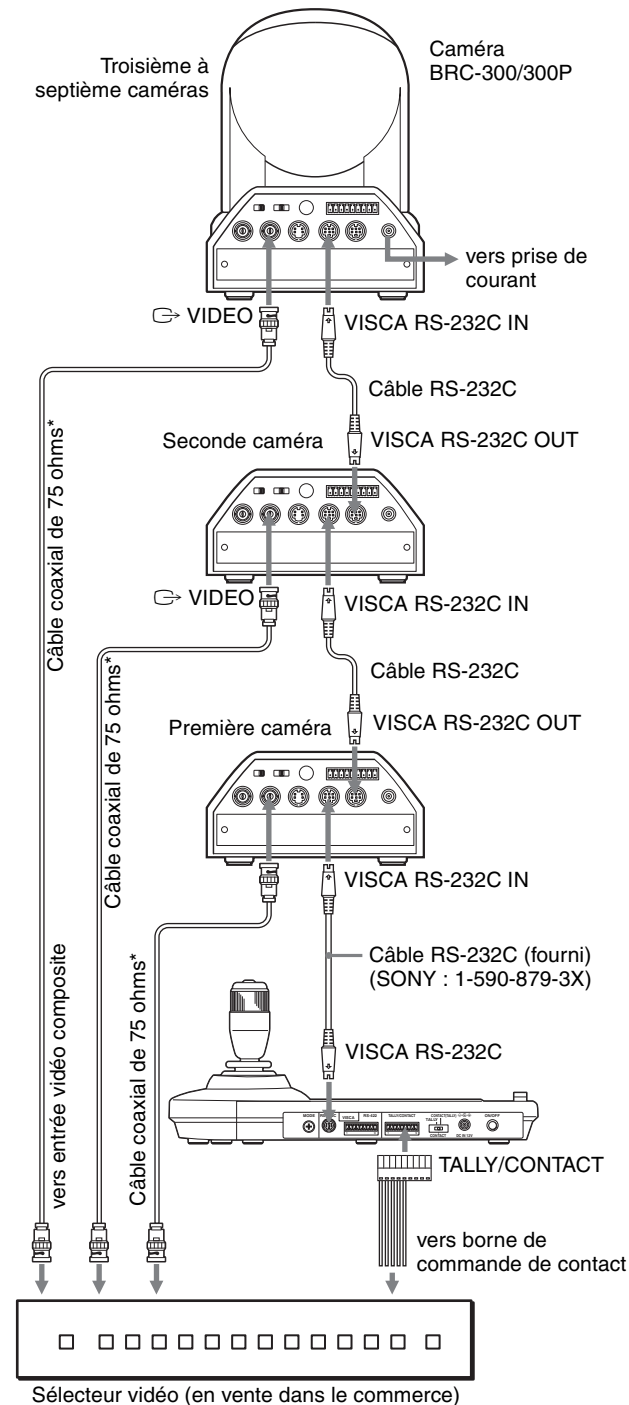
Pour la caméra BRC-H700/H700P, vous pouvez utiliser le module multiplex optique BRU-H700/H700P pour commander la caméra avec ce pupitre. Pour plus d'informations sur le raccordement, consultez le mode d'emploi de la BRC-H700/H700P.

### Remarque

Lorsque vous utilisez les connecteurs VISCA RS-232C ou VISCA RS-422, assurez vous que le commutateur VISCA FUNCTION à l'arrière du module multiplex optique et le commutateur DIP au-dessous de ce pupitre (page 8) se trouvent respectivement sur RS-232C ou RS-422.

## Raccordement d'un sélecteur vidéo

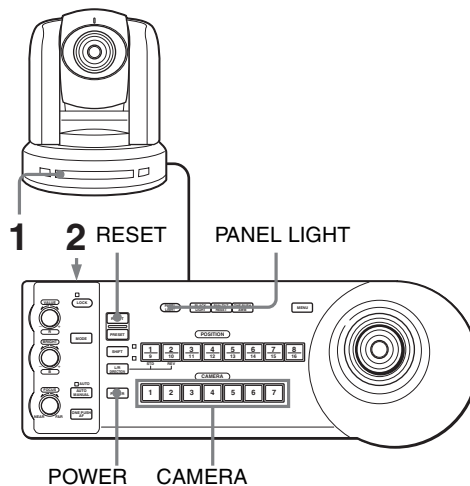
Utilisez un sélecteur vidéo à commande de contact en vente dans le commerce pour sélectionner la sortie des signaux de plusieurs caméras.



\* Vous pouvez également utiliser un câble de raccordement S-vidéo pour raccorder le connecteur S VIDEO de la caméra au connecteur d'entrée S-vidéo du sélecteur vidéo.

Pour le raccordement à un sélecteur vidéo, consultez son mode d'emploi.

## Mise sous tension



- 1 Branchez la caméra à une prise de courant. La caméra est mise sous tension et le témoin POWER s'allume. Une opération de panoramique et inclinaison est automatiquement exécutée pour ramener la caméra sur la position mémorisée dans POSITION 1 (opération de retour sur la position initiale de panoramique/inclinaison).
- 2 Appuyez sur l'interrupteur ON/OFF de ce pupitre pour le mettre sous tension. La touche CAMERA correspondant à la dernière caméra mise hors tension s'allume. (La touche CAMERA 1 s'allume par défaut.)
- 3 Mettez les périphériques sous tension.

### Remarques

- Mettez toujours la caméra sous tension avant ce pupitre. À défaut, le pupitre ne reconnaîtrait pas la caméra connectée.
- Ne touchez pas la manette de commande lorsque vous mettez le pupitre sous tension. Ceci pourrait affecter le repérage de l'origine.

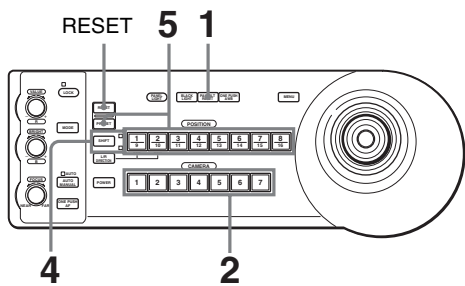
### Pour mettre la caméra sous/hors tension à l'aide de ce pupitre

Tant que la caméra est branchée à une prise de courant, vous pouvez la mettre sous tension et hors tension à l'aide de la touche POWER de ce pupitre. Tout en maintenant la touche POWER enfoncée, appuyez sur la touche CAMERA correspondant à la caméra que vous désirez mettre sous/hors tension. Lorsque vous coupez l'alimentation à l'aide de ce pupitre, le témoin POWER s'éteint et le témoin STANDBY s'allume sur la caméra.

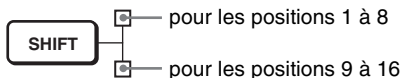
# Mémorisation des paramètres de la caméra

## – Fonction de mémorisation

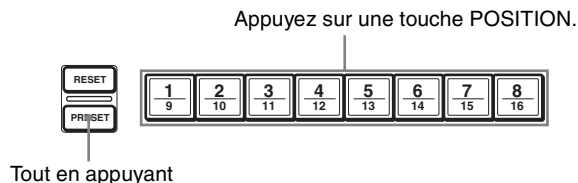
Vous pouvez mémoriser jusqu'à seize combinaisons de paramètres (seize positions), y compris position de la caméra, zoom, mise au point et contre-jour, dans la caméra à l'aide de ce pupitre.



- 1** Appuyez sur la touche PAN-TILT RESET pour exécuter une opération de retour sur la position initiale de panoramique/inclinaison.
- 2** Appuyez sur la touche CAMERA pour sélectionner la caméra dont vous désirez mémoriser les paramètres.
- 3** Réglez la position, le zoom, la mise au point et le contre-jour de la caméra.
- 4** Appuyez sur la touche SHIFT pendant plus d'une seconde pour sélectionner la fonction des touches of POSITION 1 à 8 si nécessaire. (sauf pour la BRC-H700/H700P)  
 Pour mémoriser sur les positions 1 à 8, appuyez sur la touche SHIFT de façon que le témoin supérieur s'allume. Les touches POSITION 1 à 8 peuvent être utilisées pour les positions 1 à 8.  
 Pour mémoriser les positions 9 à 16, appuyez sur la touche SHIFT de façon que le témoin inférieur s'allume. Les touches POSITION 1 à 8 peuvent être utilisées pour les positions 9 à 16.



- 5** Tout en maintenant la touche PRESET enfoncée, appuyez sur la touche POSITION 1 à 8 sur laquelle vous désirez mémoriser les paramètres. (sauf pour la BRC-H700/H700P)



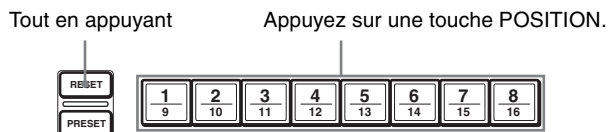
Les paramètres sont mémorisés dans la caméra. La touche enfoncée clignote pendant la mémorisation. Le clignotement cesse lorsque la mémorisation est terminée.

### Pour rappeler les paramètres mémorisés

Sélectionnez la fonction des touches POSITION 1 à 8 en appuyant sur la touche SHIFT pendant plus d'une seconde si nécessaire. Appuyez sur la touche POSITION 1 à 8 sur laquelle ont été mémorisés les paramètres.

### Effacement de la mémoire

Sélectionnez la fonction des touches POSITION 1 à 8 à l'aide de la touche SHIFT si nécessaire. Tout en maintenant la touche RESET enfoncée, appuyez sur la touche POSITION de laquelle vous désirez effacer les paramètres.



La touche enfoncée clignote pendant l'effacement des paramètres. Le clignotement cesse lorsque les paramètres ont été effacés.

### Remarques

- À la remise sous tension, la caméra commence avec les paramètres mémorisés sur POSITION 1.
- Si vous désirez conserver les positions de panoramique et d'inclinaison précédentes lorsque vous remettez la caméra sous tension après l'avoir mise hors tension, mémorisez-les sur POSITION 1.
- Pendant la mémorisation ou l'effacement des paramètres d'une POSITION, vous ne pouvez pas rappeler, mémoriser ou effacer les paramètres d'une autre POSITION.



## Pour sélectionner les positions 9 à 16 pour la BRC-H700/H700P

Tout en maintenant la touche SHIFT enfoncée, appuyez sur la touche PRESET (pour mémoriser ou rappeler les paramètres) ou sur la touche RESET (pour annuler les paramètres). Le témoin inférieur s'allume et vous pouvez utiliser les touches POSITION 1 à 8 pour les positions 9 à 16.

Lorsque vous relâchez la touche SHIFT, le témoin supérieur s'allume et vous pouvez utiliser les touches POSITION 1 à 8 pour les positions 1 à 8.

Pour la BRC-H700/H700P, il n'est pas nécessaire d'appuyer préalablement sur la touche SHIFT pendant plus d'une seconde pour changer l'état du témoin.

## Mémorisation de la vitesse de déplacement de la caméra sur une position prédéfinie (BRC-300/300P et BRC-H700/H700P seulement)

Vous pouvez sélectionner la vitesse de panoramique/inclinaison lors du déplacement de la caméra sur une position prédéfinie.

- 1** Appuyez sur la touche CAMERA pour sélectionner la caméra dont vous désirez spécifier la vitesse.
- 2** Appuyez sur la touche POSITION sur laquelle vous désirez mémoriser la vitesse pendant plus d'une seconde.  
Toutes les touches CAMERA (1 à 7) clignotent.
- 3** Appuyez sur l'une des touches CAMERA pour sélectionner la vitesse.

Touche CAMERA	Vitesse de panoramique/inclinaison
1	1 degré/s
2	2,2 degrés/s
3	4,8 degrés/s
4	11 degrés/s
5	23,3 degrés/s
6	43 degrés/s
7	60 degrés/s (réglage par défaut)

La caméra se déplace alors à la vitesse sélectionnée sur la position mémorisée sur la touche POSITION enfoncée.

## Pour régler la vitesse de déplacement de la caméra sur une position prédéfinie pour la BRC-H700/H700P

Pour régler la vitesse de déplacement de la caméra sur une position prédéfinie entre 9 et 16 appuyez sur la touche POSITION correspondante tout en maintenant la touche SHIFT enfoncée.

## Dépannage

Avant d'avoir recours au service après-vente, vérifiez les points suivants afin de localiser l'origine du problème. Si vous ne parvenez pas à remédier au problème, consultez votre revendeur Sony.

Symptôme	Cause	Remède
L'alimentation du pupitre n'est pas établie.	L'adaptateur secteur n'est pas solidement connecté à la fiche DC IN 12V.	Enfoncez le cordon d'alimentation à fond.
	Le cordon d'alimentation secteur n'est pas solidement connecté à l'adaptateur secteur ou à la prise de courant.	Enfoncez le cordon d'alimentation à fond.
La caméra ne peut pas être commandée depuis le pupitre.	Le raccordement à l'aide des connecteurs VISCA RS-422 n'est pas correctement effectué.	Assurez-vous que le raccordement aux connecteurs VISCA RS-422 est correctement effectué et que le câble RS-422 est correctement branché.
	L'option de commande VISCA sélectionnée est incorrecte.	Sélectionnez le paramètre (RS-232C ou RS-422) correcte avec le commutateur DIP au-dessous du pupitre (page 8).
	La vitesse de transmission sélectionnée sur la caméra et le pupitre diffèrent.	Sélectionnez la même vitesse de transmission (9 600 ou 38 400 bit/s) que sur la caméra avec le commutateur DIP du pupitre (page 8).
Le pupitre ne fonctionne pas du tout.	—	Débranchez la fiche du cordon d'alimentation de la prise de courant, attendez quelques instants, puis rebranchez-la.

# Spécifications

## Connecteurs d'entrée/sortie

Entrées/sorties de commande

VISCA RS-232C OUT : Type mini-DIN 8 broches

VISCA RS-422 : Type 9 broches

TALLY IN/CONTACT OUT : Type 9 broches

Format de signal de commande

9 600/38 400 bit/s

Données : 8 bits

Bit d'arrêt : 1

Connecteur d'alimentation

JEITA type 4 (DC IN 12V)

## Généralités

Tension d'entrée

12 V CC (10,8 à 13,2 V CC)

Consommation de courant

0,2 A maximum. (à 12 V CC), 2,4 W

Température de fonctionnement

0 à +40 °C (32 à 104 °F)

Température de stockage

-20 à +60 °C (-4 à 140 °F)

Dimensions 391,3 × 185 × 145,9 mm (l/h/p)

(15 1/2 × 7 3/8 × 5 3/4 pouces)

Poids

950 g (2 livres 15 onces) environ

## Accessoires fournis

Adaptateur secteur MPA-AC1 (Sony) (1)

Cordon d'alimentation secteur (1)

Câble de raccordement RS-232C (1)

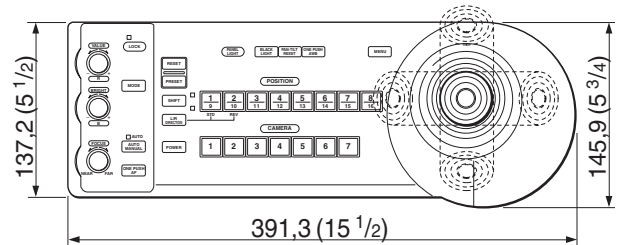
Fiche de connexion RS-422 (2)

Mode d'emploi (1)

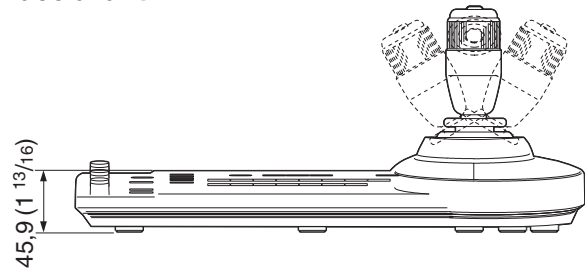
La conception et les spécifications sont susceptibles d'être modifiées sans préavis.

# Dimensions

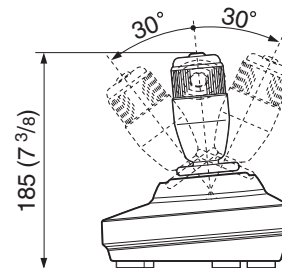
## Face supérieure



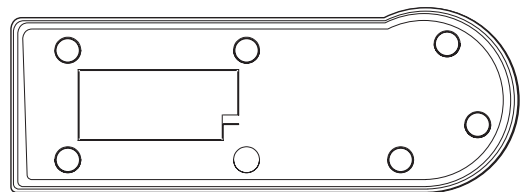
## Face avant



## Face latérale



## Face inférieure



Unité : mm (pouces)

Annexe

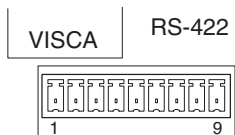
## Brochage

### Connecteur de sortie VISCA RS-232C (mini DIN 8 broches, femelle)



N° de broche	Fonction
1	Pas de connexion
2	Pas de connexion
3	TXD IN
4	GND
5	RXD IN
6	GND
7	Pas de connexion
8	Pas de connexion

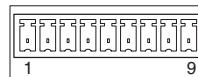
### Connecteur VISCA RS-422 (fiche de connexion, 9 broches)



N° de broche	Fonction
1	Pas de connexion
2	Pas de connexion
3	Pas de connexion
4	Pas de connexion
5	GND
6	RXD IN-
7	RXD IN+
8	TXD IN-
9	TXD IN+

### Connecteur TALLY/CONTACT (fiche de connexion, 9 broches)

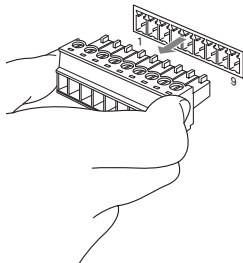
TALLY/CONTACT



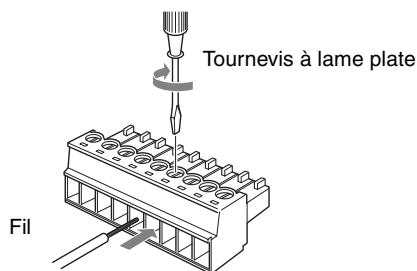
N° de broche	Fonction
1	CAMERA1
2	CAMERA2
3	CAMERA3
4	CAMERA4
5	CAMERA5
6	CAMERA6
7	CAMERA7
8	GND
9	GND

## Utilisation de la fiche de connexion VISCA RS-422

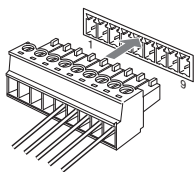
- 1 Prenez la fiche de connexion VISCA RS-422 aux deux extrémités et retirez-la comme sur l'illustration.



- 2 Insérez un fil (AWG n° 28 à 18) dans l'orifice désiré de la fiche et serrez la vis pour ce fil à l'aide d'un tournevis à lame plate.



- 3 Insérez la fiche de connexion VISCA RS-422 dans le connecteur VISCA RS-422.



### Remarques

- Pour stabiliser le niveau de tension du signal, raccordez les deux extrémités à la terre (GND).
- Lorsque les raccordements sont effectués à l'aide des connecteurs VISCA RS-422, la connexion VISCA RS-232C n'est pas disponible.
- La distance de raccordement maximale avec la connexion VISCA RS-422 est d'environ 1 200 m (3 937 pieds).

## **ADVERTENCIA**

**Para reducir el riesgo de incendio o electrocución, no exponga este producto a la lluvia ni a la humedad.**

**Para evitar descargas eléctricas, no abra el aparato. Solicite asistencia técnica únicamente a personal especializado.**

### **ADVERTENCIA**

Utilice el adaptador de alimentación de CA MPA-AC1 Sony provisto con este equipo como fuente de alimentación. Cualquier otra fuente de alimentación podrá resultar en peligros tales como un incendio. El dispositivo de desconexión de este equipo es la clavija de conexión a la red del adaptador de CA. Para desconectar la alimentación de la red deberá utilizarse la clavija de conexión a la red de este equipo. Por favor, asegúrese de que la toma de corriente esté instalada cerca del equipo y que sea fácilmente accesible. En caso de operaciones anormales, desconecte la clavija de conexión a la red.

### **IMPORTANTE**

La placa de datos se encuentra en la parte inferior.

### **ATENCIÓN**

Los campos electromagnéticos en las frecuencias específicas pueden influir sobre la imagen de esta unidad.

---

# Índice

---

## Descripción general

Características .....	4
Precauciones .....	4
Ubicación y función de componentes .....	5
Funciones disponibles para las cámaras Sony VISCA .....	8

---

## Conexiones y operaciones

Conexiones .....	9
Conexión de una cámara equipada con conector VISCA RS-232C .....	9
Conexión de una cámara equipada con conector VISCA RS-422 .....	10
Conexión de múltiples cámaras equipadas con conector VISCA RS-232C .....	10
Conexión de múltiples cámaras equipadas con conector VISCA RS-422 .....	11
Conexión de la unidad de multiplexación óptica BRU-300/300P .....	12
Conexión de un conmutador de vídeo .....	13
Encendido de la alimentación .....	13
Almacenamiento de los ajustes de la cámara en la memoria – Función de preajuste .....	14
Ajuste de la velocidad del movimiento de la cámara a una posición predeterminada (BRC-300/300P y BRC-H700/H700P solamente) .....	15

---

## Apéndice

Solución de problemas .....	16
Especificaciones .....	17
Dimensiones .....	17
Asignaciones de terminales .....	18
Uso de la clavija de conector VISCA RS-422 .....	19

## Descripción general

### Características

**La palanca de control óptica de tres ejes permite realizar cómodamente operaciones de movimiento horizontal/vertical/zoom.**

**Fácil realización de ajustes de cámara versátiles**

Utilizando los botones de la unidad, usted podrá realizar fácilmente varios ajustes de la cámara tales como enfoque automático, ajuste del enfoque automático con un solo toque, ajuste AE, ajuste del balance del blanco automático con un solo toque y compensación de la iluminación de fondo.

**Las interfaces de comunicación VISCA RS-232C/RS-422 permiten comunicación a alta velocidad a larga distancia.**

La unidad puede controlar hasta siete cámaras conectadas en cadena.

**Un terminal de entrada con lámpara indicadora/salida de terminal (clavija de conector de 9 terminales) permite conectar un conmutador de vídeo.**

**Función de preajuste para guardar ajustes de la cámara**

La unidad permite guardar hasta 16 combinaciones\* de ajustes de cámara tales como posiciones de movimiento horizontal/vertical/zoom y otros valores de ajustes de cámara en la memoria de la cámara.

\* El número de posiciones que se pueden guardar varía dependiendo de la cámara conectada. (Para la cámara de vídeo en color BRC-300/300P 3CCD se puede guardar 6 posiciones.)

**Cámaras Sony VISCA que se pueden controlar**

La unidad puede controlar las cámaras siguientes:

- BRC-300/300P 3CCD Color Video Camera
- BRC-H700/H700P HD 3CCD Color Video Camera
- EVI-D100/D100P Color Video Camera
- EVI-D70/D70P Color Video Camera
- EVI-D30/D30P Color Video Camera
- SNC-RZ30N/RZ30P Network Camera

#### Notas

- Las funciones operables están limitadas a aquellas con las que está equipada la cámara.
- Este manual explica principalmente las funciones de la unidad para la cámara BRC-300/300P. Si hay otra cámara conectada, consulte el manual instrucciones que se suministran con la cámara conectada para ver las funciones disponibles.

## Precauciones

### Lugar de funcionamiento o almacenamiento

La unidad podrá dañarse si se utiliza o guarda en los lugares siguientes:

- Lugares extremadamente cálidos o fríos (temperatura de funcionamiento: 0°C a +40°C [32°F a 104°F])
- Lugares expuestos a la luz solar directa durante periodos prolongados o cerca de equipos de calefacción (por ejemplo, radiadores)
- Cerca de fuentes de magnetismo intenso
- Cerca de fuentes de radiación electromagnética intensa como radios o transmisores de TV
- Lugares expuestos a golpes o vibraciones intensas

### Ventilación

Para evitar la acumulación de calor, no bloquee la circulación del aire alrededor de la unidad.

### Transporte

Cuando transporte la unidad, vuelva a empaquetarla como estaba empaquetada originalmente de fábrica o en materiales de igual calidad.

### Limpieza

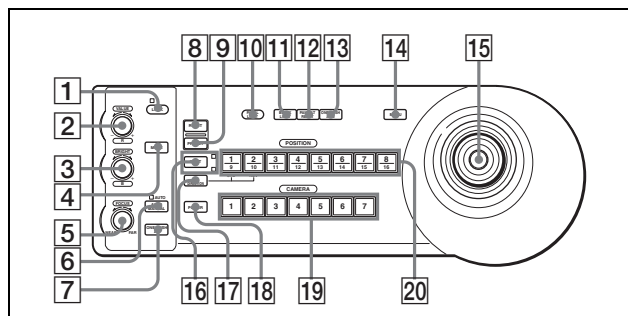
- Para limpiar las superficies externas de la unidad utilice un paño suave y seco. Para eliminar las manchas difíciles, utilice un paño suave humedecido con una pequeña cantidad de solución detergente y a continuación seque la unidad con un paño.
- No utilice disolventes volátiles, como alcohol, bencina o diluyentes, ya que pueden dañar los acabados de la superficie.



# Ubicación y función de componentes

Este manual se centra en el funcionamiento de la RM-BR300 cuando se utiliza con la cámara BRC-300/300P o BRC-H700/H700P.

## Parte delantera



### 1 Botón e indicador LOCK

Pulse el botón LOCK durante más de un segundo, y se encenderá el indicador LOCK y se bloquearán los valores establecidos por los controles VALUE/R, BRIGHT/B y FOCUS. (Los indicadores de los controles bloqueados se apagarán.) También se inhabilitará el botón AUTO/MANUAL. Pulse el botón LOCK durante más de un segundo otra vez para desbloquear los controles y los botones.

### 2 Control VALUE/R

**Cuando se seleccione el modo de ajuste del brillo con el botón MODE (con el indicador VALUE encendido):**

Este control ajusta el valor del elemento (SHUTTER o IRIS) seleccionado en la cámara.

Cuando el indicador VALUE esté encendido, la función del control variará de acuerdo con el modo de exposición seleccionado en la cámara. Para más detalles, consulte “Funciones de los controles VALUE y BRIGHT” en página 5.

**Cuando se seleccione el modo de ajuste del balance del blanco con el botón MODE (con el indicador R encendido):**

Este control ajusta el R. GAIN (ganancia de rojo) (excepto la EVI-D30/D30P).

Cuando se conecta la cámara BRC-H700/H700P, la función del control con el indicador R encendido variará de acuerdo con el modo del balance del blanco seleccionado en la cámara. Para más detalles, consulte “Funciones de los controles R y B para la cámara BRC-H700/H700P” en página 6.

### 3 Control BRIGHT/B

**Cuando se seleccione el modo de ajuste del brillo con el botón MODE (con el indicador BRIGHT encendido):**

Este control ajusta el valor del brillo de la cámara, etc.

Cuando el indicador BRIGHT esté encendido, la función del control variará de acuerdo con el modo de exposición seleccionado en la cámara. Para más detalles, consulte “Funciones de los controles VALUE y BRIGHT” en página 5.

**Cuando se seleccione el modo de ajuste del balance del blanco con el botón MODE (con el indicador B encendido):**

Este control ajusta el B. GAIN (ganancia de azul) (excepto la EVI-D30/D30P).

Cuando se conecta la cámara BRC-H700/H700P, la función del control con el indicador B encendido variará de acuerdo con el modo del balance del blanco seleccionado en la cámara. Para más detalles, consulte “Funciones de los controles R y B para la cámara BRC-H700/H700P” en página 6.

## Funciones de los controles VALUE y BRIGHT

Las funciones del control VALUE y el control BRIGHT cambiarán de acuerdo con el ajuste del modo de exposición de la cámara, de la forma siguiente:

Modo de exposición de la cámara	Función de control VALUE	Función de control BRIGHT
<b>FULL AUTO</b>	No se utiliza	Control de nivel de compensación de exposición*
<b>SHUTTER Pri</b>	Control de velocidad del obturador	Control de nivel de compensación de exposición*
<b>IRIS Pri</b>	Control de diafragma	Control de nivel de compensación de exposición*
<b>BRIGHT</b>	No se utiliza	Control de nivel de brillo
<b>MANUAL</b>	Control de velocidad del obturador	Control de diafragma**
<b>GAIN Pri***</b>	Control de ganancia***	No se utiliza

\* Cuando esté activada la función de compensación de exposición en la cámara.

\*\* Para la cámara BRC-H700/H700P es posible el control de diafragma + ganancia.

\*\*\* Sólo está disponible para la cámara BRC-H700/H700P

## Funciones de los controles R y B para la cámara BRC-H700/H700P

Cuando se selecciona el modo de ajuste del balance del blanco con el botón MODE de esta unidad, las funciones del control R y del control B cambian de acuerdo con la configuración del modo del balance del blanco de la cámara BRC-H700/H700P.

Modo de balance del blanco de la cámara	Función del control R	Función del control B
<b>MANUAL</b>	Control de ganancia del rojo	Control de ganancia del azul
<b>AUTO, ONE PUSH</b>	Control WB SHIFT del rojo	Control WB SHIFT del azul

### 4 Botón MODE

Pulse este botón para seleccionar la función del control VALUE/R y del control BRIGHT/B. Cuando se selecciona el modo de ajuste de brillo, se encienden los indicadores VALUE y BRIGHT. Cuando se selecciona el modo de ajuste de balance de blancos, se encienden los indicadores R y B.

### 5 Control FOCUS

Cuando se seleccione MANUAL con el botón AUTO/MANUAL este control estará inhabilitado. Gire el control hacia la izquierda (hacia NEAR) para enfocar un motivo cercano, y hacia la derecha (hacia FAR) para enfocar un motivo lejano.

### 6 Botón AUTO/MANUAL e indicador AUTO

Pulse este botón para seleccionar el modo de enfoque AUTO o MANUAL. Cuando se seleccione AUTO, se encenderá el indicador AUTO y la cámara enfocará automáticamente el motivo situado en el centro de la pantalla. El control FOCUS y el botón ONE PUSH AF estarán inhabilitados. Cuando se selecciona MANUAL, el control FOCUS y el botón ONE PUSH AF se activan (con el indicador FOCUS encendido).

### 7 Botón ONE PUSH AF

Cuando se seleccione MANUAL con el botón AUTO/MANUAL este botón estará inhabilitado. Pulse el botón para realizar la función de enfoque automático con un solo toque (excepto la EVI-D30/D30P).

### 8 Botón RESET

Mantenga pulsado este botón y pulse uno de los botones POSITION, y la memoria de la cámara correspondiente al botón POSITION pulsado recuperará el valor preestablecido de fábrica. Cuando haya conectadas múltiples cámaras, las direcciones de cámaras se ajustarán manteniendo pulsado este botón y pulsando el botón POWER.

### 9 Botón PRESET

Mantenga pulsado este botón y pulse uno de los botones POSITION, y la configuración actual de la cámara se almacenará en la memoria de la cámara correspondiente al botón POSITION pulsado.

### 10 Botón PANEL LIGHT

Pulse este botón para iluminar todos los botones POSITION y botones CAMERA. Pulse de nuevo el botón para apagar la iluminación.

### 11 Botón BACK LIGHT

Cuando seleccione el modo de exposición FULL AUTO en la cámara, pulse este botón para habilitar la función de compensación de la iluminación de fondo de la cámara. Púlselo de nuevo para desactivar la función.

Para la cámara BRC-H700/H700P, mantenga pulsado el botón SHIFT y pulse este botón para habilitar la función de compensación de luz puntual de la cámara. Esta función ajusta la exposición en un nivel más oscuro si una parte del objeto grabado está iluminada. Para deshabilitar la compensación de luz puntual, mantenga pulsado el botón SHIFT y pulse de nuevo este botón.

### 12 Botón PAN-TILT RESET

Pulse este botón para reponer la posición de movimiento horizontal/vertical de la cámara en las condiciones iniciales.

### 13 Botón ONE PUSH AWB

Cuando seleccione el modo de balance del blanco ONE PUSH en la cámara, pulse este botón para realizar el ajuste del balance del blanco con un solo toque.

### 14 Botón MENU

En la cámara BRC-300/300P o BRC-H700/H700P, pulse este botón durante un segundo más o menos para visualizar el menú de la cámara, volver al menú principal o quitar el menú. En otras cámaras, pulse este botón durante un segundo más o menos para activar o desactivar la visualización de datos en pantalla.

### 15 Palanca de control

La palanca de control se utiliza para las operaciones de movimiento horizontal/vertical y zoom. Seleccione la cámara que quiera controlar utilizando los botones CAMERA y accione la palanca de control.

### Movimiento horizontal/vertical

Al inclinar la palanca de control a derecha a izquierda, la cámara se mueve horizontalmente. Al inclinarlo hacia adelante o hacia atrás, la cámara se mueve verticalmente.

La velocidad de movimiento horizontal/vertical cambia según el ángulo de inclinación. Al soltar la palanca de control, el movimiento de la cámara se interrumpe.

**Uso del zoom**

Al girar el disco situado en la parte superior de la palanca de control de izquierda a derecha, el sujeto se hace más grande (se acerca). Al girarlo de derecha a izquierda, el sujeto se hace más pequeño (se aleja).

**Para volver a colocar la cámara en sentido frontal**

Al pulsar el botón situado en la parte superior de la palanca de control durante uno o dos segundos con o sin el menú visualizado, los movimientos horizontal/vertical y zoom se ponen a cero y la cámara vuelve a su posición frontal.

**16 Botón e indicadores SHIFT**

Pulse este botón durante más de un segundo para seleccionar la función de los botones POSITION para posiciones 1 a 8 o posiciones 9 a 16. El indicador superior se enciende para las posiciones 1 a 8 y el indicador inferior para las posiciones 9 a 16.

Para la cámara BRC-H700/H700P, mantenga pulsado el botón SHIFT y pulse uno de los botones POSITION. El indicador inferior se iluminará, y podrá utilizar los botones POSITION para las posiciones 9 a 16. Si suelta el botón SHIFT, el indicador superior se iluminará y podrá utilizar los botones POSITION para las posiciones 1 a 8.

**17 Botón L/R DIRECTION**

La cámara está preajustada para orientarse hacia la derecha siempre que la palanca de control se incline hacia la derecha. Mantenga pulsado este botón y pulse el botón POSITION 2 (REV) para invertir la dirección de movimiento horizontal en la dirección de inclinación de la palanca de control. Para restablecer la dirección, mantenga pulsado este botón y pulse el botón POSITION 1 (STD).

**18 Botón POWER**

Pulse este botón para encender el botón(es) CAMERA correspondiente al estado de la cámara(s) conectada.  
**Azul:** La alimentación de la cámara está activada.  
**Amarillo verde:** La cámara está en el modo de espera.

**Apagado:** No hay cámara conectada. Mantenga pulsado este botón y pulse el botón CAMERA 1 a 7 para encender/apagar la alimentación de la cámara correspondiente al botón pulsado.

**19 Botones CAMERA**

Pulse uno de los botones para seleccionar la cámara entre las conectadas. El botón CAMERA seleccionado se encenderá en azul.

**20 Botones POSITION**

Usted podrá almacenar varios ajustes de la cámara tales como las posiciones de movimiento horizontal/vertical y zoom en la memoria de la cámara correspondientes a cada botón POSITION, y cargar los ajustes almacenados en la memoria.

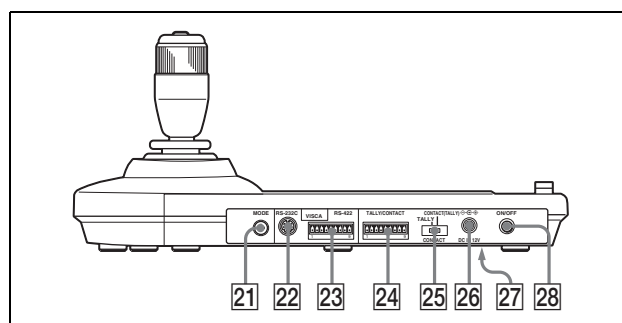
**Funciones de los botones POSITION para las cámaras EVI-D100/D100P y EVI-D70/D70P**

Cuando se conecta una cámara EVI-D100/D100P o EVI-D70/D70P a esta unidad, la unidad detecta automáticamente el modelo de cámara, y las funciones de las posiciones 7 a 16 de los botones POSITION cambian según la tabla siguiente. Esto permite controlar directamente la cámara sin conectarla a un ordenador.

Botón POSITION	Función
Posición 7	Exposición automática – Modo Full Auto
Posición 8	Exposición automática – Modo Bright
Posición 9	Zoom digital – Activado
Posición 10	Zoom digital – Desactivado
Posición 11	Modo de balance del blanco automático
Posición 12	Modo de balance del blanco manual
Posición 13	Modo de balance del blanco One Push
Posición 14	Modo de seguimiento automático de balance del blanco (ATW)
Posición 15	IR Cut-Removable (ICR) – Activado
Posición 16	IR Cut-Removable (ICR) – Desactivado

Para obtener información detallada acerca de cada función, consulte el Manual Técnico de la cámara.

**Parte trasera/Parte inferior**



**21 Selector MODE**

Seleccione la posición correspondiente a la cámara controlable por VISCA que se va a conectar.

Posición del conmutador	Modo cámara
0	Seleccionado automáticamente (por omisión)
1	BRC-300/300P
2	EVI-D70/D70P
3	EVI-D100/D100P
4	EVI-D30/D30P
5	SNC-RZ30N/RZ30P
6	BRC-H700/H700P

**Notas**

- Utilice la posición 1 a 4 cuando todas cámaras conectadas sean del mismo modelo.
- Asegúrese de utilizar la posición 5 para la SNC-RZ30N/RZ30P.

**22 Conector VISCA RS-232C**

Se conecta al conector VISCA RS-232C IN de la cámara o a la unidad de multiplexación óptica.

**23 Conector VISCA RS-422**

Se conecta al conector VISCA RS-422 de la cámara o a la unidad de multiplexación óptica. La instalación de fábrica incluye una clavija de conector RS-422.

**24 Conector TALLY/CONTACT**

Este conector se utiliza para la entrada de la luz indicadora o la salida de contacto. Seleccione la función del conector mediante el selector TALLY/CONTACT. La instalación de fábrica incluye una clavija de conector RS-422.

**25 Selector TALLY/CONTACT**

Seleccione la función del conector TALLY/CONTACT.

**TALLY:** La luz indicadora de la cámara seleccionada con el conmutador conectado se enciende.

**CONTACT:** La salida de contacto correspondiente a la dirección de la cámara seleccionada con esta unidad está cortocircuitada con el conmutador conectado.

**CONTACT (TALLY):** La salida de contacto correspondiente a la dirección de la cámara seleccionada con esta unidad está cortocircuitada con el conmutador conectado y la luz indicadora de la cámara seleccionada con el conmutador conectado se enciende.

**26 Conector DC IN 12V**

Conecte el adaptador de alimentación de CA suministrado.

**27 Interruptores DIP (parte inferior)**

**Interruptor 1 (Selector RS-232C/RS-422)**

Ajústese en ON para RS-422, o en OFF para RS-232C.

**Interruptor 2 (Selector de velocidad de transferencia de comunicación)**

Ajústese en ON para 38400 bps, o en OFF para 9600 bps.

**28 Interruptor ON/OFF**

Pulse este interruptor para encender/apagar esta unidad.

**Nota**

Ajuste los interruptores antes de conectar la

## Funciones disponibles para las cámaras Sony VISCA

Las funciones de los controles, botones y conectores de la lista siguiente varían en función del modelo de cámara conectada. Las funciones de las demás partes son las mismas para todos los modelos de cámara.

Partes	BRC-300/ 300P, BRC- H700/H700P	EVI-D100/ D100P	EVI-D70/ D70P	EVI-D30/ D30P	SNC-RZ30N/ RZ30P
2 Control VALUE/R	○	○	○	×	○
3 Control BRIGHT/B	○	○	○	×	○
7 Botón ONE PUSH AF	○	○	○	×	○
12 Botón PAN-TILT RESET	○	○	○	○	×
14 Botón MENU	○	○	○	○	×
18 Botón POWER	○	○	○	○	×
19 Botones CAMERA	○	○	○	○	×
23 Conector VISCA RS-422	○	×	○	×	×

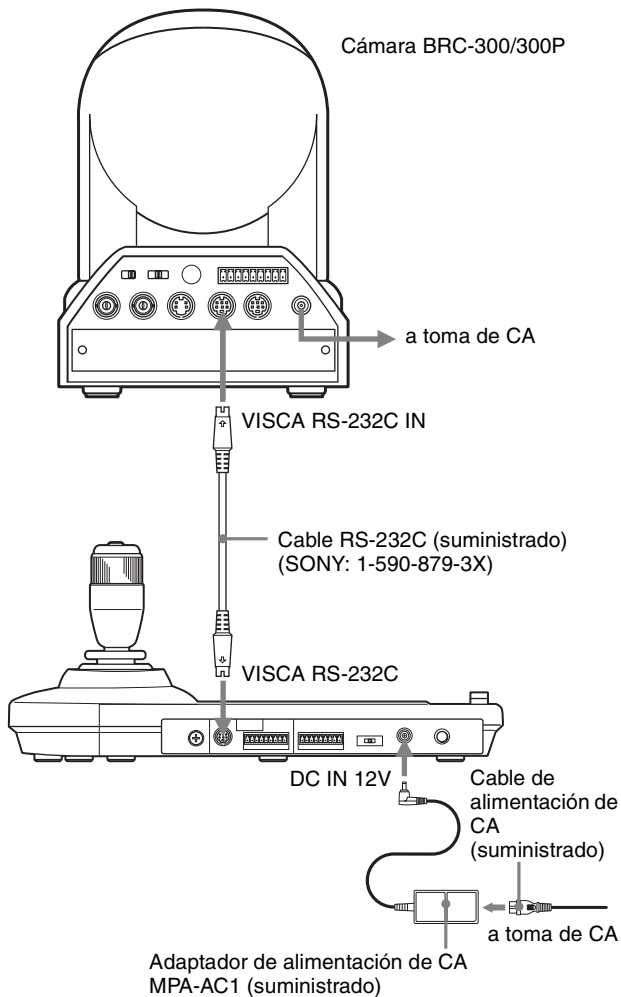
○: disponible, ×: no disponible

## Conexiones

Esta sección se centra en los ejemplos de conexión para la cámara BRC-300/300P. Para las conexiones con otras cámaras, consulte el manual instrucciones que se suministran con la cámara que vaya a conectar.

### Conexión de una cámara equipada con conector VISCA RS-232C

- 1 Conecte esta unidad a la cámara utilizando el cable de conector RS-232C suministrado con esta unidad.
- 2 Conecte esta unidad a una toma de CA utilizando el adaptador de CA y el cable de alimentación de CA suministrados.



### Nota

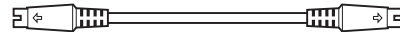
Cuando utilice los conectores VISCA RS-232C, compruebe que el interruptor DIP de la parte inferior de esta unidad (página 8) esté ajustado a RS-232C.

### Cables de conexión

Utilice los siguientes cables de conexión para conectar dispositivos a este sistema.

Cable	N.º de parte	Número
Cable RS-232C (3 m (10 pies))	1-590-879-3X	1

### Cable RS-232C

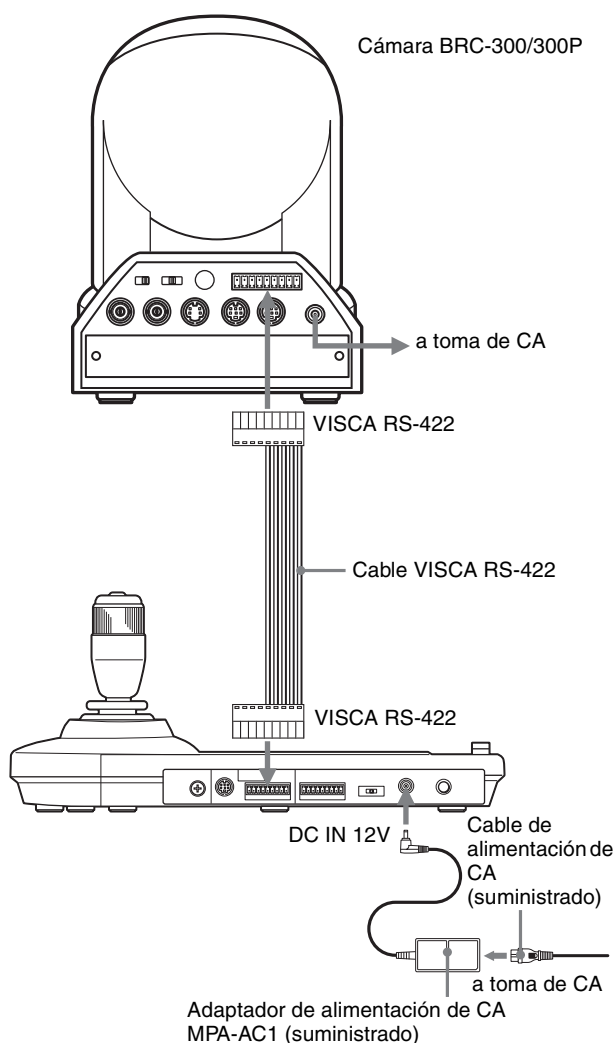


## Conexión de una cámara equipada con conector VISCA RS-422

Usted podrá utilizar los conectores VISCA RS-422 para conectar esta unidad a la cámara en lugar de los conectores VISCA RS-232C. El uso de los conectores VISCA RS-422 permite la conexión a una distancia hasta 1.200 m (3.937 pies).

Prepare el cable de conexión utilizando las clavijas de conector RS-422 que vienen con esta unidad.

Para hacer el cable, consulte las asignaciones de terminales del conector VISCA RS-422 (página 18). Para utilizar las clavijas de conector RS-422, consulte página 19.

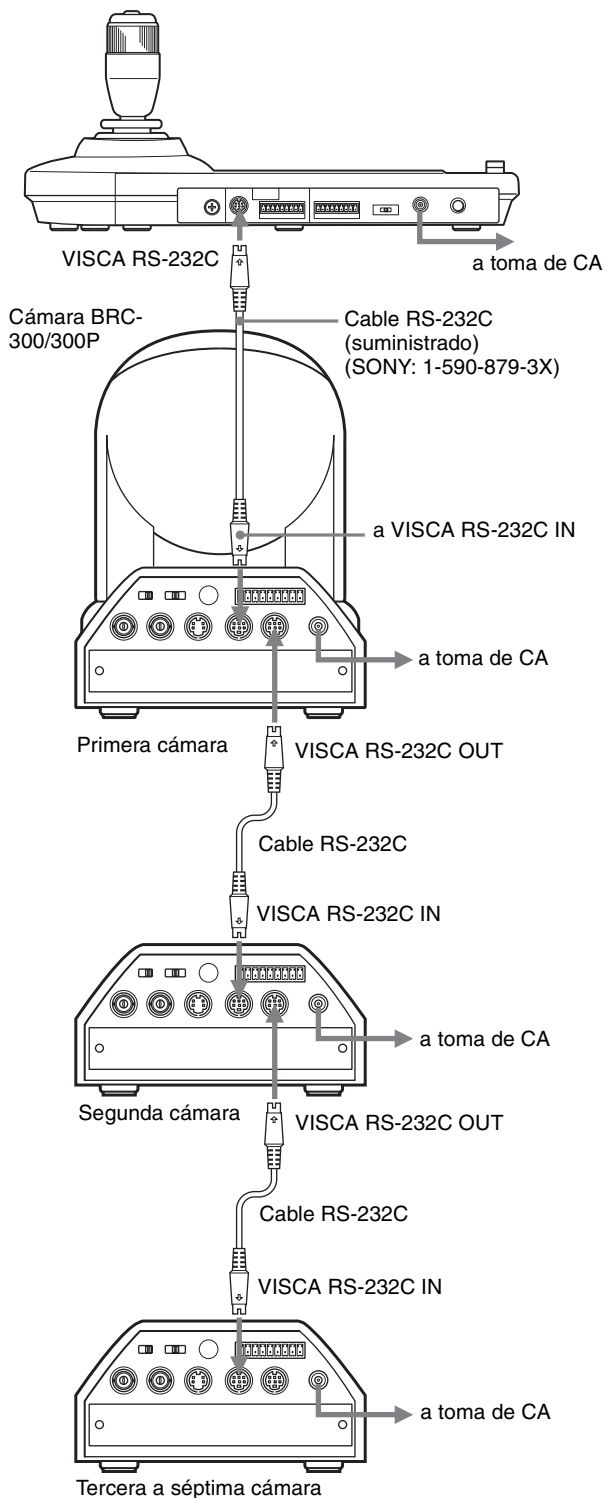


### Notas

- Cuando utilice los conectores VISCA RS-422, compruebe que el interruptor DIP de la parte inferior de esta unidad (página 8) esté ajustado a RS-422.
- Cuando se realicen las conexiones mediante los conectores VISCA RS-422, la conexión VISCA RS-232C no estará disponible.

## Conexión de múltiples cámaras equipadas con conector VISCA RS-232C

Las conexiones con los cables VISCA RS-232C (tipo cruzado) permiten controlar hasta siete cámaras con una sola unidad de mando a distancia RM-BR300.



## Nota

Cuando utilice los conectores VISCA RS-232C, compruebe que el interruptor DIP de la parte inferior de esta unidad (página 8) esté ajustado a RS-232C.

## Para asignar direcciones de cámaras

Antes de ponerlas en funcionamiento, debe asignar las direcciones de cámara a las cámaras conectadas, del modo siguiente. A continuación, puede cambiar la cámara que se va a controlar simplemente pulsando el botón CAMERA correspondiente.

- 1 Conecte la alimentación de todas las cámaras conectadas y de esta unidad.
- 2 Mantenga pulsado el botón RESET y pulse el botón POWER de esta unidad.  
La unidad reconocerá las cámaras conectadas y les asignará las direcciones de cámaras 1 a 7 automáticamente en el orden de conexión.
- 3 Pulse el botón POWER de esta unidad y compruebe que los botones CAMERA se encienden.  
El número de los botones CAMERA encendidos indica cuántas cámaras tienen las direcciones asignadas.  
Ahora usted podrá elegir la cámara que quiera controlar pulsando el botón CAMERA.

## Conexión de múltiples cámaras equipadas con conector VISCA RS-422

La conexión mediante los conectores VISCA RS-422 permite el control de múltiples cámaras. Esto permite la conexión en una distancia hasta 1.200 m (3.937 pies).

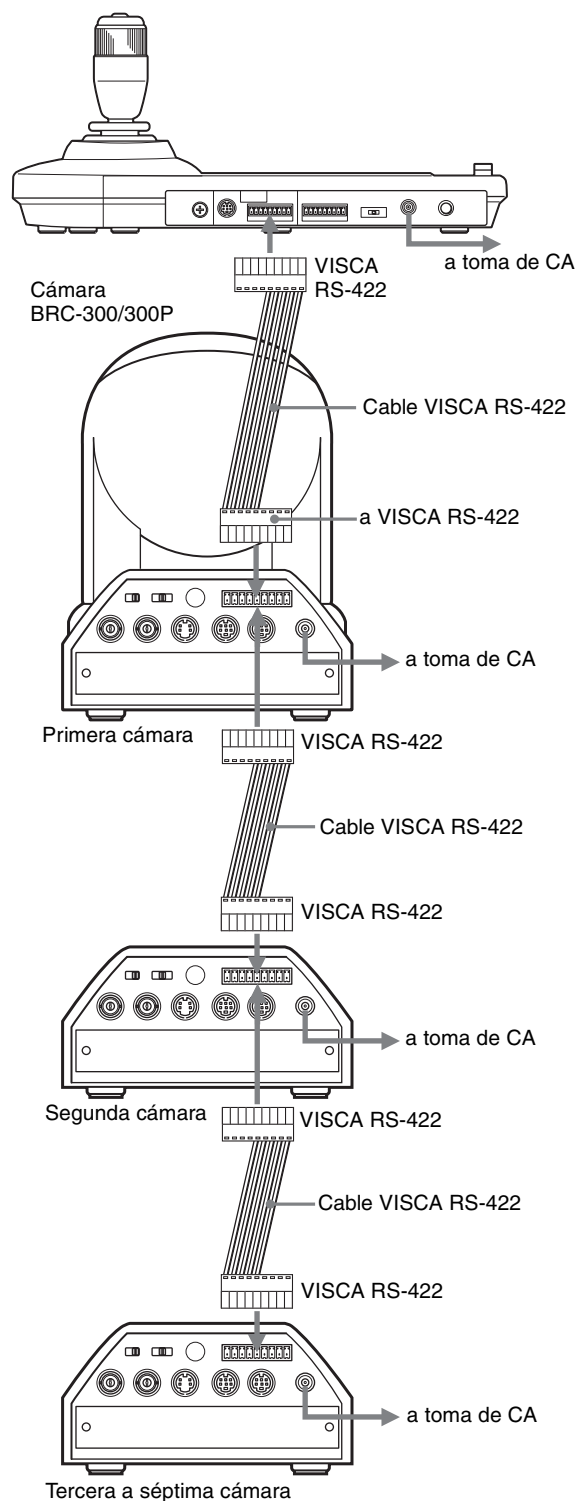
Prepare el cable de conexión utilizando la clavija de conector RS-422 que vienen con esta unidad.

Para hacer el cable, consulte las asignaciones de terminales del conector VISCA RS-422 (página 18). Para utilizar las clavijas de conexión RS-422, consulte página 19.

Para ver el diagrama de cableado de conexión de VISCA RS-422, consulte el manual de instrucciones suministrado con la BRC-300/300P.

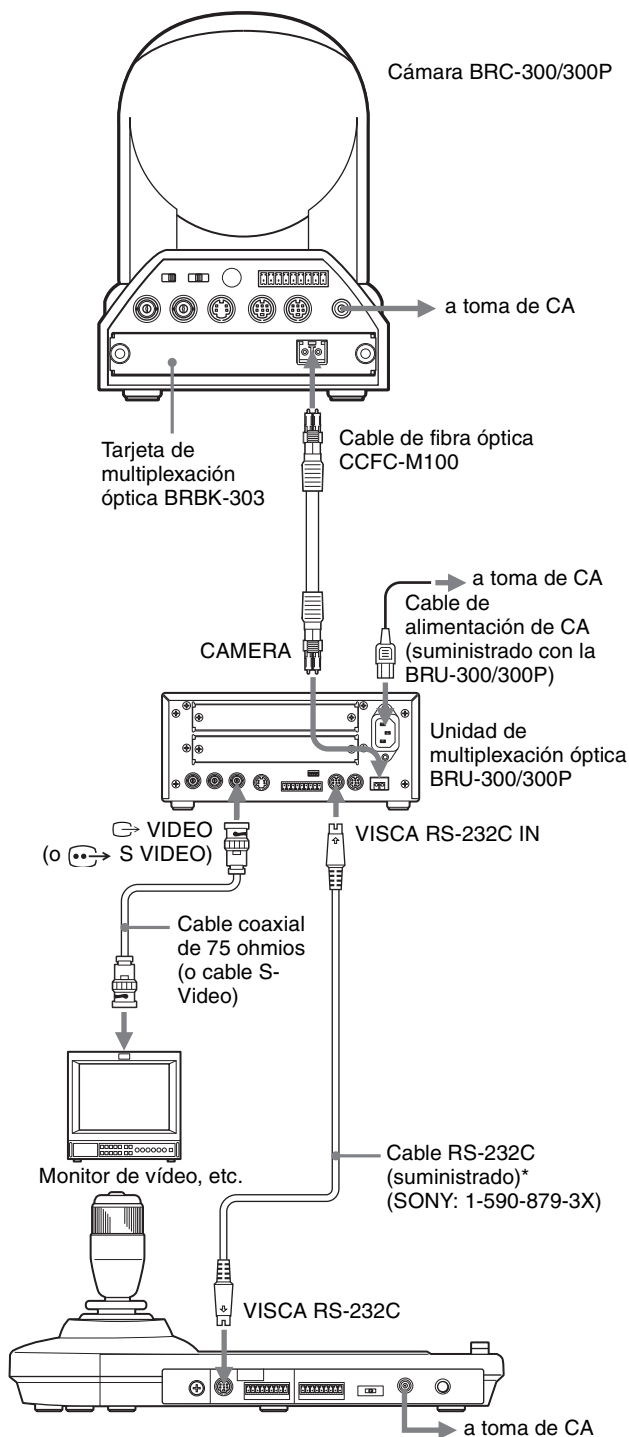
## Notas

- Cuando utilice los conectores VISCA RS-422, compruebe que el interruptor DIP de la parte inferior de esta unidad (página 8) esté ajustado a RS-422.
- Cuando se realicen las conexiones mediante los conectores VISCA RS-422, la conexión VISCA RS-232C no estará disponible.



## Conexión de la unidad de multiplexación óptica BRU-300/300P

Usted podrá controlar la cámara utilizando esta unidad a través de la unidad de multiplexación óptica BRU-300/300P (no suministrada).



\* También dispone de la conexión VISCA RS-422 si utiliza los conectores VISCA RS-422.

Para controlar la cámara BRC-H700/H700P, puede utilizar la unidad óptica múltiplex BRU-H700/H700P. Para ver información detallada sobre la conexión, consulte el manual instrucciones que se suministran con la BRC-H700/H700P.

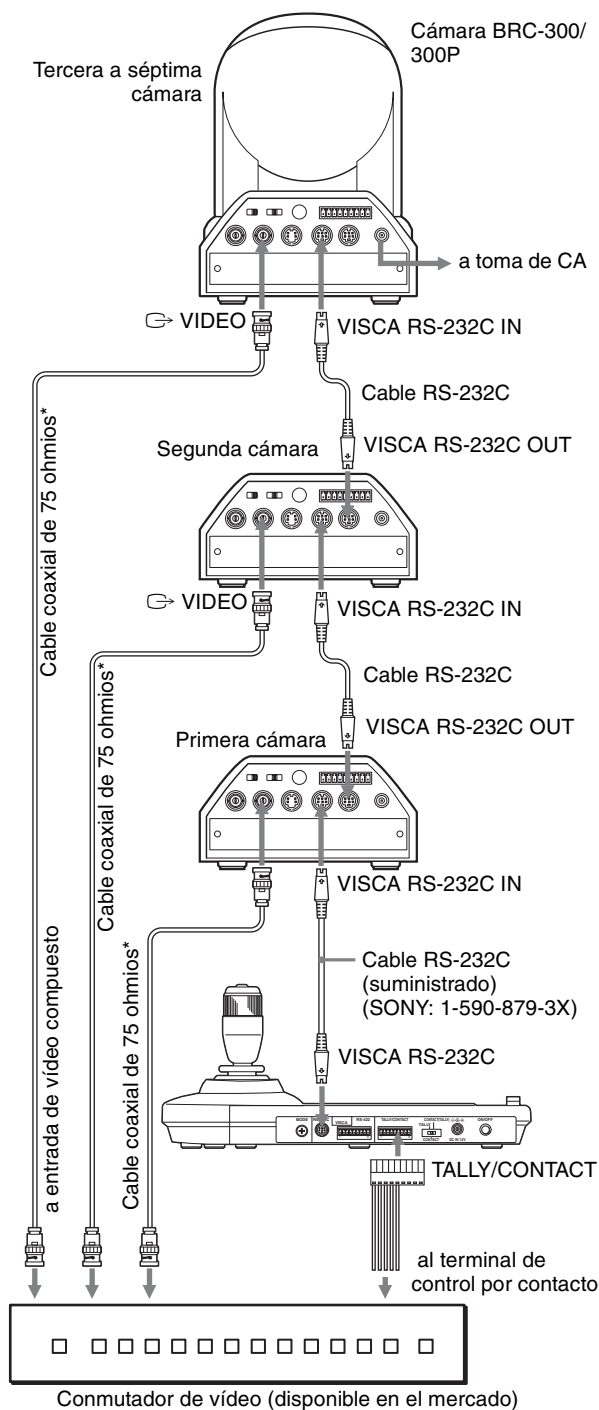
### Nota

Cuando utilice los conectores VISCA RS-232C o los conectores VISCA RS-422, compruebe que el interruptor VISCA FUNCTION de la parte trasera de la unidad de multiplexación óptica y el interruptor DIP de la parte inferior de esta unidad (página 8) estén ajustados a RS-232C o RS-422 correctamente.



## Conexión de un conmutador de vídeo

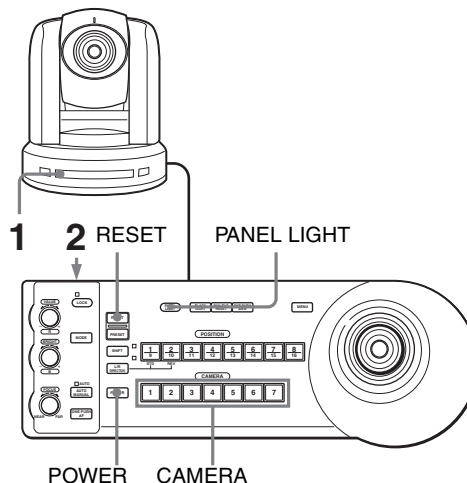
Utilice un conmutador de vídeo de tipo de control por contacto disponible en el comercio para cambiar entre las múltiples señales de cámara que quiera sacar.



\* También puede utilizar un cable de conexión S-Video para conectar el conector (S VIDEO) de la cámara y el conector de la entrada S-Video del conmutador de vídeo.

Para la conexión con un conmutador de vídeo, consulte el manual de instrucciones del conmutador.

## Encendido de la alimentación



- 1 Conecte la cámara a la toma de CA. Se conectará la alimentación de la cámara y se iluminará el indicador POWER. La cámara realizará automáticamente el movimiento horizontal y vertical y se repondrá en la posición almacenada en POSITION 1 (acción de reposición de movimiento horizontal/vertical).
- 2 Pulse el interruptor ON/OFF de esta unidad para encenderla. Se encenderá el botón CAMERA que represente a la cámara cuya alimentación fue desactivada la última de todas. (El botón CAMERA 1 se encenderá por omisión.)
- 3 Encienda los dispositivos periféricos.

### Notas

- Asegúrese de conectar la alimentación de la cámara antes de la alimentación de esta unidad. De lo contrario, la unidad no podrá reconocer la cámara conectada.
- No toque la palanca de control cuando esté conectando la alimentación de la unidad. El hacerlo podrá afectar a la confirmación del origen.

### Para encender/apagar la cámara utilizando esta unidad

Mientras la cámara esté conectada a la toma de CA, usted podrá encenderla o apagarla con el botón POWER de esta unidad.

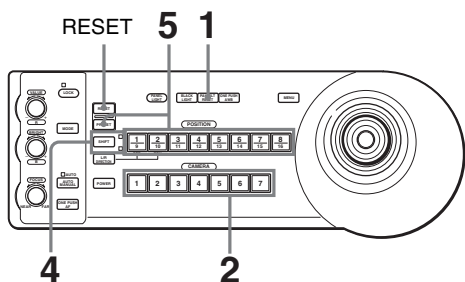
A la vez que mantiene pulsado el botón POWER, pulse el botón CAMERA correspondiente a la cámara que desea encender/apagar.

Cuando desconecte la alimentación utilizando esta unidad, se apagará el indicador POWER y se encenderá el indicador STANDBY de la cámara.

# Almacenamiento de los ajustes de la cámara en la memoria

## – Función de preajuste

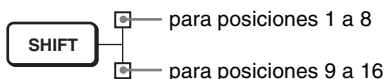
En la memoria de la cámara se pueden almacenar hasta dieciséis combinaciones de ajustes (dieciséis posiciones), incluyendo la posición de la cámara, zoom, enfoque, e iluminación de fondo utilizando esta unidad.



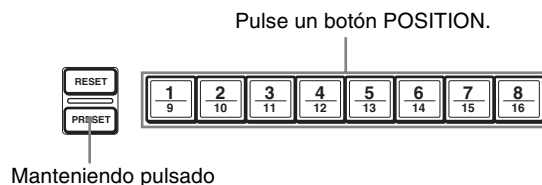
- 1** Pulse el botón PAN-TILT RESET para reponer la posición de movimiento horizontal/vertical.
- 2** Pulse el botón CAMERA para seleccionar la cámara cuyas configuraciones desea preajustar.
- 3** Ajuste los valores de posición, zoom, enfoque e iluminación de fondo de la cámara.
- 4** Pulse el botón SHIFT durante más de un segundo para seleccionar la función de los botones POSITION 1 a 8, si es necesario. (excepto la BRC-H700/H700P)

Para almacenar en las posiciones 1 a 8, pulse el botón SHIFT para que se encienda el indicador superior. Los botones 1 a 8 de POSITION pueden utilizarse para las posiciones 1 a 8.

Para almacenar en las posiciones 9 a 16, pulse el botón SHIFT para que se encienda el indicador inferior. Los botones 1 a 8 de POSITION pueden utilizarse para las posiciones 9 a 16.



- 5** A la vez que mantiene pulsado el botón PRESET, pulse cualquiera de los botones POSITION, de 1 a 8, donde desee almacenar los ajustes. (excepto la BRC-H700/H700P)



Los ajustes se almacenan en la memoria de la cámara.

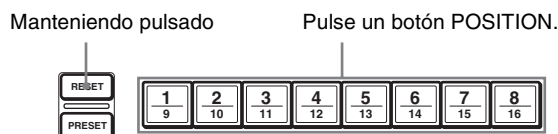
El botón pulsado parpadeará durante el almacenamiento. El parpadeo cesará cuando se haya completado el almacenamiento.

### Para reactivar los ajustes almacenados

Seleccione la función de los botones POSITION 1 a 8 pulsando el botón SHIFT durante más de un segundo, si es necesario. Pulse cualquiera de los botones POSITION, de 1 a 8, donde haya almacenado los ajustes.

### Para cancelar la memoria preajustada

Seleccione la función de los botones POSITION 1 a 8 mediante el botón SHIFT, si es necesario. A la vez que mantiene pulsado el botón RESET, pulse el botón POSITION desde el cual desee cancelar los ajustes.



El botón pulsado parpadeará durante la cancelación de los ajustes. El parpadeo cesará cuando los ajustes hayan sido cancelados.

### Notas

- Al encenderse la alimentación, la cámara empieza con los ajustes almacenados en POSITION 1.
- Si desea conservar las anteriores posiciones de movimiento horizontal y vertical al apagar y reencender el equipo, almacene estas posiciones en POSITION 1.
- Cuando almacene o cancele los ajustes en una POSITION, no puede activar, almacenar o cancelar los ajustes en otra POSITION.

## Para seleccionar las posiciones 9 a 16 para la BRCH700/H700P

Mantenga pulsado el botón SHIFT y pulse el botón PRESET (para almacenar o recuperar la configuración) o el botón RESET (para cancelar la configuración). El indicador inferior se iluminará, y podrá utilizar los botones POSITION 1 a 8 para las posiciones 9 a 16. Cuando suelte el botón SHIFT, el indicador superior se iluminará, y podrá utilizar los botones POSITION 1 a 8 para las posiciones 1 a 8. Para la BRC-H700/H700P, no es necesario pulsar el botón SHIFT durante más de un segundo para cambiar previamente el estado del indicador.

## Ajuste de la velocidad del movimiento de la cámara a una posición predeterminada (BRC-300/300P y BRC-H700/H700P solamente)

Usted podrá seleccionar la velocidad de movimiento horizontal y vertical cuando la cámara se mueva a una posición predeterminada.

- 1** Pulse el botón CAMERA para seleccionar la cámara cuya velocidad quiera ajustar.
- 2** Pulse el botón POSITION para el que quiera ajustar la velocidad durante más de un segundo. Parpadearán todos los botones CAMERA, 1 a 7.
- 3** Pulse uno de los botones CAMERA para seleccionar la velocidad.

Botón CAMERA	Velocidad de movimiento horizontal y vertical
1	1 grado/segundo
2	2,2 grados/segundo
3	4,8 grados/segundo
4	11 grados/segundo
5	23,3 grados/segundo
6	43 grados/segundo
7	60 grados/segundo (por omisión)

Ahora la cámara se moverá a la posición predeterminada en el botón POSITION pulsado a la velocidad seleccionada.

## Para establecer la velocidad de la cámara pasando a una posición preestablecida para la BRC-H700/H700P

Para establecer la velocidad de la cámara pasando a una posición preestablecida entre 9 y 16, mantenga pulsado el botón SHIFT y pulse el botón POSITION correspondiente.

## Solución de problemas

Antes de traer su unidad para repararla, compruebe lo siguiente a modo de guía para solucionar el problema. Si el problema no se puede solucionar, consulte con un concesionario Sony.

Síntoma	Causa	Solución
La alimentación de la unidad no está activada.	El adaptador de alimentación de CA no está firmemente conectado a la toma DC IN 12V.	Inserte el cable de alimentación firmemente y hasta el fondo.
	El cable de alimentación de CA no está insertado firmemente en el adaptador de alimentación de CA o a la toma de CA.	Inserte el cable de alimentación firmemente y hasta el fondo.
La cámara no se puede operar con la unidad.	La conexión mediante los conectores VISCA RS-422 no se ha realizado correctamente.	Compruebe que la conexión a los conectores VISCA RS-422 se ha realizado correctamente y que el cable RS-422 está correctamente conectado.
	El ajuste de control VISCA no es correcto.	Seleccione el ajuste apropiado (RS-232C o RS-422) con el interruptor DIP de la unidad (page 8).
	El ajuste de velocidad de transferencia de comunicación de la cámara y de la unidad varía.	Seleccione la velocidad de transferencia de comunicación, 9.600 bps o 38.400 bps, con el interruptor DIP de la unidad (page 8) que esté seleccionada en la cámara.
La unidad no se puede operar en absoluto.	—	Desenchufe el cable de alimentación de la toma de CA y vuelva a enchufarlo transcurridos unos segundos.

# Especificaciones

## Conectores de entrada/salida

Entrada/salida de control

VISCA RS-232C OUT: Tipo Mini DIN  
de 8 terminales

VISCA RS-422: Tipo 9 terminales

TALLY IN/CONTACT OUT: Tipo  
9 terminales

Formato de señal de control

9600 bps/38400 bps

Datos: 8 bits

Bit de parada: 1

Conector de alimentación

JEITA tipo 4 (DC IN 12V)

## Generalidades

Tensión de entrada

12 V CC (10,8 a 13,2 V CC)

Consumo de corriente

0,2 A máx. (a 12 V CC), 2,4 W

Temperatura de funcionamiento

0°C a +40°C (32°F a 104°F)

Temperatura de almacenamiento

-20°C a +60°C (-4°F a 140°F)

Dimensiones 391,3 × 185 × 145,9 mm (ancho/alto/  
fondo)

(15 1/2 × 7 3/8 × 5 3/4 pulgadas)

Peso

Aprox. 950 g (2 lb 15 oz)

## Accesorios suministrados

Adaptador de alimentación de CA MPA-AC1 (Sony) (1)

Cable de alimentación de CA (1)

Cable de conexión RS-232C (1)

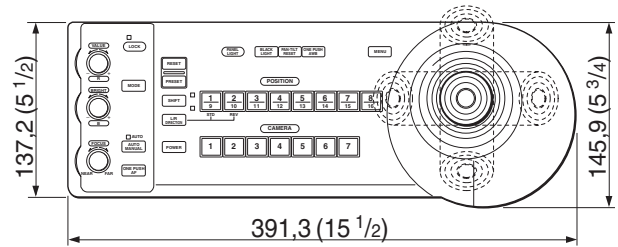
Clavija de conexión RS-422 (2)

Manual de instrucciones (1)

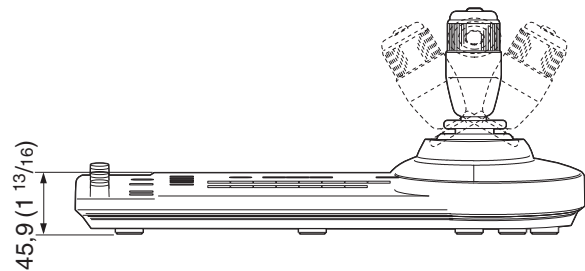
El diseño y las especificaciones pueden modificarse sin  
previo aviso.

# Dimensiones

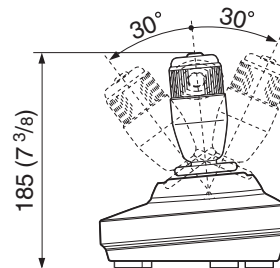
## Superior



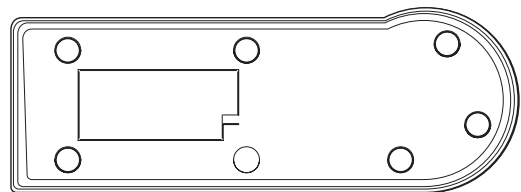
## Parte delantera



## Lateral



## Parte inferior



Unidad de medida: mm (pulgadas)

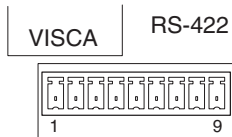
## Asignaciones de terminales

### Conector de salida VISCA RS-232C (mini-DIN de 8 terminales, hembra)



Número de terminal	Función
1	Sin conexión
2	Sin conexión
3	TXD IN
4	GND
5	RXD IN
6	GND
7	Sin conexión
8	Sin conexión

### Conector VISCA RS-422 (clavija de conector, 9 terminales)



Número de terminal	Función
1	Sin conexión
2	Sin conexión
3	Sin conexión
4	Sin conexión
5	GND
6	RXD IN-
7	RXD IN+
8	TXD IN-
9	TXD IN+

### Conector TALLY/CONTACT (clavija de conector, 9 terminales)

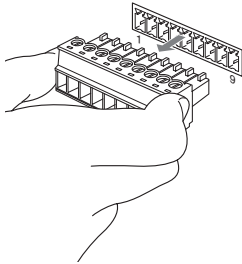
TALLY/CONTACT



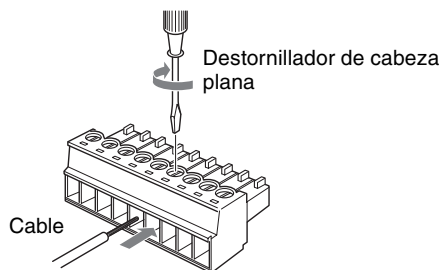
Número de terminal	Función
1	CAMERA1
2	CAMERA2
3	CAMERA3
4	CAMERA4
5	CAMERA5
6	CAMERA6
7	CAMERA7
8	GND
9	GND

## Uso de la clavija de conector VISCA RS-422

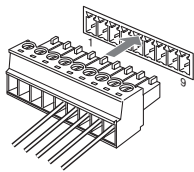
- 1 Sujete ambos extremos de la clavija de conector VISCA RS-422 y tire de ella como se muestra en la ilustración.



- 2 Inserte un cable (Números AWG 28 a 18) en la abertura de cable deseada de la clavija, y apriete el tornillo de ese cable utilizando un destornillador de cabeza plana.



- 3 Inserte la clavija de conector VISCA RS-422 en el conector VISCA RS-422.



### Notas

- Para estabilizar el nivel de tensión de la señal, conecte ambos extremos a GND.
- Cuando se realicen las conexiones mediante los conectores VISCA RS-422, el conector VISCA RS-232C no estará disponible.
- La distancia máxima de conexión con el conector VISCA RS-422 es aproximadamente de 1.200 m (3.937 pies).

## **WARNUNG**

**Um die Gefahr von Bränden oder elektrischen Schlägen zu verringern, darf dieses Produkt nicht Regen oder Feuchtigkeit ausgesetzt werden.**

**Um einen elektrischen Schlag zu vermeiden, darf das Gehäuse nicht geöffnet werden. Überlassen Sie Wartungsarbeiten nur qualifiziertem Fachpersonal.**

## **WARNUNG**

Verwenden Sie das mit diesem Gerät gelieferte Netzgerät Sony MPA-AC1 als Stromquelle. Andere Stromquellen können Gefahren, wie z.B. einen Brand, verursachen.

Um dieses Gerät vom Stromnetz zu trennen, muss der Netzstecker des Netzgeräts abgezogen werden.

Der Netzstecker dieses Geräts muss zur Trennung von der Netzstromquelle verwendet werden.

Bitte stellen Sie sicher, dass eine Netzsteckdose in der Nähe des Geräts installiert und leicht zugänglich ist.

Ziehen Sie im Falle eines anormalen Betriebs den Netzstecker ab.

## **WICHTIG**

Das Typenschild befindet sich an der Unterseite.

## **ACHTUNG**

Das bei bestimmten Frequenzen abgegebene elektromagnetische Feld kann das Bild dieses Geräts beeinflussen.



---

# Inhaltsverzeichnis

---

## Überblick

<b>Merkmale</b> .....	4
<b>Vorsichtsmaßnahmen</b> .....	4
<b>Lage und Funktion der Teile</b> .....	5
Verfügbare Funktionen für Sony	
VISCA-Kameras .....	8

---

## Anschlüsse und Bedienung

<b>Anschlüsse</b> .....	9
Anschluss einer Kamera mit	
VISCA RS-232C-Buchse .....	9
Anschluss einer Kamera mit	
VISCA RS-422-Buchse .....	10
Anschluss mehrerer Kameras mit	
VISCA RS-232C-Buchse .....	10
Anschluss mehrerer Kameras mit	
VISCA RS-422-Buchse .....	11
Anschluss der Optischen Multiplexeinheit	
BRU-300/300P .....	12
Anschluss eines Videomischers .....	13
<b>Einschalten</b> .....	13
<b>Speichern der Kameraeinstellungen</b>	
– <b>Vorwahlfunktion</b> .....	14
Einstellen der Bewegungsgeschwindigkeit der	
Kamera zu einer Vorwahlposition (nur BRC-300/	
300P und BRC-H700/H700P) .....	15

---

## Anhang

<b>Fehlerbehebung</b> .....	16
<b>Technische Daten</b> .....	17
Abmessungen .....	17
Stiftbelegung .....	18
Verwendung des VISCA RS-422-	
Anschlusssteckers .....	19

# Merkmale

**Der optische Dreiachsen-Joystick ermöglicht bequeme Schwenk-/Neige-/Zoomoperationen.**

## Bequeme Bedienung vielseitiger Kameraeinstellungen

Mit Hilfe der Tasten dieses Geräts können Sie verschiedene Kameraeinstellungen, wie z.B. Autofokus, Tastendruck-Autofokus, automatische Belichtungseinstellung, Tastendruck-Weißabgleich und Gegenlichtkompensation, durchführen.

## Die VISCA RS-232C/RS-422-Kommunikations-Schnittstellen ermöglichen schnelle Kommunikation über große Entfernungen.

Das Gerät ist in der Lage, bis zu sieben Kameras in einer Geräteketten zu steuern.

## Ein Kamerakontrolllampen-Eingang/Kontakt-Ausgang (9-poliger Anschlussstecker) gestattet den Anschluss eines Videomischers.

## Vorwahlfunktion zur Speicherung von Kameraeinstellungen

Das Gerät ermöglicht die Speicherung von bis zu 16 Kameraeinstellungs-Kombinationen\*, wie z.B. Schwenk-/Neige-/Zoompositionen und andere Kameraeinstellwerte, in der Kamera.

\* Die Anzahl der speicherbaren Positionen hängt von der angeschlossenen Kamera ab. (Für die 3-CCD-Farbvideokamera BRC-300/300P können 6 Positionen gespeichert werden.)

## Steuerebare Sony VISCA-Kameras

Das Gerät kann die folgenden Kameras steuern:

- BRC-300/300P 3CCD Color Video Camera
- BRC-H700/H700P HD 3CCD Color Video Camera
- EVI-D100/D100P Color Video Camera
- EVI-D70/D70P Color Video Camera
- EVI-D30/D30P Color Video Camera
- SNC-RZ30N/RZ30P Network Camera

## Hinweise

- Die nutzbaren Funktionen hängen von der Ausstattung der Kamera ab.
- Diese Anleitung erläutert hauptsächlich die Funktionen der Einheit für die Kamera BRC-300/300P.

Wenn eine andere Kamera angeschlossen wird, schlagen Sie bezüglich der verfügbaren Funktionen in der Bedienungsanleitung der angeschlossenen Kamera nach.

# Vorsichtsmaßnahmen

## Betriebs- oder Lagerungsort

Betrieb oder Lagerung des Geräts an folgenden Orten kann eine Beschädigung des Geräts verursachen:

- Extrem heiße oder kalte Orte (Betriebstemperatur: 0 °C bis +40 °C)
- Orte, die längere Zeit direktem Sonnenlicht ausgesetzt sind, oder in der Nähe einer Wärmequelle (z.B. Heizkörper)
- Orte in der Nähe starker Magnetfelder
- Orte in der Nähe von Quellen starker elektromagnetischer Strahlung, z.B. Radio- oder Fernsehsender
- Orte, die starken Vibrationen oder Erschütterungen ausgesetzt sind

## Ventilation

Um einen Wärmestau zu verhüten, darf die Luftzirkulation um das Gerät nicht blockiert werden.

## Transport

Wenn Sie das Gerät transportieren wollen, verpacken Sie es wieder in der Original-Werksverpackung oder in Verpackungsmaterial der gleichen Qualität.

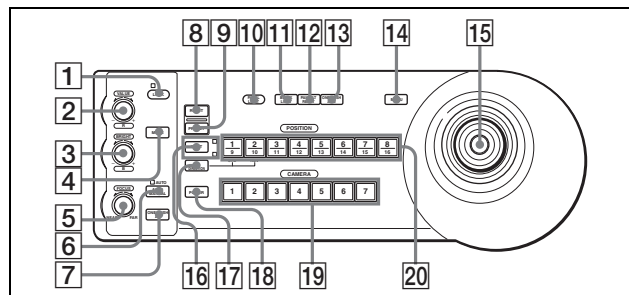
## Reinigung

- Verwenden Sie ein weiches, trockenes Tuch zum Reinigen der Außenflächen des Geräts. Entfernen Sie hartnäckigen Schmutz, indem Sie ein weiches Tuch mit etwas Reinigungslösung anfeuchten und anschließend trocken wischen.
- Verwenden Sie keine leichtflüchtigen Lösungsmittel, wie z.B. Alkohol, Benzin oder Verdünner, weil diese die Lackschicht angreifen können.

# Lage und Funktion der Teile

Diese Anleitung befasst sich mit den Bedienungsvorgängen des Modells RM-BR300 bei Verwendung mit der Kamera BRC-300/300P oder BRC-H700/H700P.

## Vorderseite



**1 Taste und Anzeige LOCK**  
 Wird die Taste LOCK länger als eine Sekunde gedrückt, leuchtet die Lampe LOCK auf, und die mit den Reglern VALUE/R, BRIGHT/B und FOCUS eingestellten Werte werden verriegelt. (Die Anzeigen der gesperrten Regler werden ausgeschaltet.)

Die Taste AUTO/MANUAL wird ebenfalls deaktiviert. Drücken Sie die Taste LOCK erneut länger als eine Sekunde, um die Regler und Tasten wieder zu aktivieren.

**2 Regler VALUE/R**  
**Wenn der Helligkeitseinstellmodus mit der Taste MODE gewählt wird (bei leuchtender Anzeige VALUE):**

Dieser Regler dient zum Einstellen des Werts für den an der Kamera gewählten Posten (SHUTTER oder IRIS).

Wenn die Anzeige VALUE leuchtet, hängt die Funktion des Reglers von dem an der Kamera gewählten Belichtungsmodus ab. Einzelheiten unter „Funktionen der Regler VALUE und BRIGHT“ auf Seite 5.

**Wenn der Weißabgleichestellmodus mit der Taste MODE gewählt wird (bei leuchtender Anzeige R):**

Dieser Regler dient zum Einstellen des Werts für R. GAIN (Rotverstärkung) (außer EVI-D30/D30P).

Wenn die Kamera BRC-H700/H700P angeschlossen ist, hängt die Funktion des Reglers bei leuchtender Anzeige R von dem an der Kamera gewählten Weißabgleichmodus ab. Einzelheiten unter „Funktionen der Regler R und B für die Kamera BRC-H700/H700P“ auf Seite 5.

**3 Regler BRIGHT/B**  
**Wenn der Helligkeitseinstellmodus mit der Taste MODE gewählt wird (bei leuchtender Anzeige BRIGHT):**

Dieser Regler dient zum Einstellen des Helligkeitswerts der Kamera usw.

Wenn die Anzeige BRIGHT leuchtet, hängt die Funktion des Reglers von dem an der Kamera gewählten Belichtungsmodus ab. Einzelheiten unter „Funktionen der Regler VALUE und BRIGHT“ auf Seite 5.

**Wenn der Weißabgleichestellmodus mit der Taste MODE gewählt wird (bei leuchtender Anzeige B):**

Dieser Regler dient zum Einstellen des Werts für B. GAIN (Blauverstärkung) (außer EVI-D30/D30P).

Wenn die Kamera BRC-H700/H700P angeschlossen ist, hängt die Funktion des Reglers bei leuchtender Anzeige B von dem an der Kamera gewählten Weißabgleichmodus ab. Einzelheiten unter „Funktionen der Regler R und B für die Kamera BRC-H700/H700P“ auf Seite 5.

## Funktionen der Regler VALUE und BRIGHT

Die Funktionen der Regler VALUE und BRIGHT hängen von der Belichtungsmodus-Einstellung der Kamera ab, wie folgt:

Belichtungsmodus der Kamera	Funktion des Reglers VALUE	Funktion des Reglers BRIGHT
<b>FULL AUTO</b>	Nicht benutzt	Belichtungskorrekturpegelregler*
<b>SHUTTER Pri</b>	Verschlusszeitregler	Belichtungskorrekturpegelregler*
<b>IRIS Pri</b>	Blendenregler	Belichtungskorrekturpegelregler*
<b>BRIGHT</b>	Nicht benutzt	Helligkeitspegelregler
<b>MANUAL</b>	Verschlusszeitregler	Blendenregler**
<b>GAIN Pri***</b>	Verstärkungsregelung***	Nicht benutzt

\* Wenn die Belichtungskorrekturfunktion an der Kamera aktiviert ist.

\*\* Blenden- und Verstärkungsregelung ist für die Kamera BRC-H700/H700P möglich.

\*\*\* Nur verfügbar für die Kamera BRC-H700/H700P

## Funktionen der Regler R und B für die Kamera BRC-H700/H700P

Wenn der Weißabgleichestellmodus mit der Taste MODE dieser Einheit gewählt wird, ändern sich die Funktionen des Reglers R und B gemäß der Weißabgleichmodus-Einstellung an der Kamera BRC-H700/H700P.

Weißabgleichmodus an der Kamera	Funktion des Reglers R	Funktion des Reglers B
<b>MANUAL</b>	Rotverstärkungsregelung	Blauverstärkungsregelung
<b>AUTO, ONE PUSH</b>	Rot-WB SHIFT-Regelung	Blau-WB SHIFT-Regelung

- 4 Taste MODE**  
Drücken Sie diese Taste, um die Funktion der Regler VALUE/R und BRIGHT/B zu wählen. Wenn der Helligkeitseinstellmodus gewählt wird, leuchten die Anzeigen VALUE und BRIGHT auf. Wenn der Weißabgleichmodus gewählt wird, leuchten die Anzeigen R und B auf.
- 5 Regler FOCUS**  
Dieser Regler ist funktionsfähig, wenn MANUAL mit der Taste AUTO/MANUAL gewählt wird. Drehen Sie den Regler entgegen dem Uhrzeigersinn (Richtung NEAR), um auf ein nahes Objekt zu fokussieren, und im Uhrzeigersinn (Richtung FAR), um auf ein entferntes Objekt zu fokussieren.
- 6 Taste AUTO/MANUAL und Anzeige AUTO**  
Drücken Sie diese Taste, um den Fokussiermodus AUTO oder MANUAL zu wählen. Bei Wahl von AUTO leuchtet die Anzeige AUTO auf, und die Kamera fokussiert automatisch auf das Objekt in der Mitte des Bildschirms. Der Regler FOCUS und die Taste ONE PUSH AF sind deaktiviert. Bei Wahl von MANUAL ist der Regler FOCUS und die Taste ONE PUSH AF aktiviert (bei leuchtender Anzeige FOCUS).
- 7 Taste ONE PUSH AF**  
Diese Taste ist funktionsfähig, wenn MANUAL mit der Taste AUTO/MANUAL gewählt wird. Drücken Sie diese Taste, um die Tastendruck-Autofokusfunktion zu aktivieren (außer EVI-D30/D30P).
- 8 Taste RESET**  
Wenn Sie eine der Tasten POSITION drücken, während Sie diese Taste gedrückt halten, wird der Speicher der Kamera, welcher der gedrückten Taste POSITION entspricht, auf die Werksvorgabe zurückgesetzt. Wenn mehrere Kameras angeschlossen sind, drücken Sie die Taste POWER, während Sie diese Taste gedrückt halten, um die Kameraadressen einzustellen.
- 9 Taste PRESET**  
Wenn Sie eine der Tasten POSITION drücken, während Sie diese Taste gedrückt halten, werden die aktuellen Kameraeinstellungen in dem Speicher

der Kamera, welcher der gedrückten Taste POSITION entspricht, gespeichert.

- 10 Taste PANEL LIGHT**  
Drücken Sie diese Taste, um alle Tasten POSITION und CAMERA zu beleuchten. Drücken Sie die Taste erneut, um die Beleuchtung auszuschalten.
- 11 Taste BACK LIGHT**  
Wenn der Belichtungsmodus FULL AUTO an der Kamera aktiviert ist, drücken Sie diese Taste, um die Gegenlichtkompensationsfunktion der Kamera zu aktivieren. Drücken Sie die Taste erneut, um die Funktion zu deaktivieren.
- Halten Sie im Falle der Kamera BRC-H700/H700P die Taste SHIFT gedrückt, und drücken Sie diese Taste, um die Scheinwerferkompensationsfunktion der Kamera zu aktivieren. Diese Funktion stellt die Belichtung auf eine dunklere Stufe ein, wenn ein Teil des Aufnahmeobjekts beleuchtet ist. Um die Scheinwerferkompensation zu deaktivieren, halten Sie die Taste SHIFT gedrückt, und drücken Sie diese Taste erneut.
- 12 Taste PAN-TILT RESET**  
Drücken Sie diese Taste, um die Schwenk-/Neigeposition der Kamera auf den Ausgangszustand zurückzustellen.
- 13 Taste ONE PUSH AWB**  
Wenn der ONE PUSH-Weißabgleichmodus an der Kamera aktiviert ist, kann durch Drücken dieser Taste der Tastendruck-Weißabgleich durchgeführt werden.
- 14 Taste MENU**  
Drücken Sie diese Taste ungefähr eine Sekunde im Falle der Kamera BRC-300/300P oder BRC-H700/H700P, um das Kameramenü anzuzeigen, zum Hauptmenü zurückzukehren, oder das Menü abzuschalten. Drücken Sie diese Taste ungefähr eine Sekunde bei anderen Kameras, um die Bildschirm-Datenanzeige ein- und auszuschalten.
- 15 Joystick**  
Der Joystick wird für Schwenk-/Neige- und Zoomoperationen verwendet. Wählen Sie die zu steuernde Kamera mit Hilfe der Tasten CAMERA aus, und betätigen Sie den Joystick.
- Schwenken und Neigen**  
Wenn Sie den Joystick nach rechts und links drücken, führt die Kamera einen Schwenk aus. Wenn Sie ihn nach vorne oder hinten drücken, neigt sich die Kamera. Die Schwenk-/Neige geschwindigkeit hängt vom Betätigungswinkel ab. Wenn Sie den Joystick loslassen, stoppt die Kamerabewegung.

### Zoomen

Wenn Sie den Knopf am oberen Ende des Joysticks im Uhrzeigersinn drehen, wird der Bildausschnitt vergrößert (Einzoomen). Wenn Sie ihn entgegen dem Uhrzeigersinn drehen, wird der Bildausschnitt verkleinert (Auszoomen).

### So richten Sie die Kamera wieder geradeaus

Wenn Sie die Taste am oberen Ende des Joysticks bei ein- oder ausgeschaltetem Menü ein bis zwei Sekunden lang drücken, wird die Schwenk-/Neige-/Zoomposition zurückgestellt und die Kamera geradeaus gerichtet.

### 16 Taste und Anzeige SHIFT

Drücken Sie diese Taste länger als eine Sekunde, um die Funktion der Tasten POSITION für die Positionen 1 bis 8 bzw. 9 bis 16 zu wählen. Die obere Anzeige leuchtet bei Wahl der Positionen 1 bis 8, und die untere Anzeige bei Wahl der Positionen 9 bis 16 auf.

Halten Sie bei der Kamera BRC-H700/H700P die Taste SHIFT gedrückt, und drücken Sie eine der Tasten POSITION. Die untere Anzeige leuchtet auf, und die Tasten POSITION können für die Positionen 9 bis 16 benutzt werden. Wenn Sie die Taste SHIFT loslassen, leuchtet die obere Anzeige auf, und die Tasten POSITION können für die Positionen 1 bis 8 benutzt werden.

### 17 Taste L/R DIRECTION

Die Kamera ist so voreingestellt, dass sie sich nach rechts bewegt, wenn der Joystick nach rechts geneigt wird. Drücken Sie die Taste POSITION 2 (REV), während Sie diese Taste gedrückt halten, um die Schwenkrichtung auf die Richtung umzukehren, in der Sie den Joystick drücken. Um die Richtung zurückzustellen, drücken Sie die Taste POSITION 1 (STD), während Sie diese Taste gedrückt halten.

### 18 Taste POWER

Drücken Sie diese Taste, um die Tasten CAMERA, die dem Status der angeschlossenen Kameras entsprechen, zum Aufleuchten zu bringen.

**Blau:** Die Stromversorgung der Kamera ist eingeschaltet.

**Gelbgrün:** Die Kamera befindet sich im Bereitschaftsmodus.

**Aus:** Es ist keine Kamera angeschlossen.

Drücken Sie die Tasten CAMERA 1 bis 7, während Sie diese Taste gedrückt halten, um die Stromversorgung der Kamera, die der gedrückten Taste entspricht, ein- und auszuschalten.

### 19 Tasten CAMERA

Drücken Sie eine der Tasten, um die gewünschte Kamera unter den angeschlossenen Kameras

auszuwählen. Die gedrückte Taste CAMERA leuchtet in Blau auf.

### 20 Tasten POSITION

Sie können verschiedene Kameraeinstellungen, wie z.B. die Schwenk-, Neige- und Zoomposition, in dem Speicher der Kamera ablegen, welcher der jeweiligen Taste POSITION entspricht, und die gespeicherten Einstellungen laden.

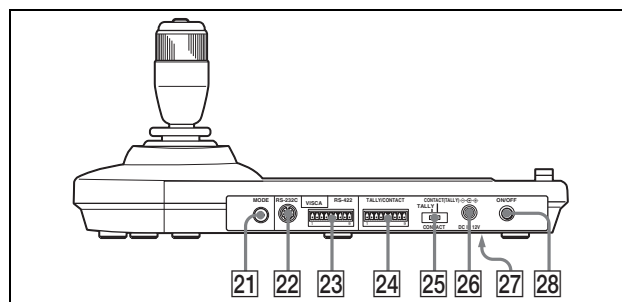
## Funktionen der Tasten POSITION für die Kameras EVI-D100/D100P und EVI-D70/D70P

Wenn eine der Kameras EVI-D100/D100P oder EVI-D70/D70P an diese Einheit angeschlossen wird, erkennt die Einheit automatisch das Kameramodell, und die Funktionen der Positionen 7 bis 16 der Tasten POSITION ändern sich gemäß der nachstehenden Tabelle. Dies gestattet Ihnen die direkte Steuerung der Kamera ohne Anschluss an einen Computer.

Taste POSITION	Funktion
Position 7	Automatische Belichtung – Modus Full Auto
Position 8	Automatische Belichtung – Modus Bright
Position 9	Digitalzoom – EIN
Position 10	Digitalzoom – AUS
Position 11	Automatischer Weißabgleichmodus
Position 12	Manueller Weißabgleichmodus
Position 13	ONE PUSH-Weißabgleichmodus
Position 14	Weißabgleich-Nachregelautomatikmodus (ATW)
Position 15	IR Cut-Removable (ICR) – EIN
Position 16	IR Cut-Removable (ICR) – AUS

Einzelheiten zu jeder Funktion finden Sie im Technik-Handbuch der Kamera.

### Rückseite/Unterseite



### 21 Wahlschalter MODE

Damit wählen Sie die Position, die der anzuschließenden VISCA-steuerbaren Kamera entspricht.

Schalterstellung	Kamera-Modus
0	Automatisch gewählt (Vorgabe)
1	BRC-300/300P
2	EVI-D70/D70P
3	EVI-D100/D100P
4	EVI-D30/D30P
5	SNC-RZ30N/RZ30P
6	BRC-H700/H700P

**Hinweise**

- Verwenden Sie die Positionen 1 bis 4, wenn alle angeschlossenen Kameras vom gleichen Modell sind.
- Verwenden Sie Position 5 für das Modell SNC-RZ30N/RZ30P.

**22 Buchse VISCA RS-232C**

Verbinden Sie diese Buchse mit der Buchse VISCA RS-232C IN der Kamera oder der Optischen Multiplexeinheit.

**23 Buchse VISCA RS-422**

Verbinden Sie diese Buchse mit der Buchse VISCA RS-422 der Kamera oder der Optischen Multiplexeinheit.

Ein RS-422-Anschlussstecker wurde werksseitig angebracht.

**24 Buchse TALLY/CONTACT**

Diese Buchse wird als Kamerakontrolllampen-Eingang oder Kontakt-Ausgang verwendet. Wählen Sie die Funktion der Buchse mit dem Wahlschalter TALLY/CONTACT.

Ein RS-422-Anschlussstecker wurde werksseitig angebracht.

**25 Wahlschalter TALLY/CONTACT**

Damit wählen Sie die Funktion der Buchse TALLY/CONTACT.

**TALLY:** Die Kamerakontrolllampe der mit dem angeschlossenen Mischer gewählten Kamera leuchtet auf.

**CONTACT:** Der Kontakt-Ausgang, welcher der mit dieser Fernbedienungseinheit gewählten Kameraadresse entspricht, wird gegen den angeschlossenen Mischer kurzgeschlossen.

**CONTACT (TALLY):** Der Kontakt-Ausgang, welcher der mit dieser Fernbedienungseinheit gewählten Kameraadresse entspricht, wird gegen den angeschlossenen Mischer kurzgeschlossen, und die Kamerakontrolllampe der mit dem angeschlossenen Mischer gewählten Kamera leuchtet auf.

**26 Buchse DC IN 12V**

Dient zum Anschluss des mitgelieferten Netzgeräts.

**27 DIP-Schalter (Unterseite)**

**Schalter 1 (RS-232C/RS-422-Wahlschalter)**

Stellen Sie diesen Schalter für RS-422 auf ON bzw. für RS-232C auf OFF.

**Schalter 2 (Übertragungs-Baudraten-Wahlschalter)**

Stellen Sie diesen Schalter für 38.400 bps auf ON bzw. für 9.600 bps auf OFF.

**28 Schalter ON/OFF**

Drücken Sie diesen Schalter, um das Gerät ein- und auszuschalten.

**Hinweis**

Stellen Sie die Schalter ein, bevor Sie dieses Gerät einschalten. Anderenfalls ist die Einstellung nicht wirksam.

## Verfügbare Funktionen für Sony VISCA-Kameras

Die Funktionen der Regler, Tasten und Buchsen in der folgenden Liste hängen vom angeschlossenen Kameramodell ab. Die Funktionen der übrigen Teile sind für alle Kameramodelle gleich.

Teile	BRC-300/ 300P, BRC- H700/H700P	EVI-D100/ D100P	EVI-D70/ D70P	EVI-D30/ D30P	SNC-RZ30N/ RZ30P
<b>2</b> Regler VALUE/R	○	○	○	×	○
<b>3</b> Regler BRIGHT/B	○	○	○	×	○
<b>7</b> Taste ONE PUSH AF	○	○	○	×	○
<b>12</b> Taste PAN-TILT RESET	○	○	○	○	×
<b>14</b> Taste MENU	○	○	○	○	×
<b>18</b> Taste POWER	○	○	○	○	×
<b>19</b> Tasten CAMERA	○	○	○	○	×
<b>23</b> Buchse VISCA RS-422	○	×	○	×	×

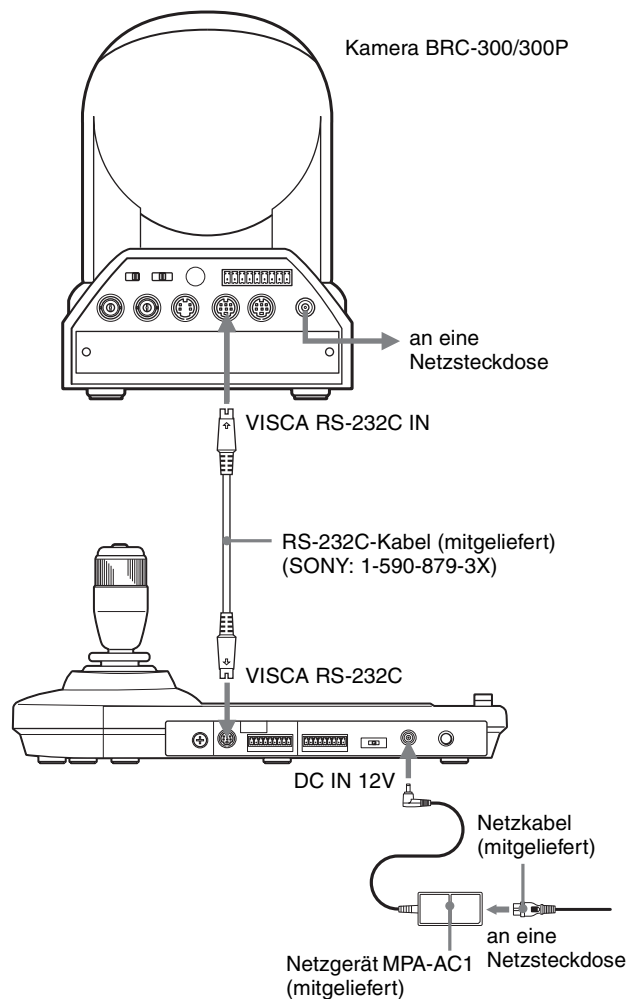
○: verfügbar, ×: nicht verfügbar

## Anschlüsse

Dieser Abschnitt befasst sich mit den Anschlussbeispielen für die Kamera BRC-300/300P. Informationen zum Anschluss anderer Kameras entnehmen Sie bitte der Bedienungsanleitung der anzuschließenden Kamera.

### Anschluss einer Kamera mit VISCA RS-232C-Buchse

- 1 Schließen Sie dieses Gerät über das mitgelieferte RS-232C-Verbindungskabel an die Kamera an.
- 2 Schließen Sie dieses Gerät über das mitgelieferte Netzgerät und das Netzkabel an eine Netzsteckdose an.



### Hinweis

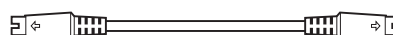
Wenn Sie die VISCA RS-232C-Buchsen verwenden wollen, vergewissern Sie sich, dass der DIP-Schalter an der Unterseite dieses Geräts (Seite 8) auf RS-232C eingestellt ist.

### Verbindungskabel

Verwenden Sie das folgende Verbindungskabel zum Anschluss von Geräten in diesem System.

Kabel	Teile-Nr.	Anzahl
RS-232C-Kabel (3 m)	1-590-879-3X	1

### RS-232C-Kabel



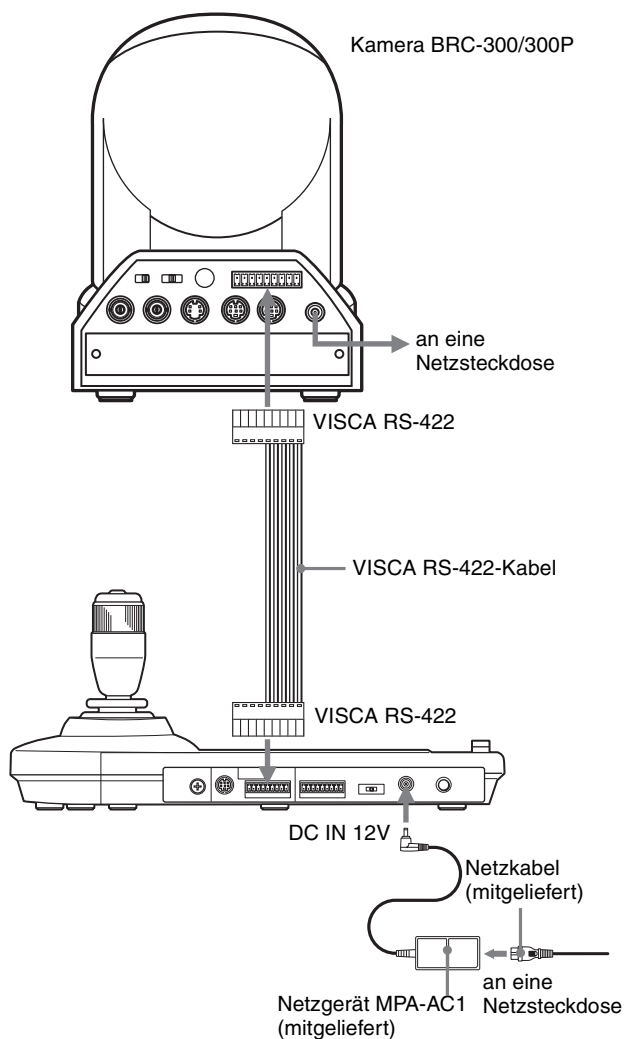
## Anschluss einer Kamera mit VISCA RS-422-Buchse

Anstelle der VISCA RS-232C-Buchsen können Sie auch die VISCA RS-422-Buchsen verwenden, um die Fernbedienungseinheit mit der Kamera zu verbinden. Die VISCA RS-422-Buchsen gestatten eine Verbindung bis zu einer Entfernung von 1.200 m.

Stecken Sie die mit diesem Gerät gelieferten RS-422-Anschlussstecker auf das Verbindungskabel.

Nehmen Sie zur Anfertigung des Kabels auf die Stiftbelegung der VISCA RS-422-Buchse Bezug (Seite 18).

Angaben zum Gebrauch der RS-422-Anschlussstecker finden Sie auf Seite 19.

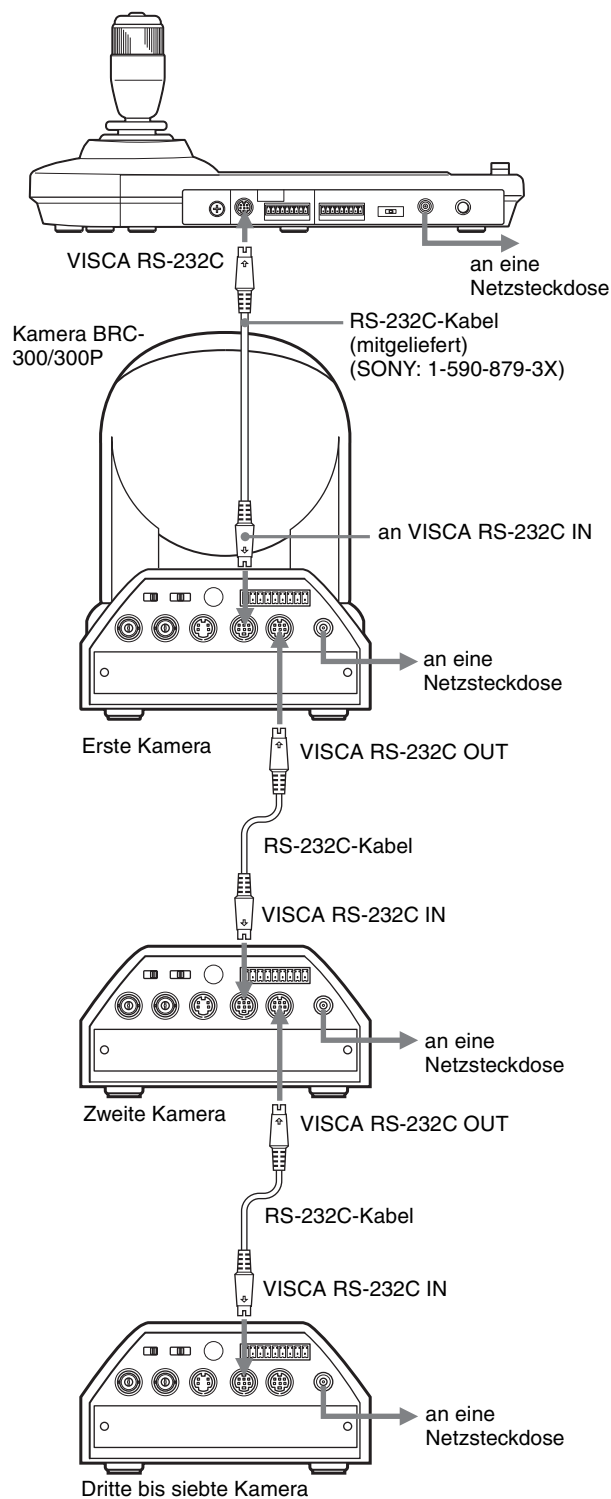


### Hinweise

- Wenn Sie die VISCA RS-422-Buchsen verwenden wollen, vergewissern Sie sich, dass der DIP-Schalter an der Unterseite dieses Geräts (Seite 8) auf RS-422 eingestellt ist.
- Wenn die Verbindung über die VISCA RS-422-Buchsen hergestellt wird, ist die VISCA RS-232C-Verbindung nicht verfügbar.

## Anschluss mehrerer Kameras mit VISCA RS-232C-Buchse

Verbindungen mit den VISCA RS-232C-Kabeln (Kreuzkabel) ermöglichen die Steuerung von bis zu sieben Kameras mit einer einzigen Fernbedienungseinheit RM-BR300.





**Hinweis**

Wenn Sie die VISCA RS-232C-Buchsen verwenden wollen, vergewissern Sie sich, dass der DIP-Schalter an der Unterseite dieses Geräts (Seite 8) auf RS-232C eingestellt ist.

**So weisen Sie die Kameraadressen zu**

Bevor Sie mit der Bedienung beginnen können, müssen Sie die Kameraadressen den angeschlossenen Kameras zuweisen. Dann können Sie durch einfaches Drücken der entsprechenden Taste CAMERA die zu bedienende Kamera anwählen.

- 1** Schalten Sie alle angeschlossenen Kameras und dieses Gerät ein.
- 2** Drücken Sie die Taste POWER an diesem Gerät, während Sie die Taste RESET gedrückt halten. Das Gerät erkennt die angeschlossenen Kameras und weist ihnen automatisch die Kameraadressen 1 bis 7 in der angeschlossenen Reihenfolge zu.
- 3** Drücken Sie die Taste POWER an diesem Gerät, und vergewissern Sie sich, dass die Tasten CAMERA aufleuchten. Anhand der Anzahl der leuchtenden Tasten CAMERA kann festgestellt werden, wie vielen Kameras Adressen zugewiesen worden sind. Nun können Sie durch Drücken der entsprechenden Taste CAMERA auf die zu steuernde Kamera umschalten.

**Anschluss mehrerer Kameras mit VISCA RS-422-Buchse**

Der Anschluss über die VISCA RS-422-Buchsen ermöglicht die Steuerung mehrerer Kameras. Dabei kann das Verbindungskabel bis zu 1.200 m lang sein.

Stecken Sie die mit diesem Gerät gelieferten RS-422-Anschlussstecker auf das Verbindungskabel.

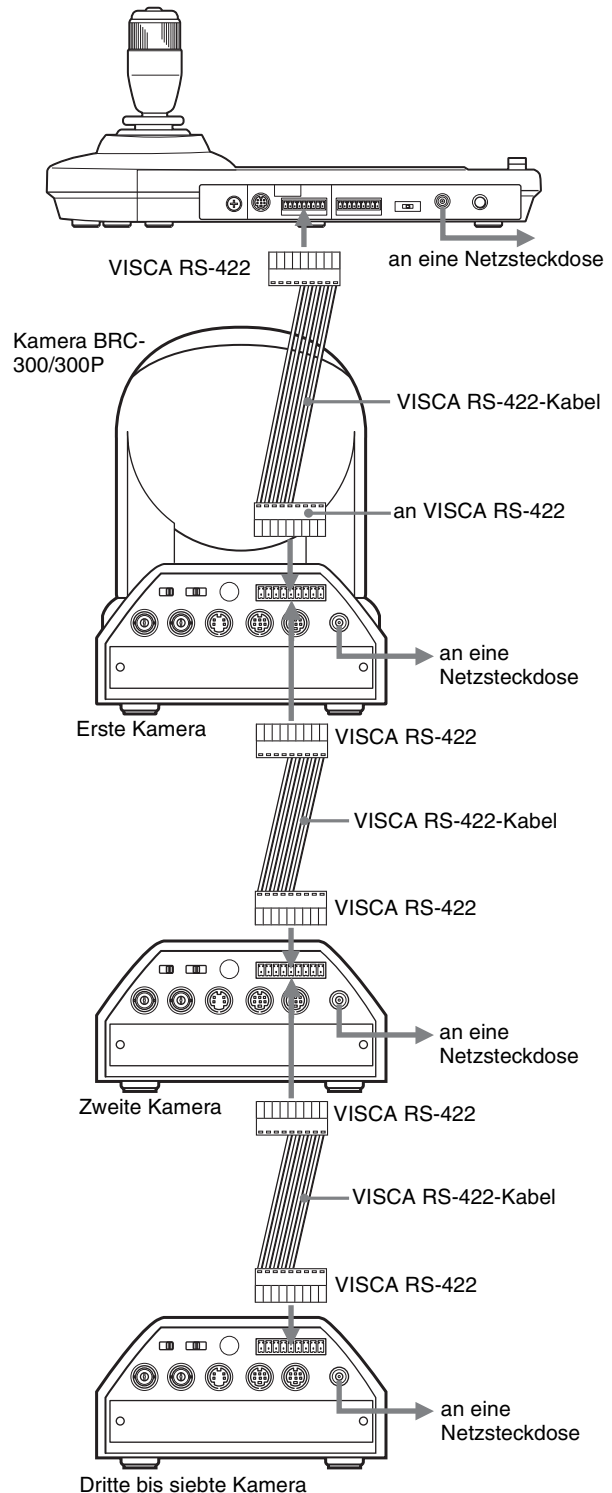
Nehmen Sie zur Anfertigung des Kabels auf die Stiftbelegung der VISCA RS-422-Buchse Bezug (Seite 18).

Angaben zum Gebrauch der RS-422-Anschlussstecker finden Sie auf Seite 19.

Der Stromlaufplan der VISCA RS-422-Verbindung ist in der Bedienungsanleitung der Kamera BRC-300/300P enthalten.

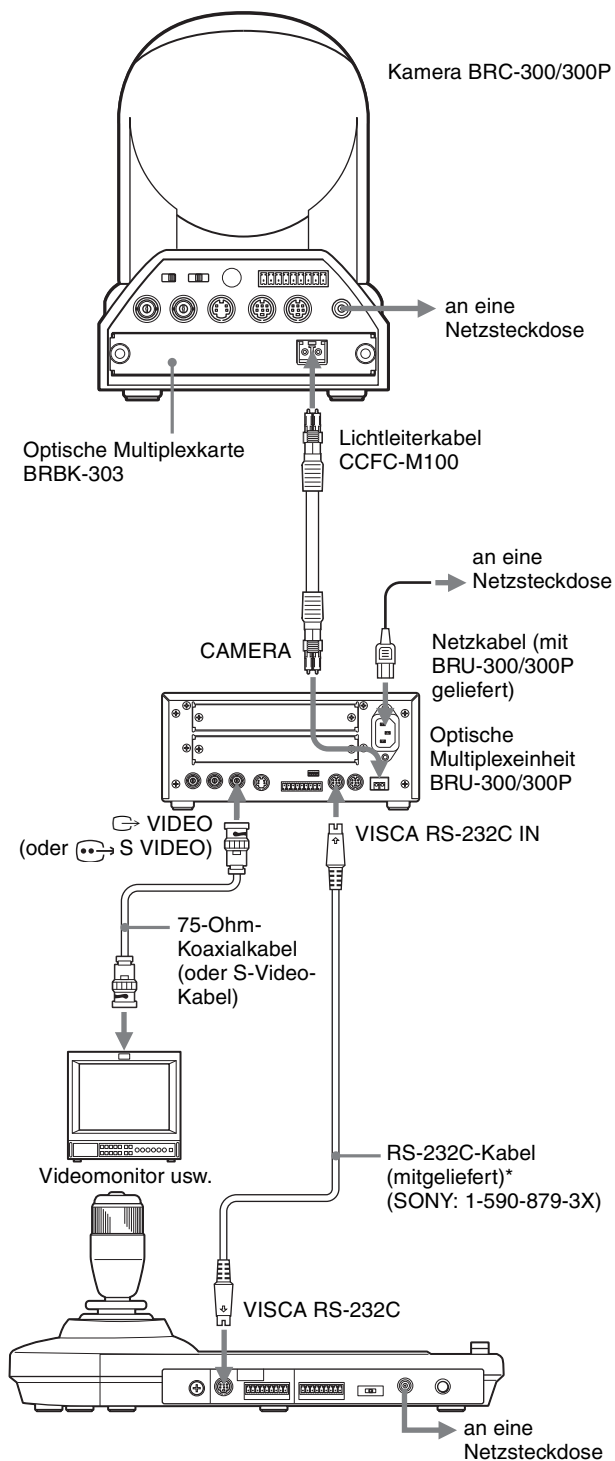
**Hinweise**

- Wenn Sie die VISCA RS-422-Buchsen verwenden wollen, vergewissern Sie sich, dass der DIP-Schalter an der Unterseite dieses Geräts (Seite 8) auf RS-422 eingestellt ist.
- Wenn die Verbindung über die VISCA RS-422-Buchsen hergestellt wird, ist die VISCA RS-232C-Verbindung nicht verfügbar.



## Anschluss der Optischen Multiplexeinheit BRU-300/300P

Die Kamera kann über die Optische Multiplexeinheit BRU-300/300P (nicht mitgeliefert) mit diesem Gerät gesteuert werden.



\* Bei Verwendung der VISCA RS-422-Buchsen ist auch die VISCA RS-422-Verbindung verfügbar.

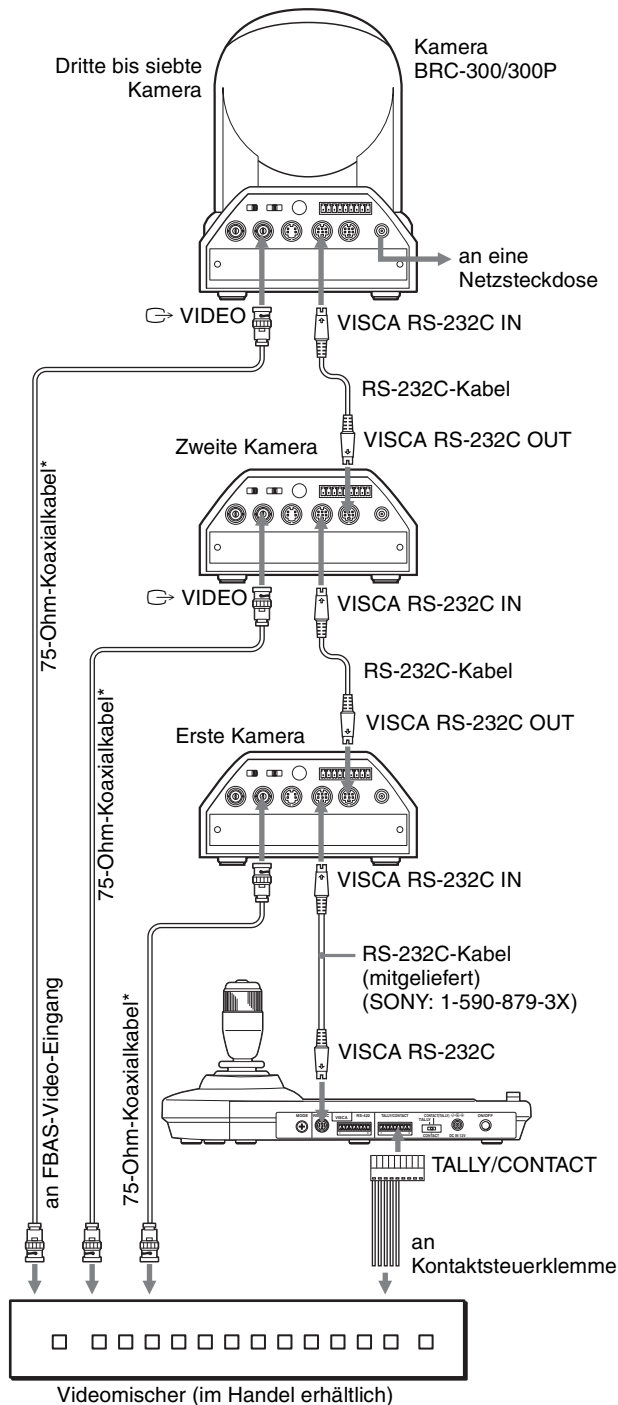
Im Falle der Kamera BRC-H700/H700P können Sie die Optische Multiplexeinheit BRU-H700/H700P benutzen, um die Kamera mit dieser Einheit zu steuern. Einzelheiten zum Anschluss entnehmen Sie bitte der Bedienungsanleitung der Kamera BRC-H700/H700P.

### Hinweis

Wenn Sie die VISCA RS-232C- oder die VISCA RS-422-Buchsen verwenden wollen, vergewissern Sie sich, dass der Schalter VISCA FUNCTION an der Rückseite der Optischen Multiplexeinheit und der DIP-Schalter an der Unterseite dieses Geräts (Seite 8) korrekt auf RS-232C bzw. RS-422 eingestellt sind.

## Anschluss eines Videomischers

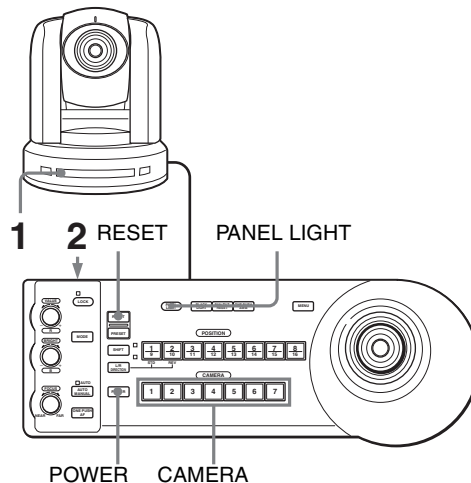
Verwenden Sie einen im Fachhandel erhältlichen Videomischer mit Kontaktsteuerung, um zwischen den auszugebenden Kamerasignalen umzuschalten.



\* Sie können auch die Buchse S VIDEO der Kamera über ein S-Video-Kabel mit der S-Video-Eingangsbuchse des Videomischers verbinden.

Weitere Einzelheiten über den Anschluss an einen Videomischer entnehmen Sie bitte der Bedienungsanleitung des Mischers.

## Einschalten



**1** Schließen Sie die Kamera an eine Netzsteckdose an.  
Die Stromversorgung der Kamera wird eingeschaltet, und die Lampe POWER leuchtet auf. Die Kamera führt automatisch eine Schwenk- und Neigebewegung aus und stellt sich auf die in POSITION 1 gespeicherte Position zurück (Schwenk-/Neigerückstellung).

**2** Schalten Sie dieses Gerät durch Drücken des Schalters ON/OFF ein.  
Die Taste CAMERA, die der zuletzt ausgeschalteten Kamera entspricht, leuchtet auf. (Die Taste CAMERA 1 leuchtet standardmäßig auf.)

**3** Schalten Sie die Peripheriegeräte ein.

### Hinweise

- Schalten Sie die Kamera unbedingt vor diesem Gerät ein. Anderenfalls kann das Gerät die angeschlossene Kamera nicht erkennen.
- Berühren Sie nicht den Joystick, wenn Sie das Gerät einschalten. Anderenfalls kann die Bestätigung des Nullpunkts beeinflusst werden.

### So schalten Sie die Kamera mit diesem Gerät ein und aus

Solange die Kamera an eine Netzsteckdose angeschlossen ist, kann sie mit der Taste POWER dieses Geräts ein- und ausgeschaltet werden.

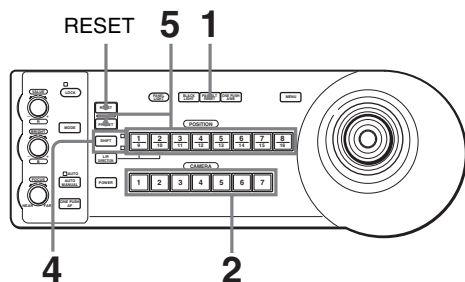
Während Sie die Taste POWER gedrückt halten, drücken Sie die Taste CAMERA, die der ein-/auszuschaltenden Kamera entspricht.

Wird die Kamera mit diesem Gerät ausgeschaltet, erlischt die Lampe POWER, und die Lampe STANDBY an der Kamera leuchtet auf.

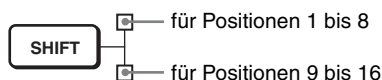
# Speichern der Kameraeinstellungen

## – Vorwahlfunktion

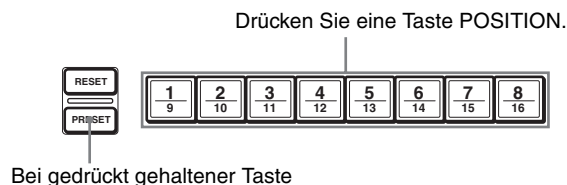
Bis zu sechzehn Einstellungskombinationen (sechzehn Positionen), einschließlich Kameraposition, Zoomeinstellung, Fokuseinstellung und Gegenlichtkompensation, können mit Hilfe dieses Geräts im Speicher der Kamera abgelegt werden.



- 1 Drücken Sie die Taste PAN-TILT RESET, um die Schwenk-/Neigeposition zurückzustellen.
- 2 Drücken Sie die Taste CAMERA zur Wahl der Kamera, deren Einstellungen Sie vorwählen wollen.
- 3 Stellen Sie die Position, Zoomeinstellung, Fokuseinstellung und Gegenlichtkompensation der Kamera ein.
- 4 Drücken Sie gegebenenfalls die Taste SHIFT länger als eine Sekunde, um die Funktion der Tasten POSITION 1 bis 8 zu wählen. (außer BRC-H700/H700P)  
Um die Positionen 1 bis 8 zu belegen, drücken Sie die Taste SHIFT, so dass die obere Anzeige aufleuchtet. Die Tasten POSITION 1 bis 8 können für die Positionen 1 bis 8 verwendet werden.  
Um die Positionen 9 bis 16 zu belegen, drücken Sie die Taste SHIFT, so dass die untere Anzeige aufleuchtet. Die Tasten POSITION 1 bis 8 können für die Positionen 9 bis 16 verwendet werden.



- 5 Während Sie die Taste PRESET gedrückt halten, drücken Sie eine der Tasten POSITION 1 bis 8, unter der Sie die Einstellungen speichern wollen. (außer BRC-H700/H700P)



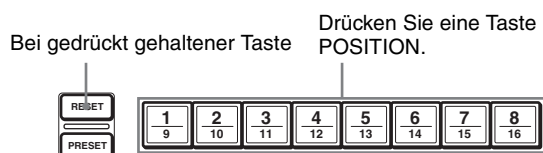
Die Einstellungen werden im Speicher der Kamera abgelegt.  
Die gedrückte Taste blinkt während des Speichervorgangs. Wenn der Speichervorgang beendet ist, hört das Blinken auf.

## So rufen Sie die gespeicherte Einstellung ab

Wählen Sie gegebenenfalls die Funktion der Tasten POSITION 1 bis 8, indem Sie die Taste SHIFT länger als eine Sekunde drücken. Drücken Sie eine der Tasten POSITION 1 bis 8, unter der Sie die Einstellungen gespeichert haben.

## So löschen Sie einen Vorwahlspeicher

Wählen Sie gegebenenfalls die Funktion der Tasten POSITION 1 bis 8 mit der Taste SHIFT. Während Sie die Taste RESET gedrückt halten, drücken Sie die Taste POSITION, deren Einstellungen Sie löschen wollen.



Die gedrückte Taste blinkt während der Löschung der Einstellungen. Das Blinken hört auf, wenn die Einstellungen gelöscht worden sind.

### Hinweise

- Wenn die Kamera eingeschaltet wird, ruft sie die in POSITION 1 gespeicherten Einstellungen ab.
- Sollen die vorherigen Schwenk-/Neigepositionen auch nach dem Aus- und Einschalten erhalten bleiben, speichern Sie diese Positionen unter POSITION 1 ab.
- Wenn Sie die Einstellungen einer POSITION speichern oder löschen, können Sie die Einstellungen einer anderen POSITION nicht abrufen, speichern oder löschen.

## So wählen Sie die Positionen 9 bis 16 für BRC-H700/H700P

Während Sie die Taste SHIFT gedrückt halten, drücken Sie die Taste PRESET (um die Einstellungen zu speichern oder abzurufen) oder die Taste RESET (um die Einstellungen aufzuheben). Die untere Anzeige leuchtet auf, und die Tasten POSITION 1 bis 8 können für die Positionen 9 bis 16 verwendet werden.

Wenn Sie die Taste SHIFT loslassen, leuchtet die obere Anzeige auf, und die Tasten POSITION 1 bis 8 können für die Positionen 1 bis 8 benutzt werden.

Im Falle der BRC-H700/H700P brauchen Sie die Taste SHIFT nicht länger als eine Sekunde zu drücken, um die Anzeige im Voraus umzuschalten.

## Einstellen der Bewegungsgeschwindigkeit der Kamera zu einer Vorwahlposition (nur BRC-300/300P und BRC-H700/H700P)

Sie können die Schwenk-/Neigegeschwindigkeit der Kamera wählen, wenn sie sich zu einer Vorwahlposition bewegt.

- 1** Drücken Sie die Taste CAMERA zur Wahl der Kamera, deren Geschwindigkeit Sie einstellen wollen.
- 2** Halten Sie die Taste POSITION, für die Sie die Geschwindigkeit einstellen wollen, länger als eine Sekunde gedrückt.  
Alle Tasten CAMERA, 1 bis 7, blinken.
- 3** Drücken Sie eine der Tasten CAMERA zur Wahl der Geschwindigkeit.

Taste CAMERA	Schwenk-/ Neigegeschwindigkeit
1	1°/Sek.
2	2,2°/Sek.
3	4,8°/Sek.
4	11°/Sek.
5	23,3°/Sek.
6	43°/Sek.
7	60°/Sek. (Vorgabe)

Nun bewegt sich die Kamera mit der gewählten Geschwindigkeit zu der unter der Taste POSITION gespeicherten Position.

## So stellen Sie die Geschwindigkeit der Kamerabewegung zu einer Vorwahlposition für BRC-H700/H700P ein

Um die Geschwindigkeit der Kamerabewegung zu einer Vorwahlposition zwischen 9 und 16 einzustellen, halten Sie die Taste SHIFT gedrückt, und drücken Sie die entsprechende Taste POSITION.

## Fehlerbehebung

Bevor Sie Ihr Gerät in Reparatur geben, überprüfen Sie die folgenden Punkte als Leitfaden zur Behebung des Problems. Falls sich das Problem nicht beheben lässt, wenden Sie sich an Ihren Sony-Händler.

<b>Symptom</b>	<b>Ursache</b>	<b>Abhilfemaßnahme</b>
Das Gerät lässt sich nicht einschalten.	Das Netzgerät ist nicht einwandfrei an die Buchse DC IN 12V angeschlossen.	Führen Sie das Stromversorgungskabel fest bis zum Anschlag ein.
	Das Netzkabel ist nicht fest an das Netzgerät oder die Netzsteckdose angeschlossen.	Führen Sie das Stromversorgungskabel fest bis zum Anschlag ein.
Die Kamera lässt sich nicht mit dem Gerät bedienen.	Der Anschluss an die VISCA RS-422-Buchsen wurde nicht korrekt ausgeführt.	Vergewissern Sie sich, dass der Anschluss an die VISCA RS-422-Buchsen korrekt ausgeführt wurde, und dass das RS-422-Kabel richtig angeschlossen ist.
	Die VISCA-Steuereinstellung ist nicht korrekt.	Wählen Sie die korrekte Einstellung (RS-232C oder RS-422) mit dem DIP-Schalter am Gerät (Seite 8).
	Die Einstellungen der Kommunikations-Baudrate an Kamera und Gerät stimmen nicht überein.	Stellen Sie die Kommunikations-Baudrate, 9.600 bps oder 38.400 bps, mit dem DIP-Schalter am Gerät (Seite 8) auf den an der Kamera eingestellten Wert ein.
Das Gerät lässt sich überhaupt nicht bedienen.	—	Ziehen Sie das Netzkabel von der Netzsteckdose ab, und schließen Sie es nach einer Weile wieder an.

# Technische Daten

## Ein-/Ausgänge

Steuereingang/-ausgang

VISCA RS-232C OUT: 8-polige

Mini-DIN-Buchse

VISCA RS-422: 9-polige Buchse

TALLY IN/CONTACT OUT: 9-polige  
Buchse

Steuersignalformat

9.600/38.400 bps

Daten: 8 Bit

Stopbit: 1

Stromversorgungseingang

JEITA Typ 4 (DC IN 12V)

## Allgemeines

Eingangsspannung

12 V Gleichstrom (10,8 bis 13,2 V  
Gleichstrom)

Leistungsaufnahme max.

0,2 A (bei 12 V Gleichstrom), 2,4 W

Betriebstemperatur

0°C bis +40°C

Lagertemperatur

-20°C bis +60°C

Abmessungen 391,3 × 185 × 145,9 mm (B/H/T)

Gewicht ca. 950 g

## Mitgeliefertes Zubehör

Netzgerät MPA-AC1 (Sony) (1)

Netzkabel (1)

RS-232C-Verbindungskabel (1)

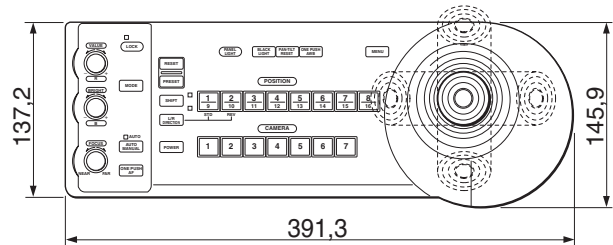
RS-422-Anschlussstecker (2)

Bedienungsanleitung (1)

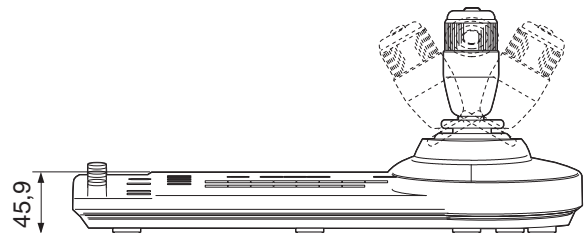
Änderungen, die dem technischen Fortschritt dienen,  
bleiben vorbehalten.

# Abmessungen

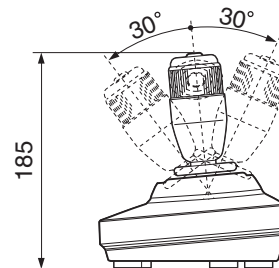
## Oberseite



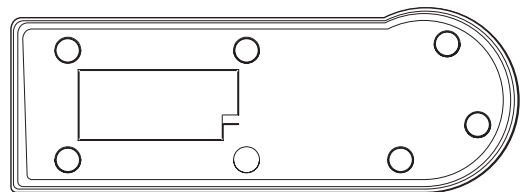
## Vorderseite



## Seite



## Unterseite



Einheit: mm

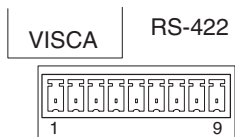
## Stiftbelegung

### VISCA RS-232C-Ausgangsbuchse (8-polige Mini-DIN, Buchse)



Stift-Nr.	Funktion
1	Kein Anschluss
2	Kein Anschluss
3	TXD IN
4	GND
5	RXD IN
6	GND
7	Kein Anschluss
8	Kein Anschluss

### VISCA RS-422-Buchse (Anschlussstecker, 9-polig)



Stift-Nr.	Funktion
1	Kein Anschluss
2	Kein Anschluss
3	Kein Anschluss
4	Kein Anschluss
5	GND
6	RXD IN-
7	RXD IN+
8	TXD IN-
9	TXD IN+

### Buchse TALLY/CONTACT (Anschlussstecker, 9-polig)

TALLY/CONTACT

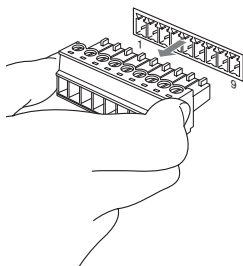


Stift-Nr.	Funktion
1	CAMERA1
2	CAMERA2
3	CAMERA3
4	CAMERA4
5	CAMERA5
6	CAMERA6
7	CAMERA7
8	GND
9	GND

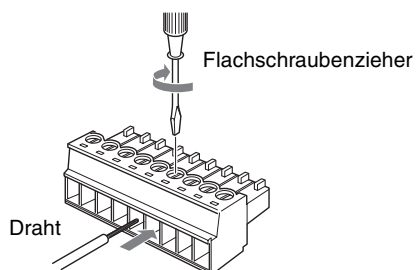


## Verwendung des VISCA RS-422-Anschlusssteckers

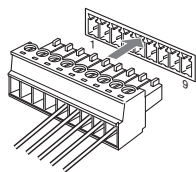
- 1 Halten Sie beide Seiten des VISCA RS-422-Anschlusssteckers, und ziehen Sie ihn heraus, wie in der Abbildung gezeigt.



- 2 Führen Sie einen Draht (AWG Nr. 28 bis 18) in die gewünschte Öffnung des Steckers ein, und ziehen Sie die Schraube für diesen Draht mit einem Flachschaubenzieher an.



- 3 Führen Sie den VISCA RS-422-Anschlussstecker in die VISCA RS-422-Buchse ein.



### Hinweise

- Um den Spannungspegel des Signals zu stabilisieren, sind beide Enden mit Masse (GND) zu verbinden.
- Wenn die Verbindung über die VISCA RS-422-Buchsen hergestellt wird, ist die VISCA RS-232C-Verbindung nicht verfügbar.
- Die maximale Länge der VISCA RS-422-Verbindung beträgt ungefähr 1.200 m.







Printed on 100% recycled paper.

Sony Corporation

<http://www.sony.net/>

Printed in Japan