

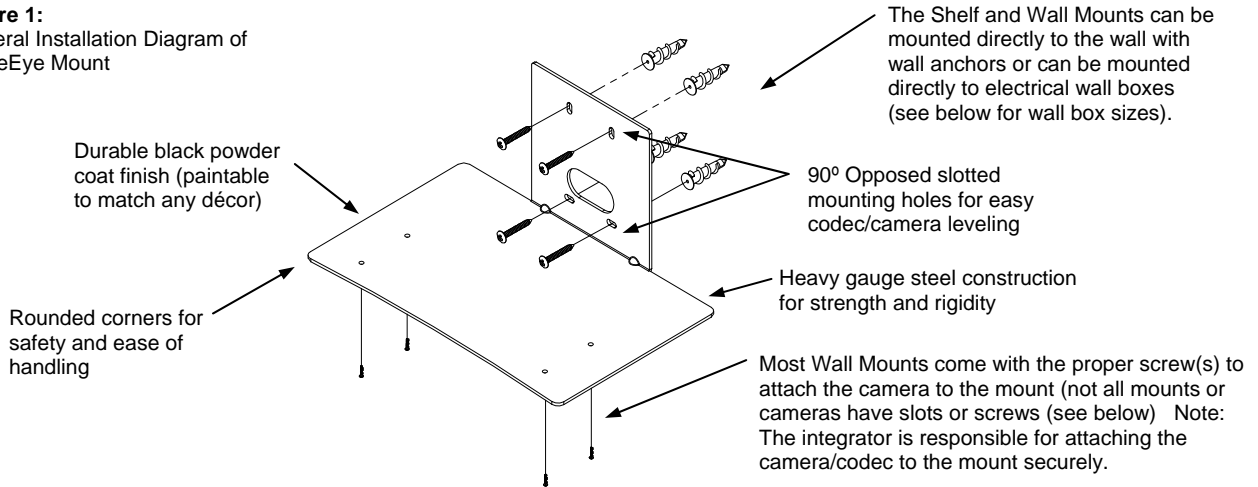
## Vaddio™ Wall Mount Shelf and Thin Profile Camera Mounts for Polycom® EagleEye and PowerCam Cameras




Wall Mount Shelf for Polycom® VSX Series Set-Top Codecs - Model Number 535-2000-220

Thin Profile Wall Mount for the Polycom EagleEye High-Resolution Camera - Model Number 535-2000-221

Thin Profile Wall Mount for Polycom PowerCam PTZ Camera - Model Number 535-2000-219

**Figure 1:**  
General Installation Diagram of EagleEye Mount



Wall Mount Shelf for VSX Set-top Series Codecs (535-2000-220)	Thin Profile Wall Mount for EagleEye Camera (535-2000-221)	Thin Profile Wall Mount for PowerCam Camera (535-2000-219)
		
<p><b>Includes:</b></p> <ul style="list-style-type: none"> <li>One (1) Wall Mount Shelf for Polycom VSX Set-Top Codec (fits VSX-7000, VSX-6000 and VSX-5000)</li> <li>Four (4) - 800-616 (#8 x 1.25 sheet metal screws)</li> <li>Four(4) – 800-817 (EZ Anchors – self drilling wall anchors)</li> <li>Install Guide</li> <li>Can be mounted to 3-gang box <i>(Codec not included)</i></li> </ul>	<p><b>Includes:</b></p> <ul style="list-style-type: none"> <li>One (1) Thin Profile Wall Mount for Polycom EagleEye HD Camera</li> <li>Four (4) - 800-616 (#8 x 1.25 sheet metal screws)</li> <li>Four(4) – 800-817 (EZ Anchors – self drilling wall anchors)</li> <li>Four (4) M3 x 6mm Screws</li> <li>Install Guide</li> <li>Can be mounted to 2-gang box <i>(Camera not included)</i></li> </ul>	<p><b>Includes:</b></p> <ul style="list-style-type: none"> <li>One (1) Thin Profile Wall Mount for Polycom PowerCam (Camera not included)</li> <li>One (1) ¼"-20 Mounting Screw</li> <li>Four (4) #6 x 1" Sheet Metal Screws</li> <li>Four (4) Conical Wall Anchors</li> <li>Install Guide</li> <li>Can be mounted to 2-gang box <i>(Camera not included)</i></li> </ul>

### MOUNTING THE CODEC/CAMERA:

The Thin Profile Wall Mounts for the Polycom EagleEye and PowerCam can be mounted to an electrical wall box or mounted directly to a drywall surface with the supplied wall anchors or other spiral type wall anchors of the Integrator's choice. The Wall Mount Shelf for the VSX Codec can be mounted to a 3-gang wall box or mounted directly to a drywall surface as well. Note: When locating the camera, consider viewing angles, lighting conditions, line of site obstructions and check for in-wall obstructions where the camera is to be mounted. Pick a location to optimize the performance of the camera. The integrator is responsible for attaching the camera/codec to the mount securely.

### INTENDED USE:

These products were designed, built and tested for use indoors and to support the weight, size and shape of the prescribed products only. Using these mounts for any other devices could damage that device and/or create potentially unsafe operating conditions.

### HARDWARE WARRANTY:

Please see the Vaddio website at <http://www.vaddio.com> for the Vaddio Statement of Warranty for all Vaddio Products. The Statement of Warranty covers the policies and procedures of the Hardware Warranty, Exclusions, Customer Service, Technical Support, Return Material Authorizations (RMA), Voided Warranty, Shipping and Handling and Products Not Under Warranty. The Vaddio Warranty Statement supersedes all other published warranty statements in content and coverages. Vaddio Technical Support can be contacted through the Vaddio website or through e-mail support at <mailto:support@vaddio.com>.