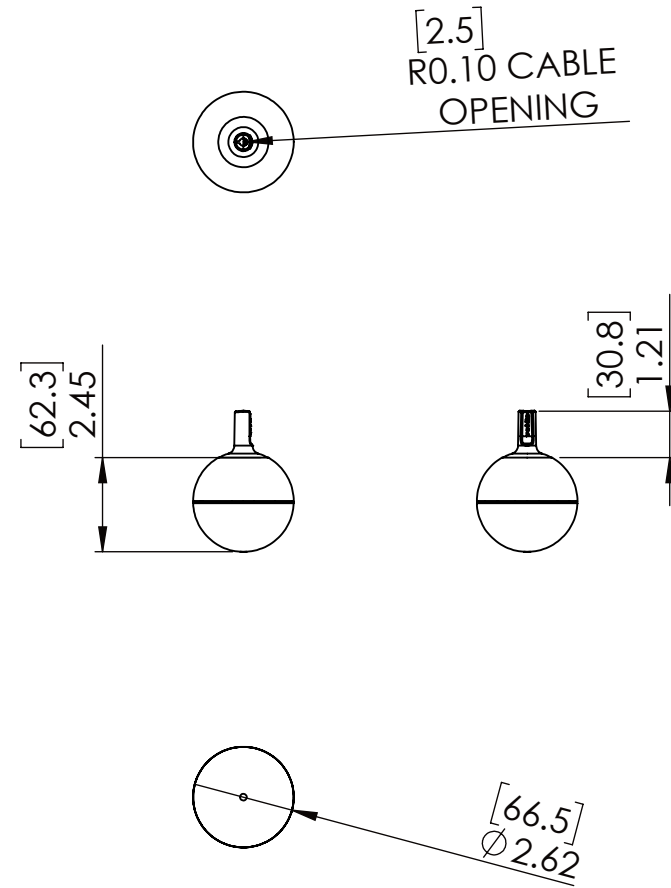
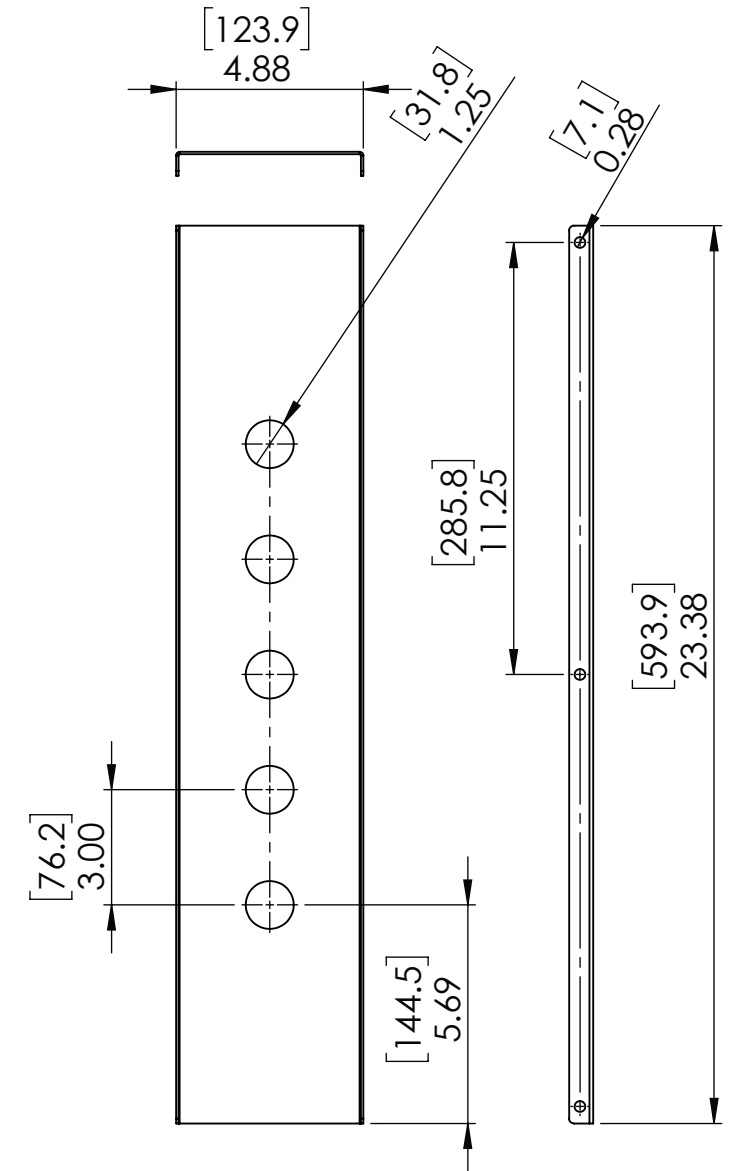


998-85100 CEILING MIC I/F BOX



998-85110 CEILING MIC



342-1463 TILE BRACE

UNLESS OTHERWISE NOTED:  
 DIMENSIONS ARE IN INCHES  
 DIMENSIONAL LIMITS APPLY AFTER FINISH  
 MACHINED SURFACES 125 ✓  
 EDGES & FILLETS R .005/.015  
 FRACTIONS ± 1/32  
 ANGLES ± 1°  
 DEC. .XX = ± .015  
 .XXX = ± .005  
 .XXXX = ± .0002

THIS DRAWING, INCLUDING ALL SUBJECT MATTERS INDICATED THERON OR DERIVED THEREFROM, COMPRISES PROPRIETARY INFORMATION AND IS THE EXPRESS PROPERTY OF VADDIO LLC. EMPLOYMENT, REPRODUCTION OF OR DISSEMINATION OF THIS DRAWING, IN WHOLE OR IN PART, WITHOUT WRITTEN PERMISSION OF VADDIO LLC IS STRICTLY FORBIDDEN.



DRAWN CMM	CHECKED	APPROVED	DATE
MATERIAL			SIZE B
FINISH			SCALE 1:5

REV.	E.C.O.	DESCRIPTION	BY	DATE	TITLE	SHEET	DRAWING NO.	REV.
					CEILING MIC, MIC I/F BOX, TILE BRACE	1 OF 1	998-85100	01