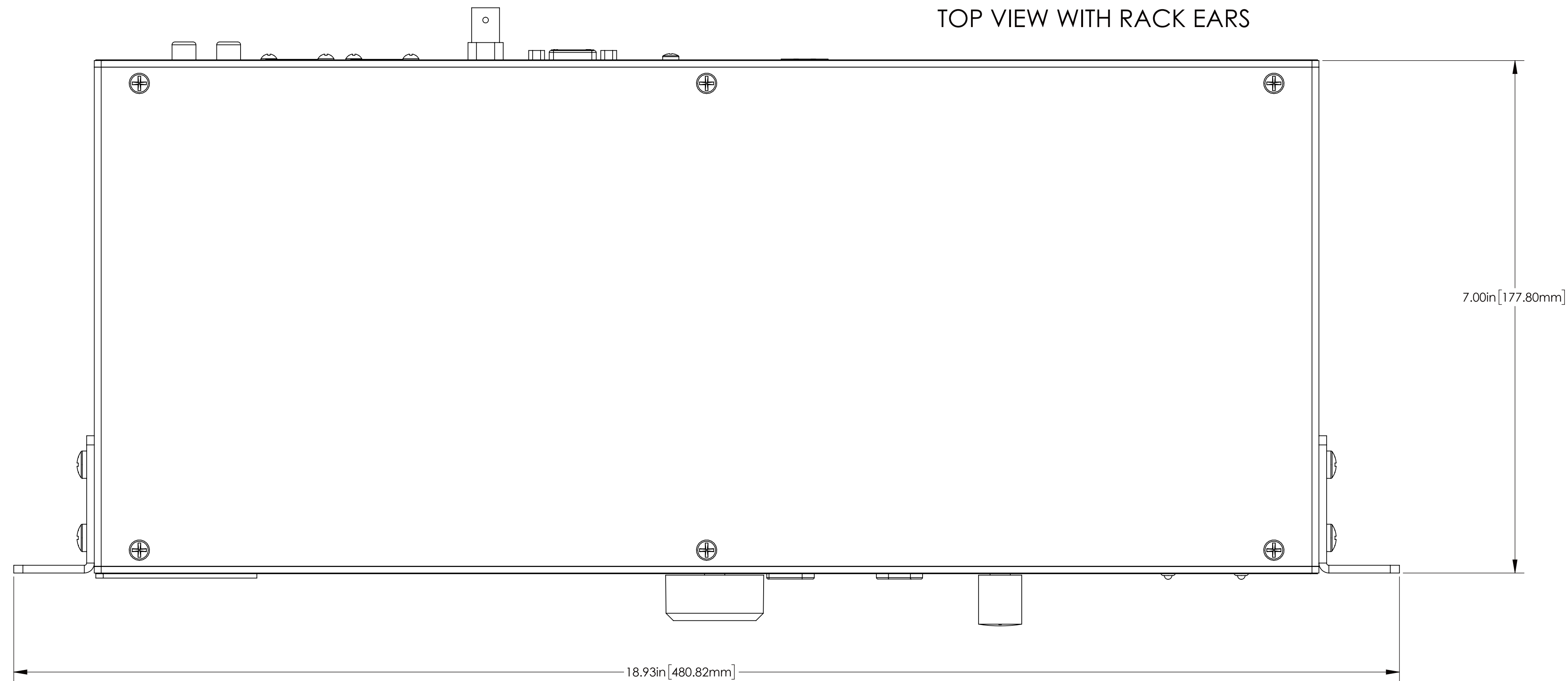
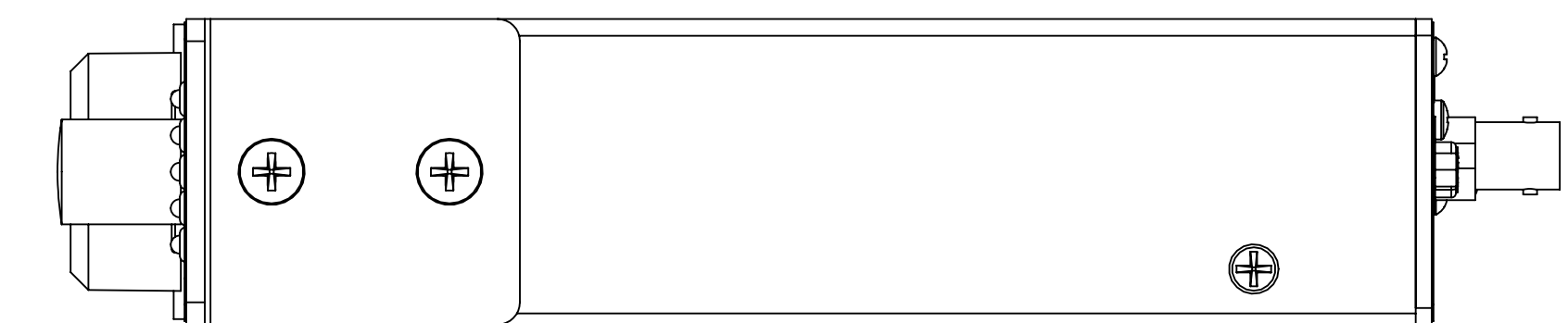


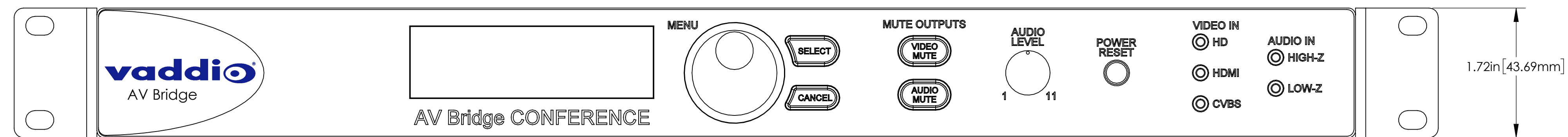
TOP VIEW WITH RACK EARS



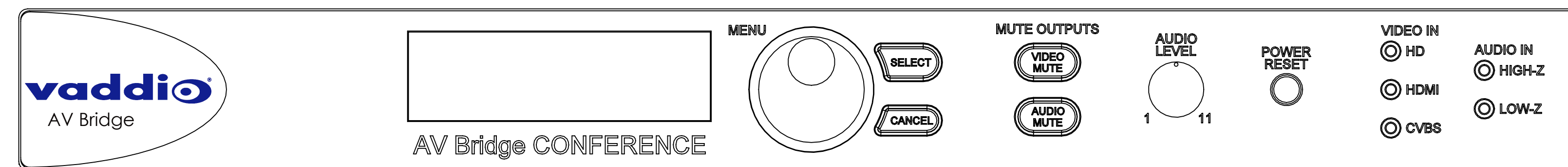
SIDE VIEW WITH RACK EARS



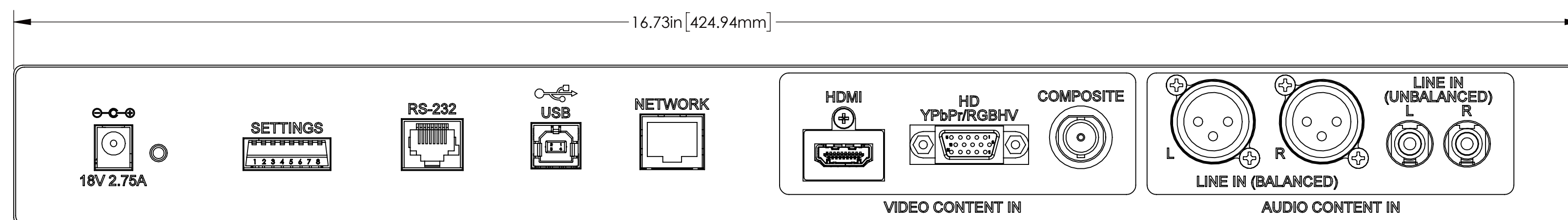
DRAWING NO.
8215-000



FRONT PANEL WITH RACK EARS



FRONT PANEL
WITHOUT RACK EARS



REAR PANEL CONNECTIONS

AV Bridge CONFERENCE Video Encoder Featuring 2-Way Audio
System P/N: 999-8215-000 NA / 999-8215-001I'ntl

UNLESS OTHERWISE NOTED: DIMENSIONS ARE IN INCHES DIMENSIONAL LIMITS APPLY AFTER FINISH		THIS DRAWING, INCLUDING ALL SUBJECT MATTERS INDICATED THEREON OR DERIVED THEREFROM, COMPREHENSIVE PROPRIETARY INFORMATION AND IS THE EXPRESS PROPERTY OF LEGRAND AV INC. EMPLOYMENT, REPRODUCTION OR DISSEMINATION OF THIS DRAWING, IN WHOLE OR IN PART, WITHOUT WRITTEN PERMISSION OF LEGRAND AV INC. IS STRICTLY FORBIDDEN.		
MACHINED SURFACES 125	EDGES & FILLETS R .005/015			
FRACTIONS ± 1/32	ANGLES ± 1°			
DEC. XX = ± .015	XXX = ± .005			
FINISH: NONE	XXXX = ± .0002			
DRAWN: RAR				CHECKED:
MATERIAL: VARIOUS		SCALE: D		SIZE: 1:1
TITLE: AV BRIDGE CONFERENCE ASSEMBLY		SHEET: 1 OF 1	DRAWING NO.: 8215-000	REV: B