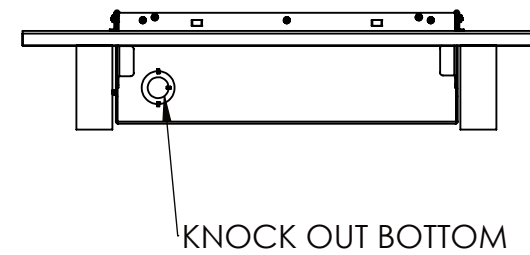
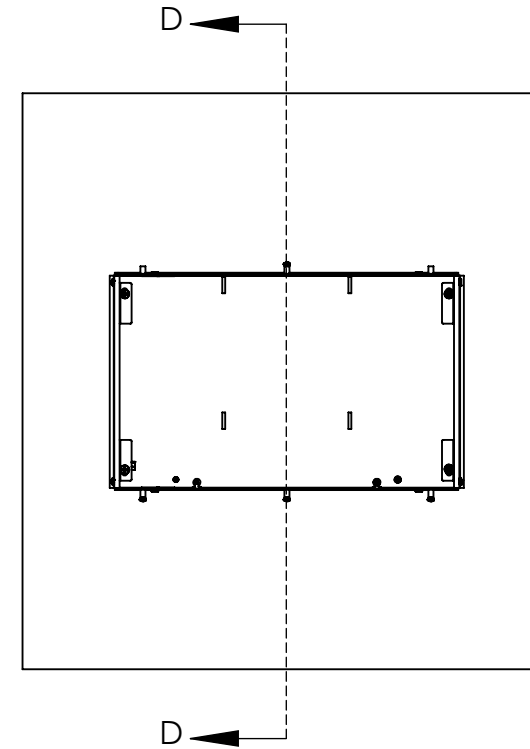
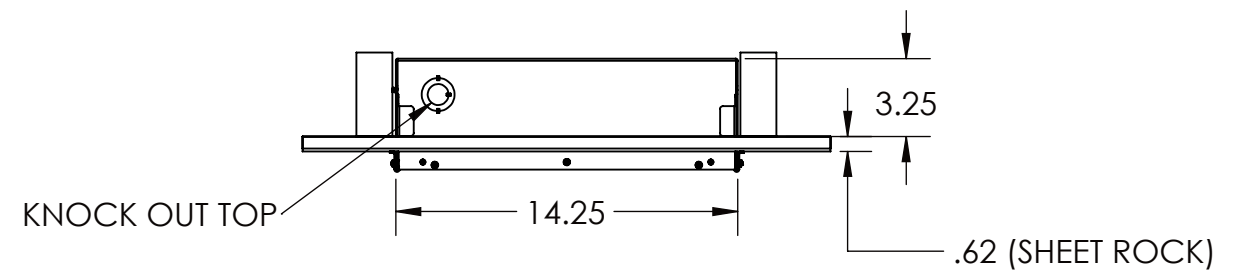
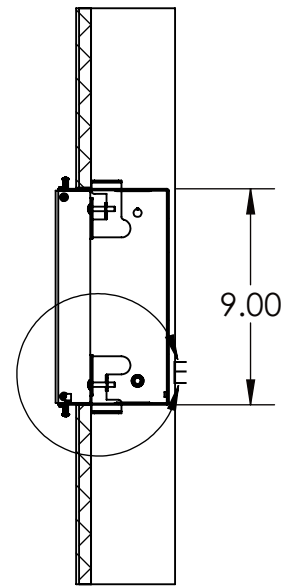


KNOCK OUT FOR MOUNTING ENCLOSURE
TO 16 INCH ON CENTER STUDS.



UNLESS OTHERWISE NOTED:

DIMENSIONS ARE IN INCHES
DIMENSIONAL LIMITS APPLY
AFTER FINISH

MACHINED SURFACES 125 ✓

EDGES & FILLETS R .005/.015

FRACTIONS ± 1/32

ANGLES ± 1°

DEC. .XX = ± .015

.XXX = ± .005

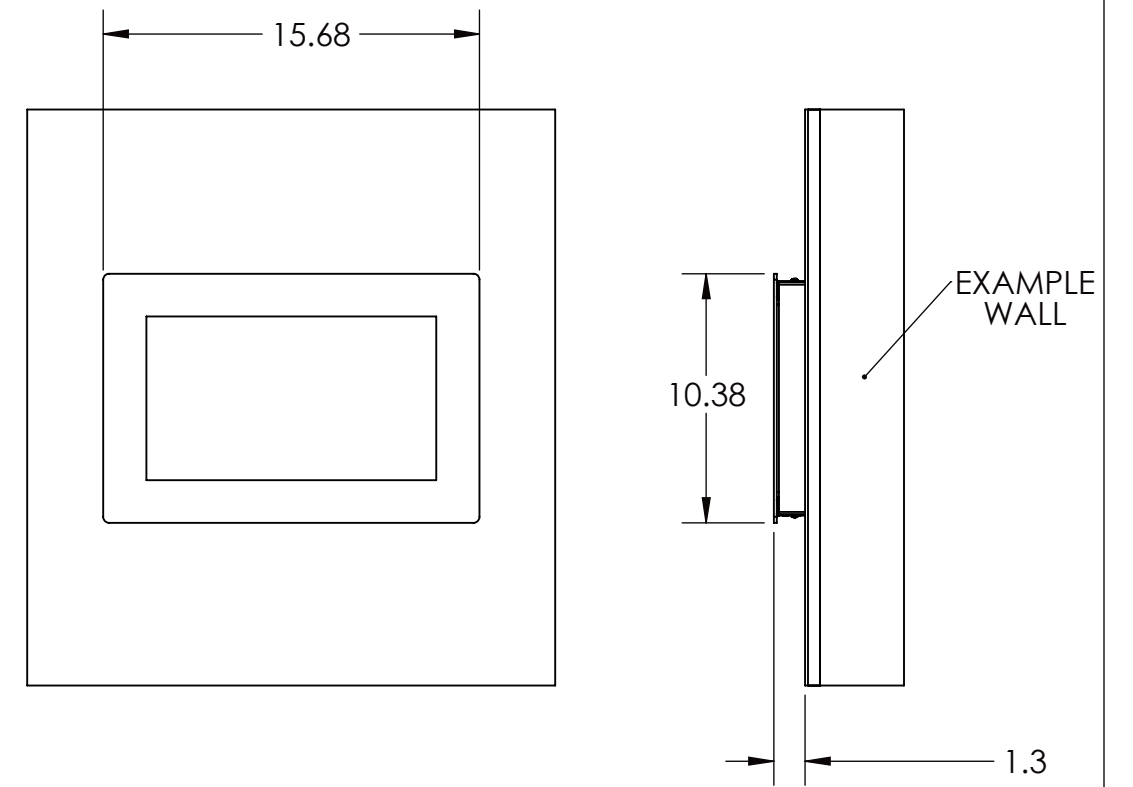
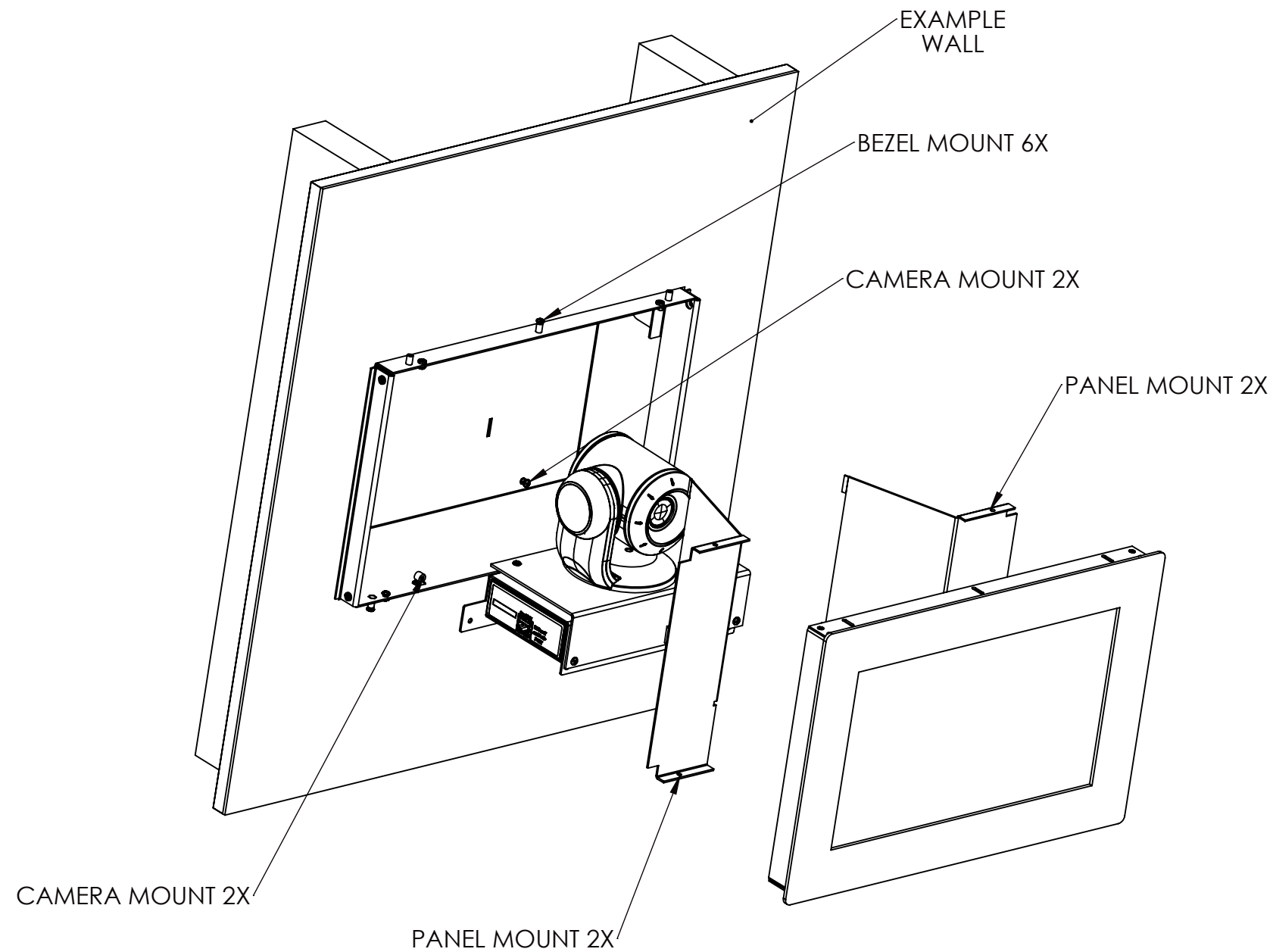
.XXXX = ± .0002

THIS DRAWING, INCLUDING ALL SUBJECT MATTERS INDICATED THERON OR DERIVED THEREFROM, COMPRISES PROPRIETARY INFORMATION AND IS THE EXPRESS PROPERTY OF VADDIO LLC. EMPLOYMENT, REPRODUCTION OF OR DISSEMINATION OF THIS DRAWING, IN WHOLE OR IN PART, WITHOUT WRITTEN PERMISSION OF VADDIO LLC IS STRICTLY FORBIDDEN.



DRAWN CMM	CHECKED	APPROVED	DATE 4/4/18
MATERIAL			SIZE B
FINISH			SCALE

REV.	E.C.O.	DESCRIPTION	BY	DATE	TITLE	SHEET	DRAWING NO.	REV.
					IW INSTALLATION AND DIMENSIONS	1 OF 2	998-9965 IW	01



NETWORK PoE CABLE CONNECTS THROUGH KNOCK OUT ON TOP OR BOTTOM OF ROUGH IN BOX.

UNLESS OTHERWISE NOTED:
 DIMENSIONS ARE IN INCHES
 DIMENSIONAL LIMITS APPLY AFTER FINISH
 MACHINED SURFACES 125 ✓
 EDGES & FILLETS R .005/.015
 FRACTIONS ± 1/32
 ANGLES ± 1°
 DEC. .XX = ± .015
 .XXX = ± .005
 .XXXX = ± .0002

THIS DRAWING, INCLUDING ALL SUBJECT MATTERS INDICATED THEREON OR DERIVED THEREFROM, COMPRISES PROPRIETARY INFORMATION AND IS THE EXPRESS PROPERTY OF VADDIO LLC. EMPLOYMENT, REPRODUCTION OF OR DISSEMINATION OF THIS DRAWING, IN WHOLE OR IN PART, WITHOUT WRITTEN PERMISSION OF VADDIO LLC IS STRICTLY FORBIDDEN.



DRAWN CMM	CHECKED	APPROVED	DATE 4/4/18
MATERIAL			SIZE B
FINISH			SCALE

REV.	E.C.O.	DESCRIPTION	BY	DATE	TITLE IW INSTALLATION AND DIMENSIONS	SHEET 2 OF 2	DRAWING NO. 998-9965 IW	REV. 01
------	--------	-------------	----	------	--	------------------------	-----------------------------------	-------------------