

# Quiet-Cool Series

## Component Cooler

Powerful and quiet way to remove heat from system components on open shelving or in racks

### FEATURES

- Extends equipment life
- 50 CFM models available
- Designed to pull hot air up out of a component and direct it where desired
- Standalone (50 CFM) and Platform (50 CFM) models available
- Fan activates automatically at 87°F/30.5°C, turns off at 85°F/29°C



COMP-COOL50P



COMP-COOL50



Includes Power Supply



COMP-COOL50P Shown Installed



COMP-COOL50 shown installed

### SPECIFICATIONS

Component Cooler shall be Middle Atlantic Products model # (I)COMP-COOL50. Component Cooler shall have a black finish. Component Cooler shall activate at 87°F (30.5°C), and switch off at 85°F (29.4°C). Component Cooler shall displace 50 CFM with maximum decibel level of 29 dB (measurements made 1 meter from source, centered horizontally and vertically). Component Cooler shall include 1 fan, and one fan controller/temperature sensor. Component Cooler shall be \_\_\_ (Standalone, Platform, see chart.) Platform model shall be capable of being rotated in 90° increments. Component Cooler shall be manufactured by an ISO 9001 and ISO 14001 registered company. Component Cooler shall be warranted to be free from defects in materials and workmanship under normal use and conditions for a period of 3 years. Component Cooler shall include a UL Listed 12V DC power supply and temperature probe with a 9' cord.

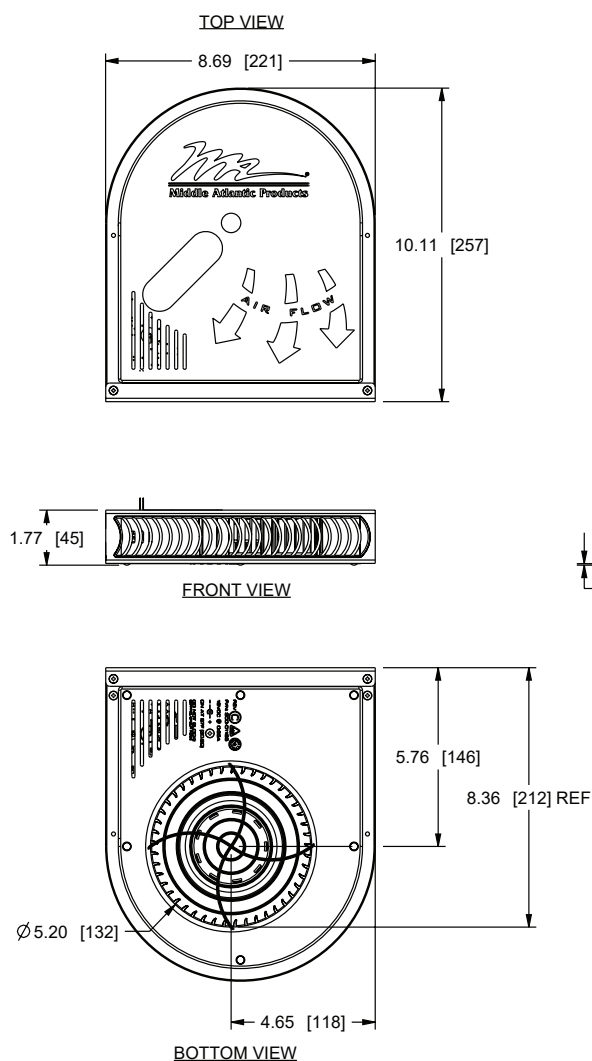
USA P 800.266.7225 E av.middleatlantic.support@legrand.com  
CANADA P 888.766.9770 P av.middleatlantic.support@legrand.com

LEGRAND | AV COMMERCIAL BRANDS  
C2G | Chief | Da-Lite | Luxul | Middle Atlantic | Vaddio | Wiremold

WHAT GREAT SYSTEMS ARE BUILT ON™ | legrandav.com

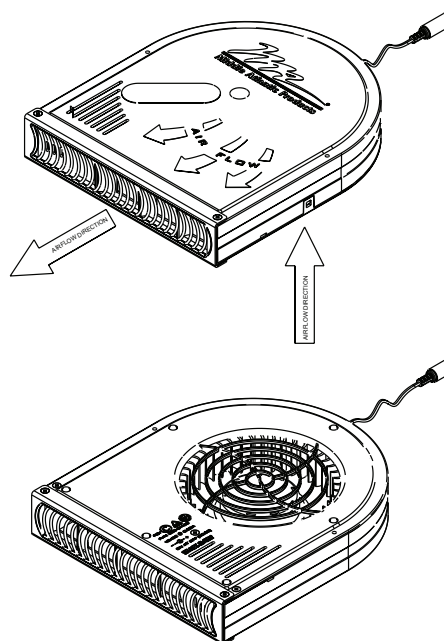
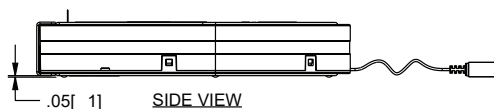
# Quiet-Cool Series Component Cooler

## Basic Dimensions



### NOTES:

- Fan specifications
  - Airflow: 50 CFM [1.4 M<sup>3</sup>/min]
  - Current draw: 550mA @ 12 vdc
  - Sound level: 29 dBA @ 1 M
  - Static pressure: 0.31 In H<sub>2</sub>O [77.22 Pa]
  - Turn on: 87°F [30.5c]
  - Turn off: 85°F [29.4c]
- COMP-COOL50 shown. International model, ICOMP-COOL50, comes with a universal voltage plug-in power supply and adapters.
- Dimension format shown: in [mm]

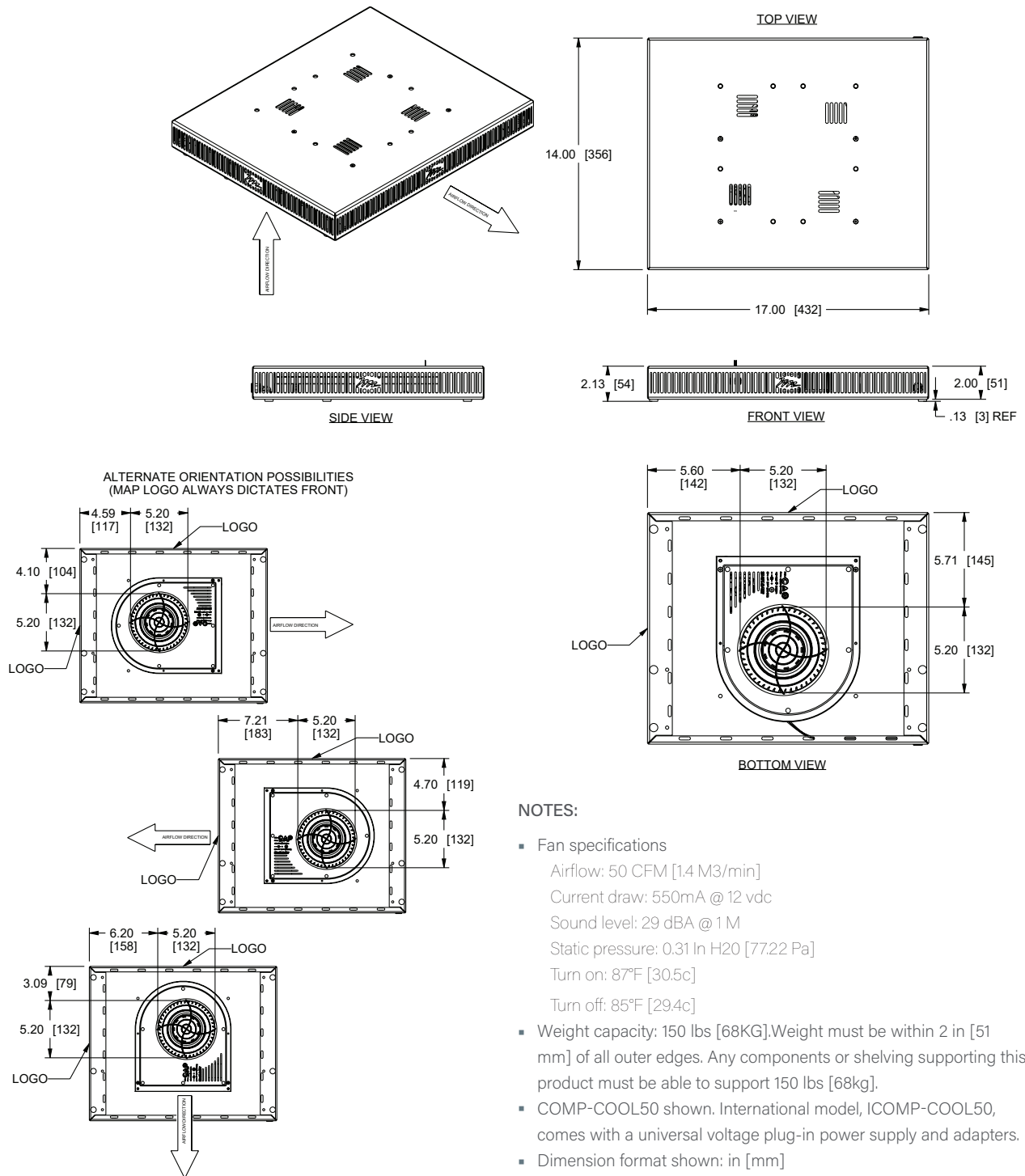


USA P 800.266.7225 E av.middleatlantic.support@legrand.com  
CANADA P 888.766.9770 P av.middleatlantic.support@legrand.com

LEGRAND | AV COMMERCIAL BRANDS  
C2G | Chief | Da-Lite | Luxul | Middle Atlantic | Vaddio | Wiremold

# Quiet-Cool Series Component Cooler

## Basic Dimensions



### NOTES:

- Fan specifications
  - Airflow: 50 CFM [14 M3/min]
  - Current draw: 550mA @ 12 vdc
  - Sound level: 29 dBA @ 1M
  - Static pressure: 0.31 In H2O [77.22 Pa]
  - Turn on: 87°F [30.5c]
  - Turn off: 85°F [29.4c]
- Weight capacity: 150 lbs [68KG]. Weight must be within 2 in [51 mm] of all outer edges. Any components or shelving supporting this product must be able to support 150 lbs [68kg].
- COMP-COOL50 shown. International model, ICOMP-COOL50, comes with a universal voltage plug-in power supply and adapters.
- Dimension format shown: in [mm]

USA P 800.266.7225 E av.middleatlantic.support@legrand.com  
CANADA P 888.766.9770 P av.middleatlantic.support@legrand.com

LEGRAND | AV COMMERCIAL BRANDS  
C2G | Chief | Da-Lite | Luxul | Middle Atlantic | Vaddio | Wiremold