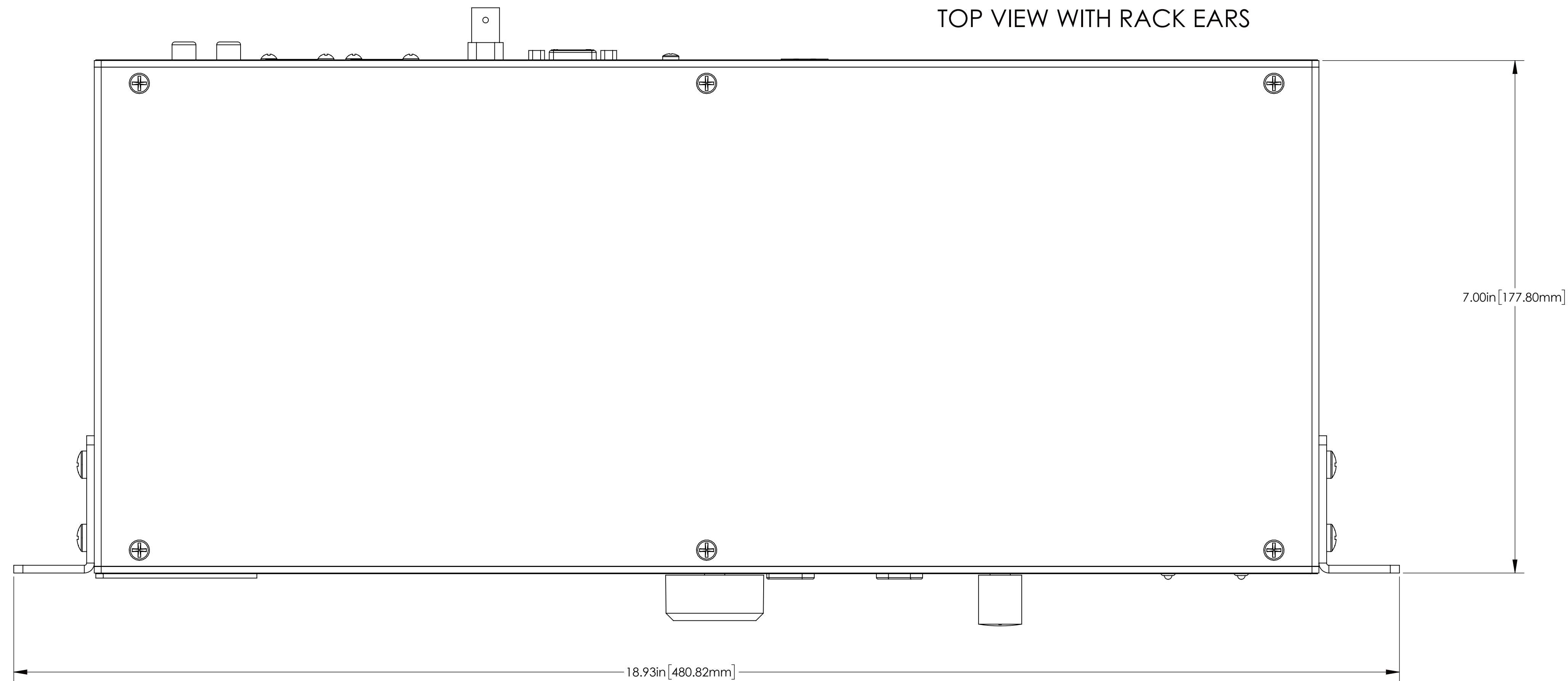
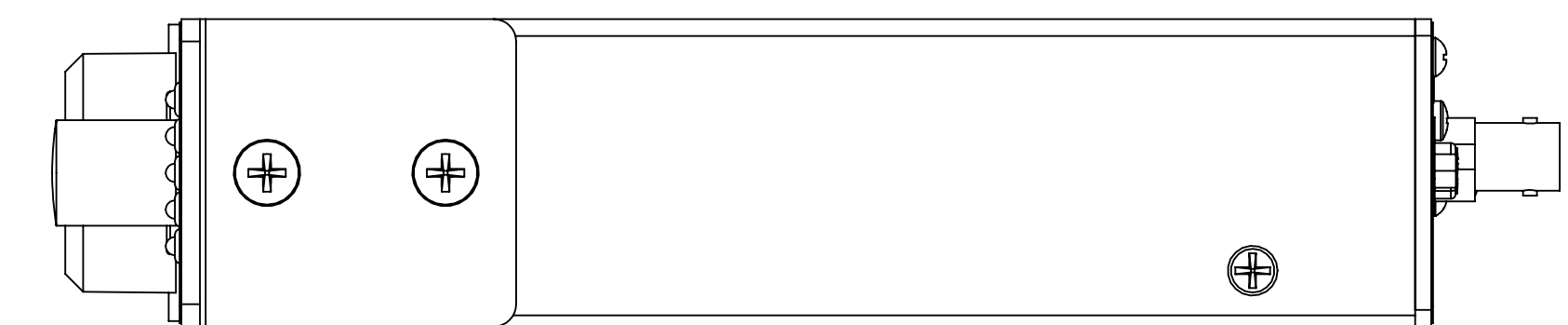


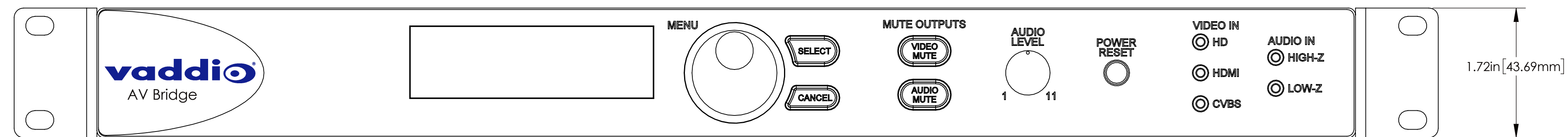
TOP VIEW WITH RACK EARS



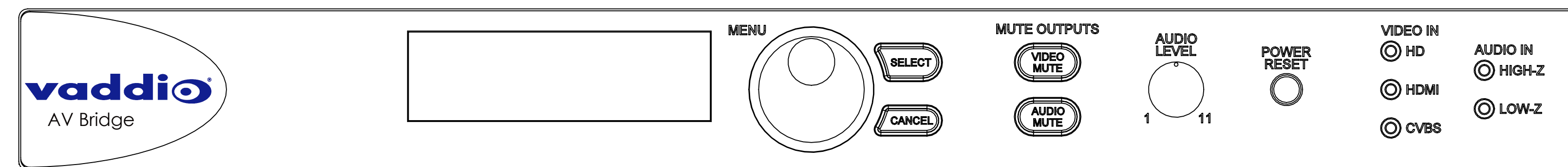
SIDE VIEW WITH RACK EARS



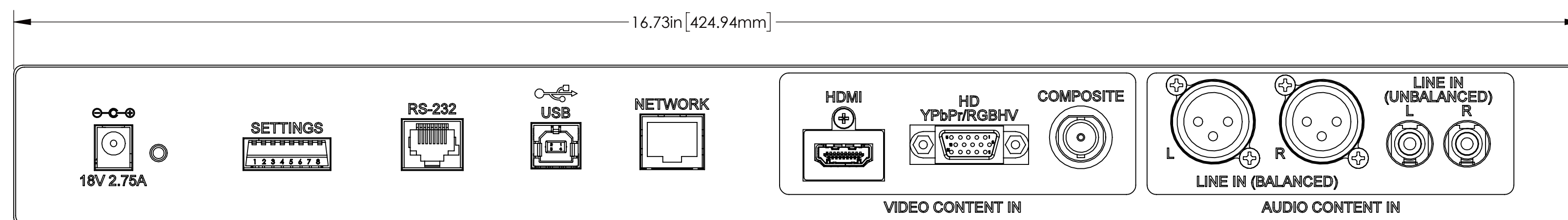
DRAWING NO.  
8210-X



FRONT PANEL WITH RACK EARS




FRONT PANEL  
WITHOUT RACK EARS



REAR PANEL CONNECTIONS

AV Bridge - HD Video Encoder  
System P/N: 999-8210-000/001

|   |                            |  |                     |               |
|---|----------------------------|--|---------------------|---------------|
| UNLESS OTHERWISE NOTED:<br>DIMENSIONS ARE IN INCHES<br>DIMENSIONAL LIMITS APPLY<br>AFTER FINISH |                            | THIS DRAWING, INCLUDING ALL SUBJECT MATTERS INDICATED THEREON OR DERIVED<br>THEREFROM, COMPREHENSIVE PROPRIETARY INFORMATION AND IS THE EXPRESS PROPERTY OF<br>LEGRAND AV INC. EMPLOYMENT, REPRODUCTION OF OR DISSEMINATION OF THIS DRAWING,<br>IN WHOLE OR IN PART, WITHOUT WRITTEN PERMISSION OF LEGRAND AV INC. IS STRICTLY<br>FORBIDDEN. |                     |               |
| MACHINED SURFACES 125   | EDGES & FILLETS R .005/015 |   |                     |               |
| FRACTIONS ± 1/32  | ANGLES ± 1°                |  |                     |               |
| DEC. XX = ± .015  | XXX = ± .005               |  |                     |               |
| XXXX = ± .0002  | FINISH: NONE               |  |                     |               |
| DRAWN: RAR  |                            | CHECKED:   | APPROVED:           | DATE: 10/3/12 |
| MATERIAL: VARIOUS   |                            | SIZE: D  |                     | SCALE: 1:1    |
| TITLE: AV BRIDGE ASSEMBLY   |                            | SHEET: 1 OF 1  | DRAWING NO.: 8210-X | REV: B        |